

Features

- 27-inch minimum base cabinet width.
- Single bowl.
- 9-inch depth.
- No faucet holes.
- Rear drain increases workspace in the sink and allows for more storage space underneath the sink.
- SilentShield® sound-absorption technology offers quieter performance.
- Includes a combination dishcloth bar/utility shelf and a bottom sink rack.
- Includes installation hardware.
- Rounded 10mm corners are easy to clean.

Material

- Handcrafted from 16-gauge stainless steel.
- Premium 16-gauge stainless steel.

Installation

- Under-mount.

Recommended Products/Accessories

- K-6645 Sink Rack
- K-8801 Sink Strainer
- K-8799 Sink Strainer

Optional Products/Accessories

- K-11352 Disposal Flange with Stopper

Included Components

Additional Components:

- Cut-out template
- Hardware kit

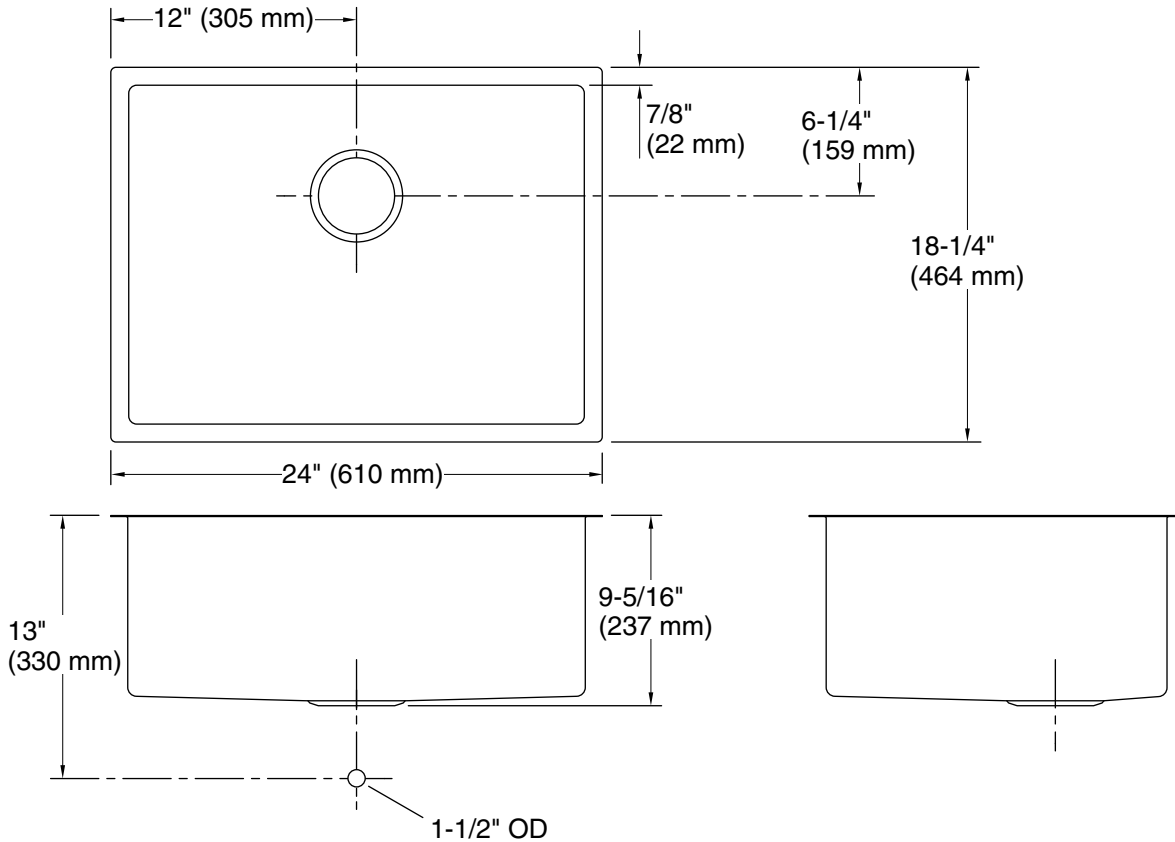


Codes/Standards

ASME A112.19.3/CSA B45.4

Lifetime Limited Warranty for KOHLER® Stainless Steel Sinks

See website for detailed warranty information.



Technical Information

All product dimensions are nominal.

Bowl configuration:	Single
Installation:	Under-mount
Min. base cabinet width:	27" (686 mm)
Bowl area:	Length: 22-1/4" (565 mm) Width: 16-1/2" (419 mm) Bowl depth: 9-5/16" (237 mm) Water depth: 9" (229 mm)
Template:	1207218-7, required, included

Notes

Install this product according to the installation instructions.