



Undertone® Preserve®

Under-Mount Kitchen Sink

K-5290-HCF

Features

- 36-inch minimum base cabinet width.
- Single bowl.
- 9-inch depth.
- No faucet holes.
- Innovative Preserve™ sink resists scratching and withstands everyday wear and tear.
- SilentShield® sound-absorption technology offers quieter performance.
- Includes bottom sink rack.
- Includes installation hardware.

Material

- Premium 18-gauge stainless steel.

Installation

- Under-mount.

Recommended Products/Accessories

- K-5474 Sink Rack
- K-6388 Sink Rack
- K-8801 Sink Strainer
- K-8799 Sink Strainer

Optional Products/Accessories

- K-11352 Disposal Flange with Stopper

Included Components

- Product consists of:
- K-5474 Sink Rack

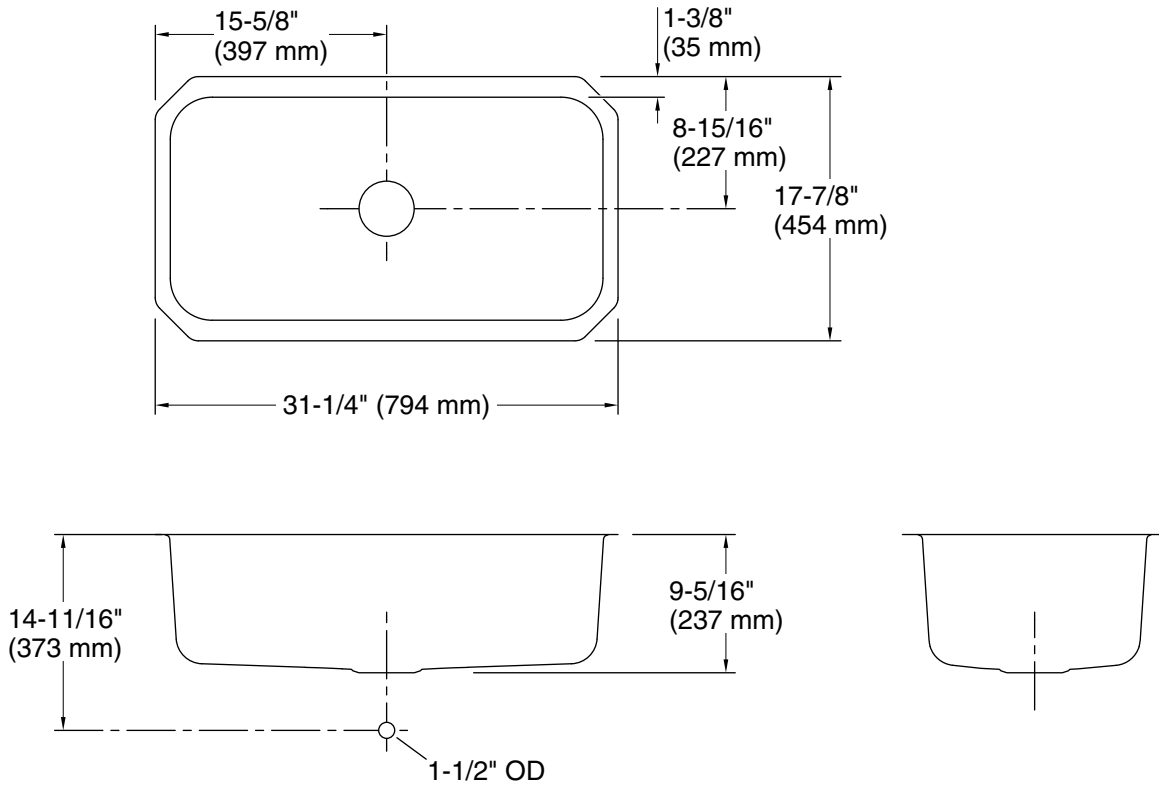


Codes/Standards

ASME A112.19.3/CSA B45.4

Lifetime Limited Warranty for KOHLER® Stainless Steel Sinks

See website for detailed warranty information.



Technical Information

All product dimensions are nominal.

Bowl configuration:	Single
Installation:	Under-mount
Min. base cabinet width:	36" (914 mm)
Bowl area (Only):	Length: 29-3/16" (742 mm) Width: 15-1/16" (383 mm) Bowl depth: 9" (229 mm) Water depth: 9" (229 mm)
Drain hole:	3-5/8" (92 mm)
Template:	1219562-7, required, included

Notes

Install this product according to the installation instructions.