



Iron Plains® Rectangle Wading Pool®

Bathroom Sink
K-5400-B

Features

- Rectangular basin.
- No faucet holes; requires wall- or counter-mount faucet.
- Overflow drain.
- Biscuit painted underside.

Material

- KOHLER® enameled cast iron.

Installation

- Vessel.

Optional Products/Accessories

52047 Clamp Accessory Pack, 4 Ea.

Included Components

Additional Components:

1193643 Basin clamps



ADA CSA B651

Codes/Standards

ASME A112.19.1/CSA B45.2

ADA

ICC/ANSI A117.1

CSA B651


Lifetime Limited Warranty for KOHLER® Cast Iron Components

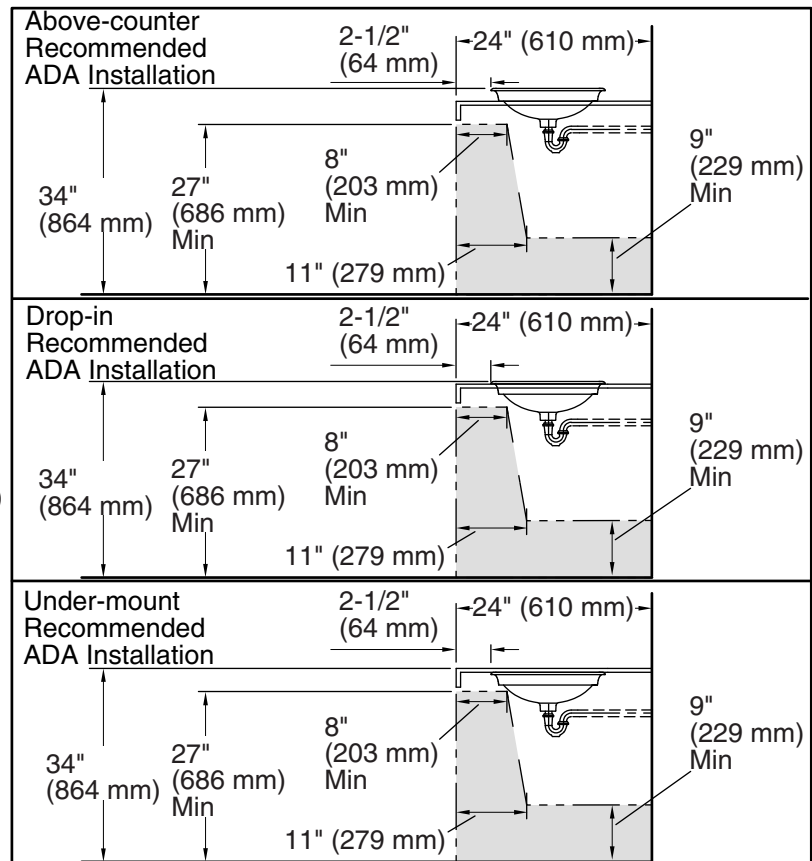
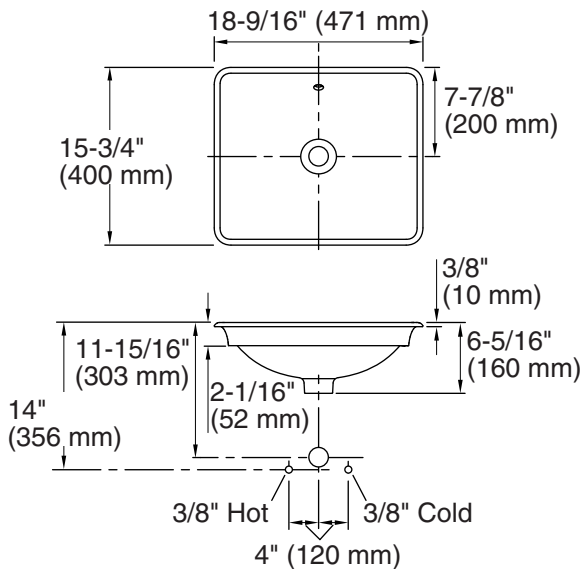
See website for detailed warranty information.

Available Colors/Finishes

Color tiles intended for reference only.

Color Code Description

	96	Biscuit
--	----	---------



Technical Information

All product dimensions are nominal.

- Bowl configuration: Single
- Installation: Vessel
- Bowl area (Only):
 - Length: 17-1/2" (445 mm)
 - Width: 14-3/4" (375 mm)
 - Bowl depth: 4-9/16" (116 mm)
 - With overflow: Yes
 - Water depth: 2-15/16" (74 mm)
- Template:
 - 1222632-7, required, included
 - 1222632-7, required, included
 - 1222632-7, required, included

Notes

Install this product according to the installation instructions.

NOTICE: Countertop manufacturer or cutter must use the cut-out template provided with the product, or a current one provided by Kohler Co. (call 1-800-4-KOHLER). Kohler Co. is not responsible for cutout errors when the incorrect cut-out template is used.

ADA, CSA B651 compliant when installed to the specific requirements of these regulations.