



# Iron Plains® Rectangle Wading Pool®

Bathroom Sink  
K-5400-P5

## Features

- Rectangular basin.
- No faucet holes; requires wall- or counter-mount faucet.
- Overflow drain.
- Iron Black painted underside.

## Material

- KOHLER® enameled cast iron.

## Installation

- Vessel.

## Optional Products/Accessories

52047 Clamp Accessory Pack, 4 Ea.

## Included Components

Additional Components:

1193643 Basin clamps



ADA CSA B651

## Codes/Standards

ASME A112.19.1/CSA B45.2  
ADA  
ICC/ANSI A117.1  
CSA B651

## Lifetime Limited Warranty for KOHLER® Cast Iron Components

See website for detailed warranty information.

## Available Colors/Finishes

*Color tiles intended for reference only.*

Color	Code	Description
	0	White
	FF	Sea Salt™
	96	Biscuit
	FD	Cane Sugar™
	NY	Dune
	G9	Sandbar
	K4	Cashmere
	FT	Basalt
	20	Suede
	KA	Black 'n Tan
	7	Black Black™

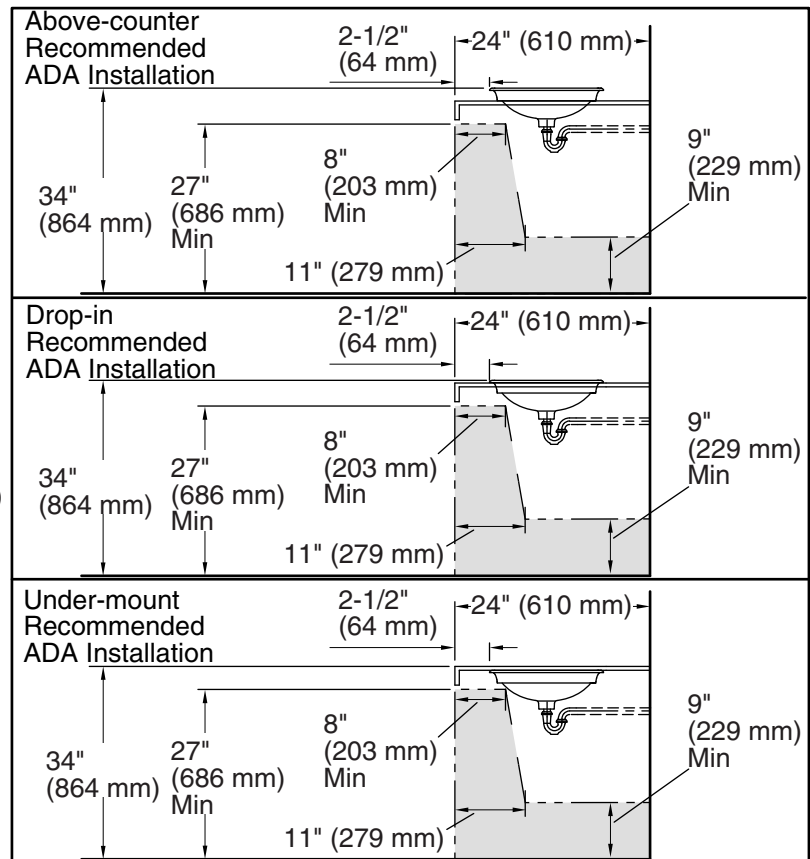
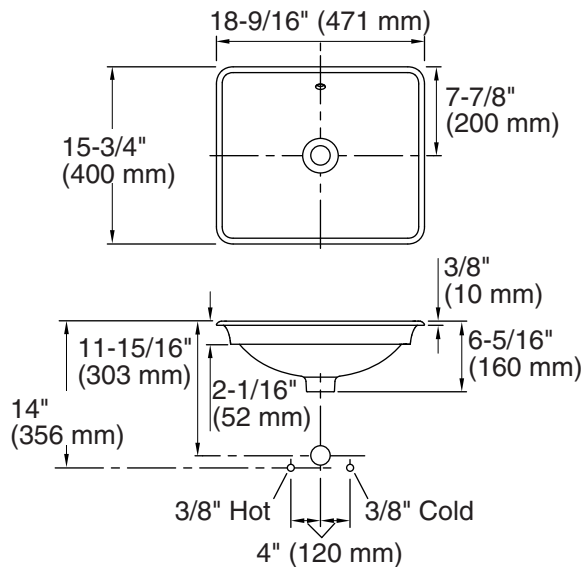
1-800-4KOHLER (1-800-456-4537)

Kohler Co. reserves the right to make revisions without notice to product specifications.

For the most current Specification Sheet, go to [www.kohler.com](http://www.kohler.com).

12-24-2019 14:50 - US/CA

THE BOLD LOOK  
OF **KOHLER**™



### Technical Information

All product dimensions are nominal.

- Bowl configuration: Single
- Installation: Vessel
- Bowl area (Only):
  - Length: 17-1/2" (445 mm)
  - Width: 14-3/4" (375 mm)
  - Bowl depth: 4-9/16" (116 mm)
  - With overflow: Yes
  - Water depth: 2-15/16" (74 mm)
- Template: 1222632-7, required, included

### Notes

Install this product according to the installation instructions.

**NOTICE:** Countertop manufacturer or cutter must use the cut-out template provided with the product, or a current one provided by Kohler Co. (call 1-800-4-KOHLER). Kohler Co. is not responsible for cutout errors when the incorrect cut-out template is used.

ADA, CSA B651 compliant when installed to the specific requirements of these regulations.