

Features

- Large single bowl.
- 11-inch depth provides generous workspace.
- No faucet holes.
- Includes bamboo cutting board, two multipurpose grated racks, colander, and washbin.
- Three graduated ledges in basin allow you to place accessories at your preferred height.
- Accessories stack and slide on ledges for a custom arrangement.
- Beveled cone-shape basin slopes into drain, easily disposing debris.
- Medium size cutting board (10"x16") included with sink - covers 1/3 of sink.
- Also available: Large size cutting board 21"x16" - covers 2/3 of sink. (Sold separately # K-23680-NA)
- SilentShield sound-absorption technology offers quieter performance.
- Includes installation hardware.

Material

- Premium 18-gauge stainless steel.

Installation

- Under-mount.
- Minimum base cabinet width: 33"-36" (33" may require cabinet modifications).

Recommended Products/Accessories

K-8801 Sink Strainer
K-8799 Sink Strainer

Optional Products/Accessories

K-11352 Disposal Flange with Stopper

Included Components

Product consists of:

K-5542 Multipurpose Grated Rack
K-5542 Multipurpose Grated Rack
K-5541 Bamboo Cutting Board
K-5544 Colander and Washbin

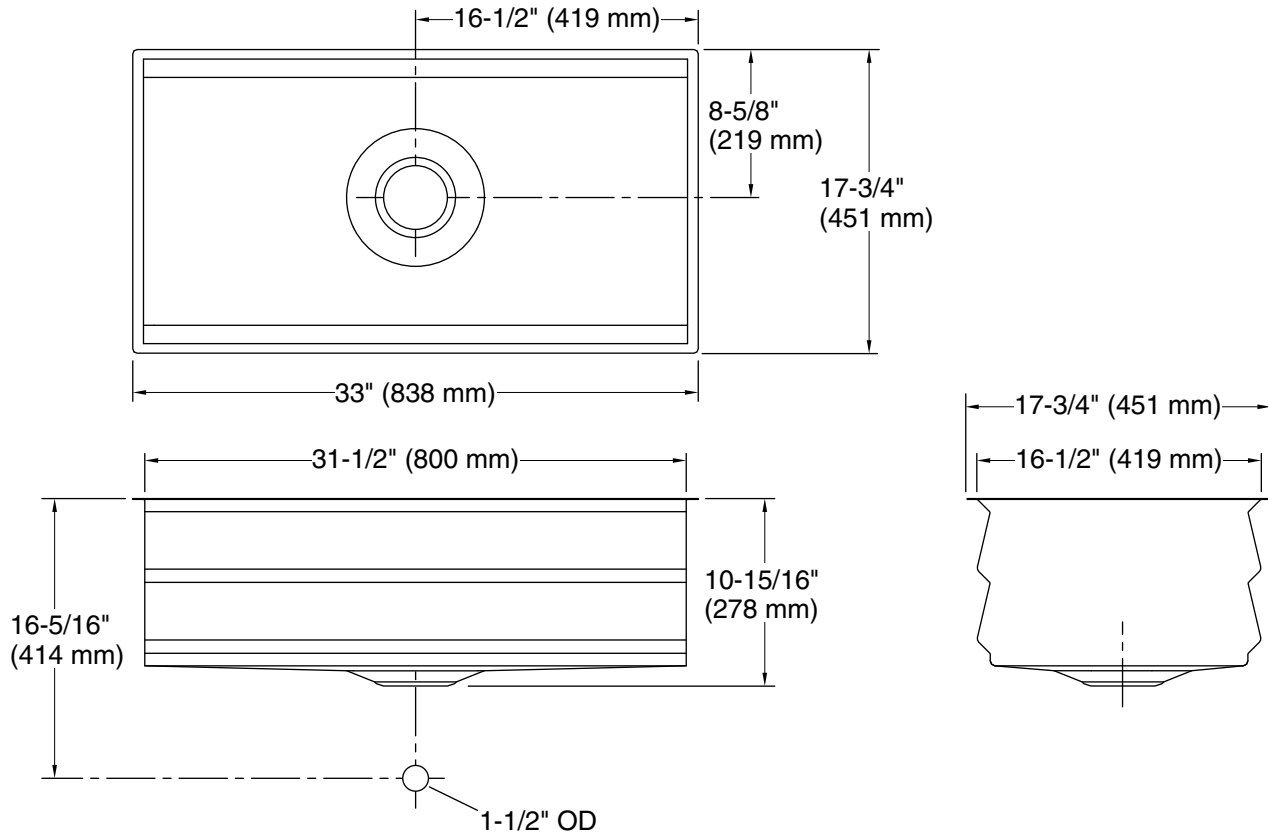


Codes/Standards

ASME A112.19.3/CSA B45.4

**Lifetime Limited Warranty for
KOHLER® Stainless Steel Sinks
Lifetime Limited Warranty for
KOHLER® Stainless Steel Sinks**

See website for detailed warranty information.



Technical Information

All product dimensions are nominal.

Bowl configuration:	Single
Installation:	Under-mount
Min. base cabinet width:	36" (914 mm)
Bowl area (Only):	Length: 31-1/2" (800 mm) Width: 16-1/2" (419 mm) Bowl depth: 10" (254 mm) Water depth: 10" (254 mm)
Drain hole:	3-3/4" (94 mm)
Template:	1093327-7, required, included

Notes

Install this product according to the installation instructions.