



Bakersfield™

Under-Mount Kitchen Sink

K-5832-5U

Features

- 33-inch minimum base cabinet width.
- Single bowl.
- 8-inch depth.
- Three oversized faucet holes with two oversized accessory holes to the right.
- Oversized holes allow for easy installation of faucets and accessories.
- Includes under-mount installation kit for simplified installation.

Material

- KOHLER® enameled cast iron.

Installation

- Under-mount.

Recommended Products/Accessories

- K-6517 Sink Rack
- K-6539 Drainboard with Sink Rack
- K-8801 Sink Strainer
- K-8799 Sink Strainer

Optional Products/Accessories

- K-5836 Cutting Board
- K-11352 Disposal Flange with Stopper
- K-9000 P-Trap
- 1411886 Undermount kit 23 in.



Codes/Standards





ASME A112.19.1/CSA B45.2

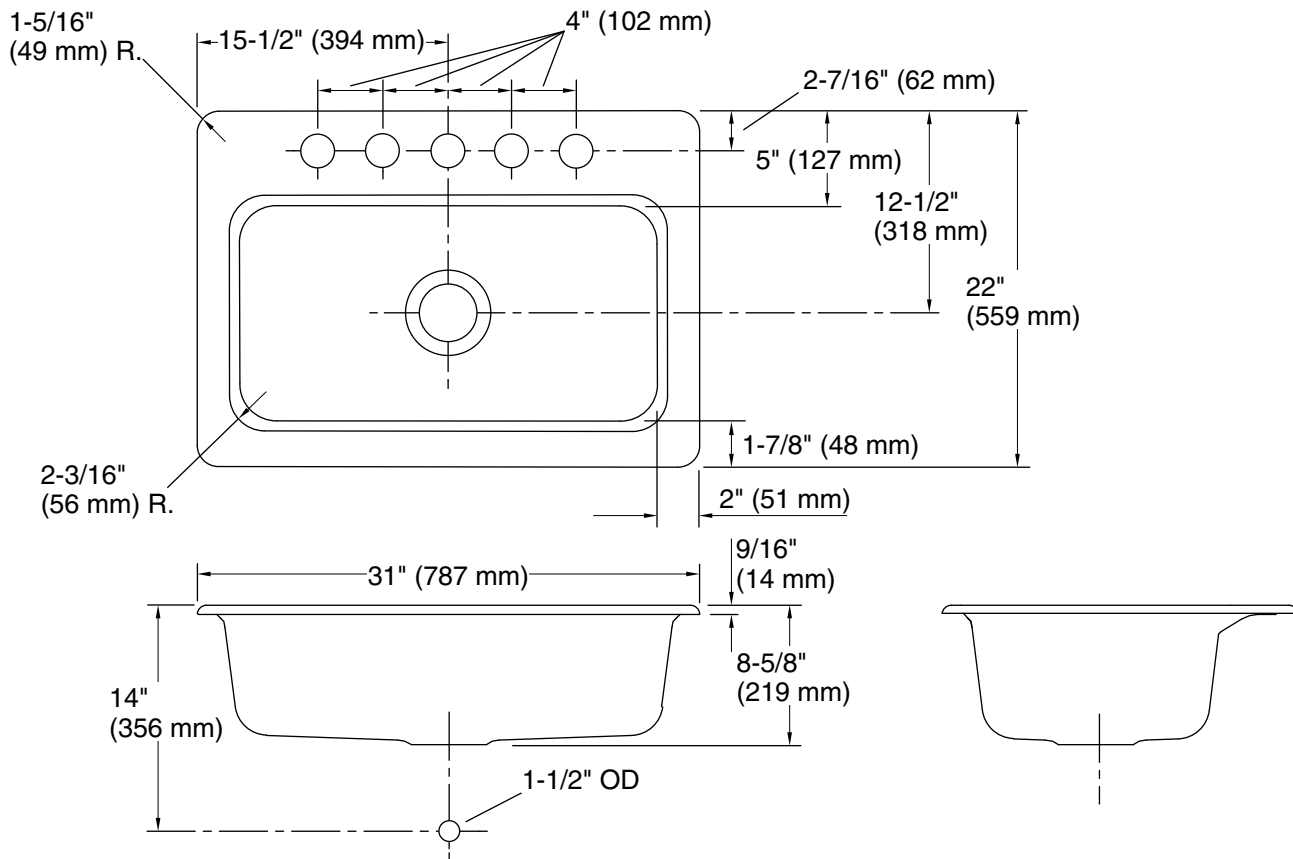
KOHLER® Enameled Cast Iron Kitchen Sink Lifetime Limited Warranty

See website for detailed warranty information.

Available Colors/Finishes

Color tiles intended for reference only.

Color	Code	Description
	0	White
	96	Biscuit
	47	Almond
	7	Black Black™



Technical Information

All product dimensions are nominal.

Bowl configuration:	Single
Installation:	Undermount
Min. base cabinet width:	33" (838 mm)
Bowl area:	Length: 27" (686 mm) Width: 15" (381 mm) Bowl depth: 8" (203 mm)
Number of deck holes:	5
Faucet hole(s):	2-3/8" (60 mm)
Drain hole:	3-5/8" (92 mm)
Template:	1139754-7, required, included

Notes

Install this product according to the installation instructions.

Faucet holes in under-mount fixture are oversized at \varnothing 2-3/8" (60 mm). Drill faucet holes in counter according to fitting rough-in.