



Arcus™ Single Lever Basin Bathroom Faucet

FUS-1011

Congratulations on the purchase of your new Kraus plumbing fixture!

Please keep the box and packaging materials until your product is completely installed. If you have any questions, require technical assistance or have any problems with your product:



DO NOT RETURN TO STORE

**Please contact our Customer Service Team
1-800-775-0703 / customerservice@kraususa.com**

Have the model number available and retain a copy of your receipt with purchase date for reference.

If for any reason this product does not meet your expectations, please be sure to repack this product in the original box and packaging material to avoid damage during transit.

Prior to Installation:

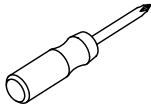
- Make sure you have all necessary parts by checking the diagram and parts list. If any part is missing or damaged, please contact Kraus Customer Service at 800-775-0703 for a replacement.
- Turn off the hot and cold water supply at the angle stops and turn on the old faucet to release any built up pressure. Remove existing faucet. Clean sink or countertop to remove any debris, plumber's putty, or silicone.
- Flush angle stops to release any debris prior to installation.
- Pre-drilled hole size requirement: 1 3/8" (min)
- Max countertop thickness: 1 3/8"

For technical assistance or replacement parts, please contact Kraus Customer Service and one of our representatives will be happy to help:
Toll-Free: 800-775-0703 or Customerservice@kraususa.com

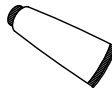
Tools Required



Adjustable Wrench



Phillips Screwdriver

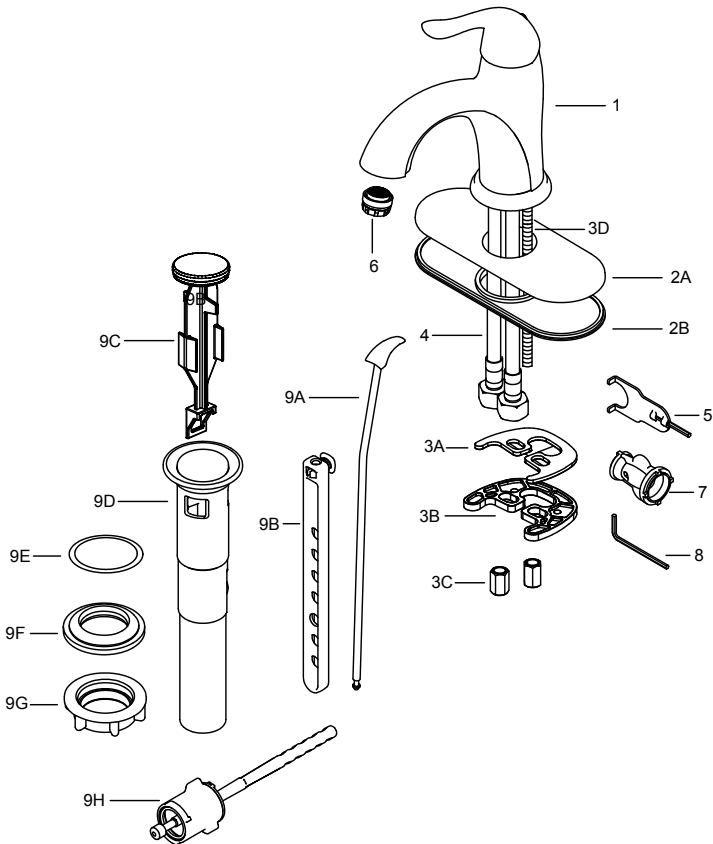


Silicone Sealant



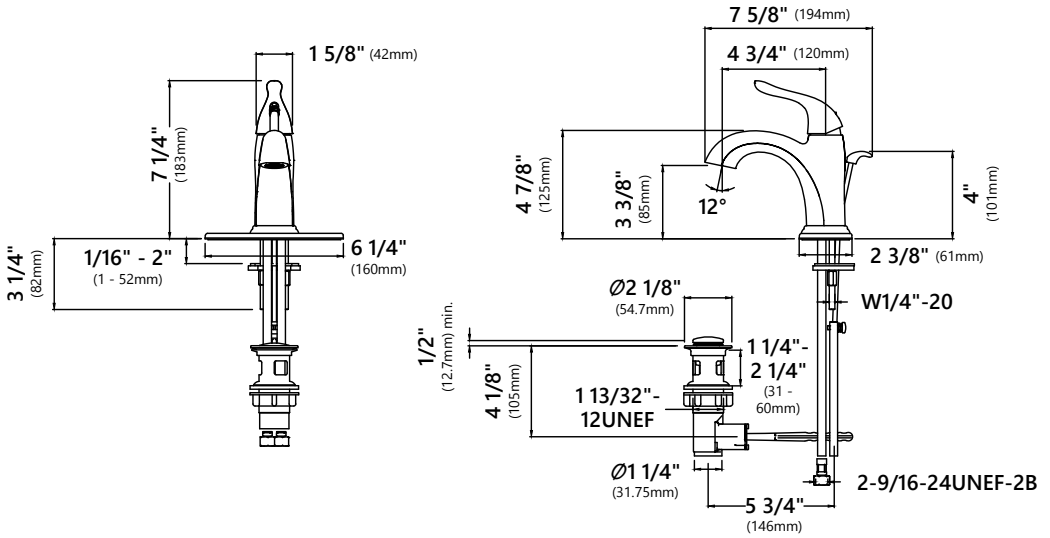
Pipe Tape

Diagram and Parts List



- | | | |
|------------------------|--------------------------|------------------------|
| 1. Faucet Body | 4. Hot & Cold Waterlines | 9. Drain Assembly |
| 2. Deck Plate Assembly | 5. Cartridge Key | A. Lift Pole Rod |
| A. Deck Plate | 6. Aerator | B. Lift Pole Extension |
| B. Base Plate | 7. Aerator Key | C. Waste Stopper |
| 3. Mounting Hardware | 8. Hex Wrench | D. Drain Body |
| A. Rubber Washer | | E. Rubber Washer |
| B. Metal Washer | | F. Concave Washer |
| C. Mounting Nuts | | G. Mounting Nut |
| D. Mounting Screws | | H. Drain Off Pole |

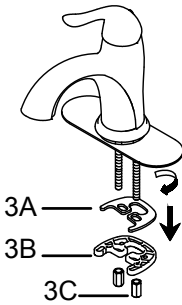
Faucet Dimensions



Installer Tip:

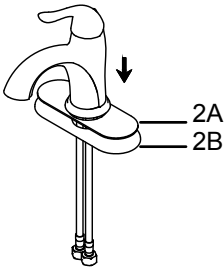
Shut off main water supply before installing new faucet.

Step 1. Remove mounting hardware



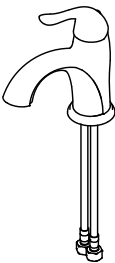
Remove mounting hardware from faucet (3A, B & C).

Step 2A. Installing the faucet with deck plate



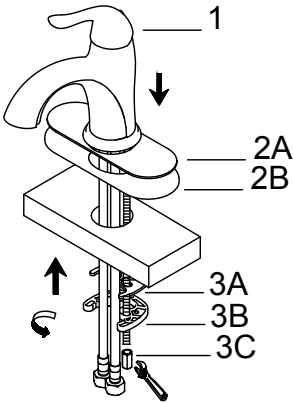
For three-hole installation, deck plate (2A), base plate (2B), and silicone sealant are required.

Step 2A. Installing the faucet without deck plate



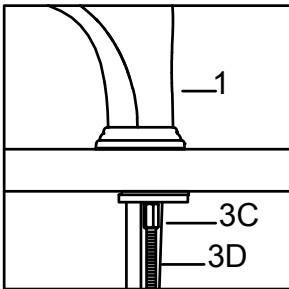
For single-hole installation, deck plate (2A), base plate (2B), and silicone sealant are NOT required.

Step 3. Install faucet and mounting hardware



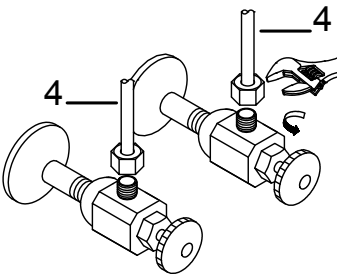
Insert faucet body (1) into the hole on the countertop or deck plate assembly (3). Install rubber washer (2A), metal washer (2B), and mounting nuts (2C) on mounting screws (2D) from underneath the countertop.

Step 4. Secure mounting hardware



Adjust direction of faucet body (1). Tighten mounting nut (2C) onto mounting screws (2D) with a wrench until snug.

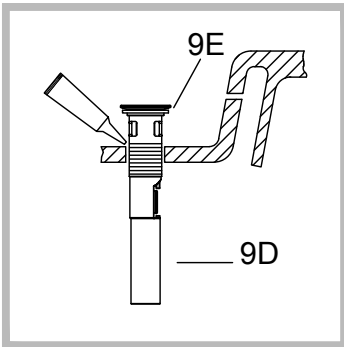
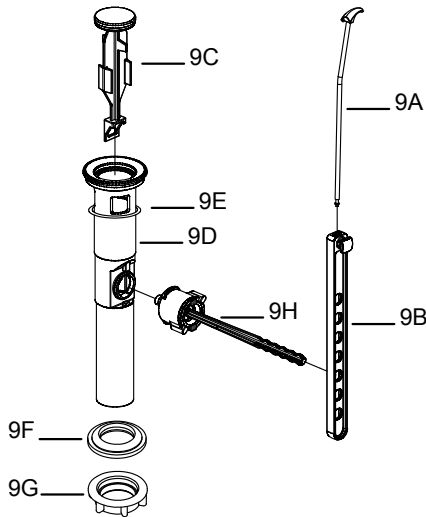
Step 5. Connect waterlines to main valve



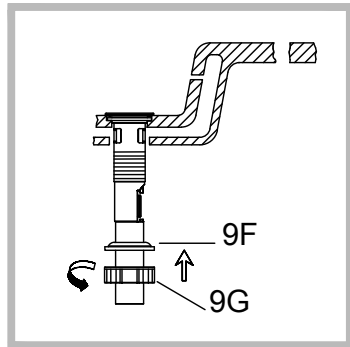
Connect hot & cold waterlines (4) to the angle stops. Tighten with a wrench until snug. Turn on hot and cold angle stops and check for leaks.

NOTE: Make sure O-rings are installed at the end of the hot & cold waterlines

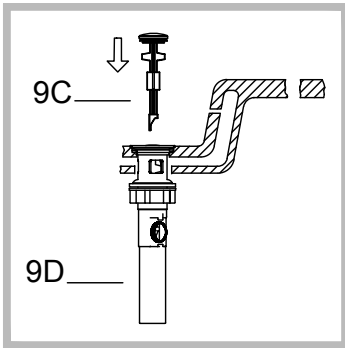
Step 6. Install drain



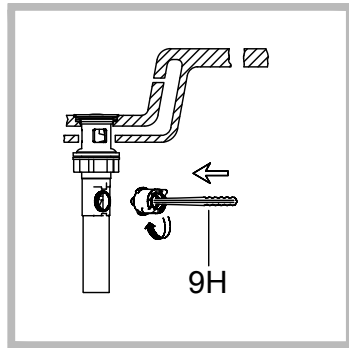
1. Place a bead of silicone around the drain opening. Insert drain body (9D), with rubber washer (9E) attached, into the drain hole.



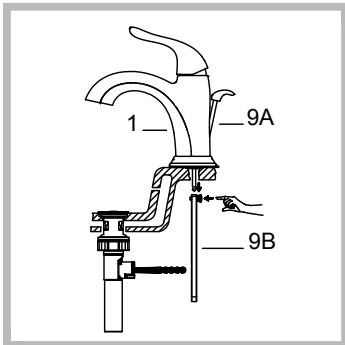
2. From underneath the countertop, attach concave washer (9F) and mounting nut (9G), and secure tightly to sink.



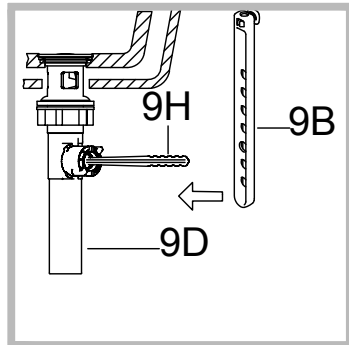
3. Insert waste stopper (9C) into drain body (9D). Make sure hole on waste stopper (9C) is aligned with drain body (9D) opening.



4. Insert drain off pole (9H) into drain body (9D) and waste stopper (9C) hole. Turn drain off pole (9H) 1/4" to the right to lock into place.

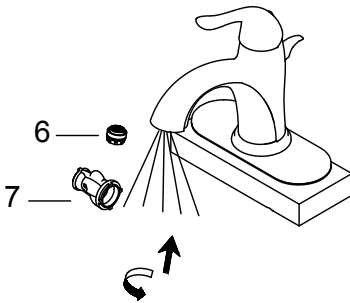


5. Insert lift pole rod (9A) through the hole in the back of the faucet body (1). From underneath, insert the lift pole rod (9A) into the lift pole extension (9B) by pressing the button on the extension and release.



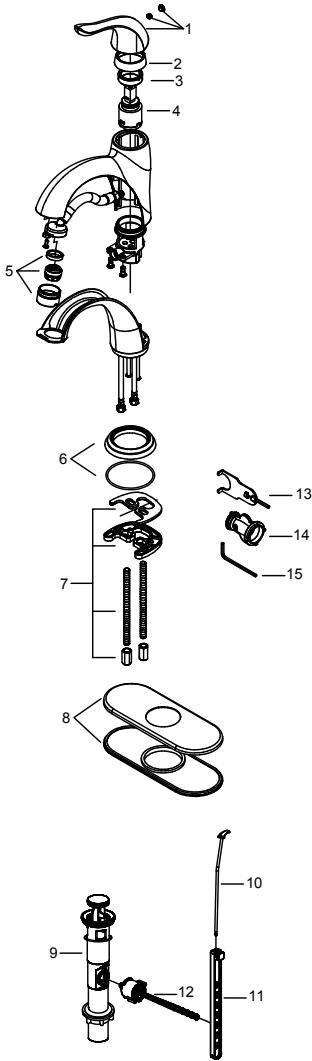
6. Align drain body (9D) to enable drain off pole (9H) and lift pole extension (9B) to engage. Once aligned, push lift pole extension (9B) onto drain off pole (9H).

Step 7. Flush faucet



After installing faucet and drain, remove aerator (6) with included aerator key (7). Turn water on for 30 seconds to remove any debris. Reassemble aerator (6).

Replacement Parts



Replacement Parts List	Finish/Color	Part #
1. Metal Handle	CH, SN, ORB*	KP07026
2. Cartridge Cover	CH, SN, ORB*	KP07027
3. Locking Nut		KP07028
4. Cartridge		KP07029
5. Aerator Assembly	CH, SN, ORB*	KP07031
6. Base Trim Ring	CH, SN, ORB*	KP07032
7. Mounting Hardware		KP07033
8. Escutcheon	CH, SN, ORB*	KP07034
9. Drain Assembly	CH, SN, ORB*	KP07035
10. Lift Rod	CH, SN, ORB*	KP07012
11. Lift Rod Extension		KP07014
12. Drain Off Pole		KP07013
13. Cartridge Key		KP07039
14. Aerator Key		KP07037
15. Hex Wrench		KP07024

*Denotes faucet component color options:
 CH - Chrome
 SN - Satin Nickel
 ORB - Oil Rubbed Bronze

Trouble-Shooting

If you have followed the instructions carefully and your faucet still does not work properly, take the following corrective steps:

PROBLEM	CAUSE	ACTION
Leakage under the faucet handle	Locking nut has come loose	Remove handle index button. Loosen set screw with hex wrench. Remove metal handle. Unscrew cartridge cover (by hand only). Tighten locking nut with cartridge key.
Water does not shut off completely	Cartridge may need to be adjusted or replaced.	Remove handle index button. Loosen set screw with hex wrench. Remove metal handle. Unscrew cartridge cover (by hand only). Unscrew the locking nut with cartridge key. Remove ceramic disc cartridge. Check for cracks.
Aerator drips or has inconsistent water flow pattern	Aerator is dirty or not seated properly.	Unscrew aerator cover with aerator key and clean out debris.
Drain is leaking	Washers may be compromised or installed incorrectly	Check washers to make sure they are not cracked and they are installed correctly.

Care & Maintenance

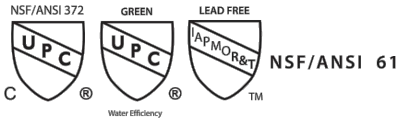
* To keep the product clean & shining, follow the steps below:

1. Rinse with clean water & dry with a soft cloth
2. Do not clean with soaps, acid, polish, abrasives or harsh cleaners
3. Do not use cloth with a coarse surface
4. Unscrew the aerator and clean when necessary



* This installation manual is subject to change without further notice.

Codes/Standards Applicable:



ASME A112.18.1
1.2GPM 4.5L/min maximum

FAUCET WARRANTY

Kraus products are manufactured and tested to the highest quality standards by Kraus USA Inc. ("Kraus").

Kraus extends this warranty to the original purchaser for personal household use of the "Faucet" in its original location. The warranty is non-transferable.

Kraus warrants the structure and finish of the product to be free from defects in material and workmanship under normal usage for the lifetime of the product. The warranty commences from the initial date of purchase by the owner or trade professional, from an authorized Kraus dealer, through the lifetime of the original owner or end-user.

Kraus warrants the mechanical components such as but not limited to sprayhead assembly (includes engine, aerators, structure, restrictors, back flow preventers, sprayer hoses, braided supply line hoses which encompasses nylon, silicon and stainless steel, etc) of the product to be free from defects in material and workmanship under normal usage for a period of one (1) year. The warranty commences from the initial date of purchase by the owner or trade professional, from an authorized Kraus dealer, through the one (1) year term of the original owner or end-user.

Kraus warrants the mechanical component (cartridge) of the product to be free from defects in material and workmanship under normal usage for a period of five (5) years. The warranty commences from the initial date of purchase by the owner or trade professional, from an authorized Kraus dealer, through the five (5) year term of the original owner or end-user.

Any product reported to the authorized dealer or to Kraus as being defective within the warranty period will be repaired or replaced with a product of equal value at the option of Kraus. This warranty extends to the original owner or end-user, and is not transferable to a subsequent owner.

RESTRICTIONS

This warranty does not cover antediluvian, discontinued, or display products, whether such items are purchased at discount outlets, unauthorized dealers, and/or sold on clearance.

This warranty does not cover instances of negligence, misuse, abuse, improper installation, carelessness, accident, hard water or mineral deposits, exposure to corrosive materials, misapplication, damages caused by improper maintenance, alteration of the product, or failure to follow care or installation instructions enclosed with your product. Avoid using abrasive cleaners such as powders, bleach, ammonia, alcohol, or chlorine. Avoid using abrasive pads, steel wool, or wire brushes, as these will damage and wear down the finish.

This warranty does not apply to Products that have not been installed or operated in accordance with instructions supplied by Kraus and all applicable rules, regulations, and legislation pertaining to such installations.

This warranty does not apply unless the Kraus product is installed by a fully insured and licensed trade professional. Kraus insists that such professionals have experience in the installation of bathroom and kitchen manufactured goods.

This warranty does not cover labor charges or costs of removal and reinstallation of said product. This warranty does not allow recovery of incidental or consequential damages, such as loss of use, delay, property damage, or other consequential damages, and Kraus accepts no liability for such damages.

This warranty does not cover Marine or Outdoor Installation.

Except as otherwise provided above, Kraus makes no warranties, expressed or implied, including warranties of merchantability and fitness for a particular purpose, or compliance with any code.

Shipping charges will be covered for the first (1) year of the warranted replacement part or product (HI, AK, and Puerto Rico shipping charges may apply). International shipping fees are not included.

COMMERCIAL WARRANTY

Kraus extends the above warranty for a period of one (1) year to purchasers of products for industrial, commercial, and business use.

All incidental or consequential damages are specifically excluded. No additional warranties, express or implied, are given, including but not limited to any implied warranty of merchantability or fitness for a particular purpose.

Some states do not allow the exclusion or limitation of incidental or consequential damages or limitations on how long an implied warranty lasts, so the above limitations or exclusions may not apply to you.

This warranty gives you specific legal rights, and you may also have other rights which vary from state to state.

KRAUS USA has the right to change, modify, and/or update the warranty policy at any time. For the latest, most up to date comprehensive warranty, go to www.kraususa.com/warranty

If you are a homeowner please contact a Kraus Customer Service Representative at:

Kraus USA, Inc.
12 Harbor Park Drive
Port Washington, NY 11050
Toll-free 800-775-0703
Customerservice@kraususa.com

If you are a plumbing contractor or trade professional please contact a Kraus Pro Representative at:

Kraus USA, Inc.
12 Harbor Park Drive
Port Washington, NY 11050
516-801-8955
Proservice@kraususa.com

If you are an Authorized Partner please contact a Partner Support Representative at:

Kraus USA, Inc.
12 Harbor Park Drive
Port Washington, NY 11050
516-801-8954
Partnersupport@kraususa.com

In requesting warranty service, please be ready to provide:

1. Proof of purchase.
2. A description of the problem.

Download the Kraus Care & Maintenance Guide at:
<http://www.kraususa.com/maintenance>

IMPORTANT

Register Your Kraus Product

Activate Your Warranty

Access Premium Customer Support

Get Product Information

REGISTER TODAY

<http://www.kraususa.com/registration>



Kräus[®]
www.kraususa.com