

## BST-1

### Stainless Steel Basket Strainer

#### Basket Strainer Dimensions

Overall Dimensions: 4 1/2" x 4 1/2"

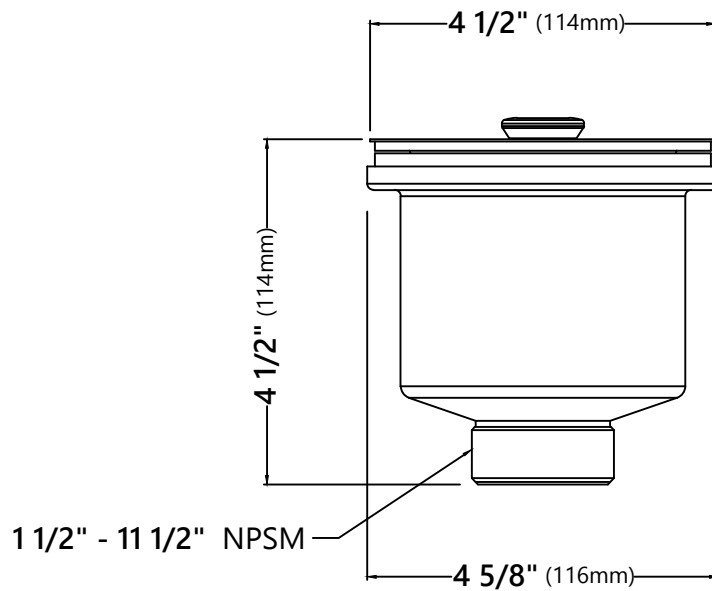
#### Features

- Premium Stainless Steel Construction
- Fits Standard 3 1/2" or 4" Drain Openings
- Removable Basket Prevents Debris from Clogging Drain Pipe

#### Warranty

Kraus Limited Lifetime Warranty

see website for details [www.kraususa.com](http://www.kraususa.com)



## ST-1

### Stainless Steel Kitchen Sink Strainer

#### Strainer Dimensions

Overall Dimensions:  $\phi 4 \frac{1}{2}''$  x  $3 \frac{3}{4}''$

#### Features

- Premium Stainless Steel construction
- Fits Standard  $3 \frac{1}{2}''$  or  $4''$  Drain Opening
- Open/Close Stopper Prevents Debris from Clogging Drain Pipe

#### Available Finishes

- Stainless Steel



#### Warranty

Kraus Limited Lifetime Warranty

see website for details [www.kraususa.com](http://www.kraususa.com)

