

KBU15

20 Inch Undermount Single Bowl Stainless Steel Kitchen Sink

Kräus[®]

SPECIFICATION SHEET

Sink Dimensions

Overall Dimensions: 19 3/4" x 20 1/2"

Bowl Dimensions: 17 3/4" x 18 1/2"

Sink Depth: 9"

Features

- 16 Gauge Stainless Steel Construction
- Single Bowl Undermount Pressed Sink
- Required Minimum Cabinet Size: 24" Left to Right, 24" Front to Back
- Rear Center-Set Drain
- 3 1/2" Drain Opening
- NoiseDefend Undercoating and Sound Dampening Pads

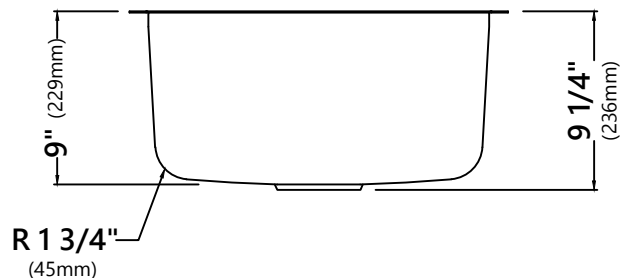
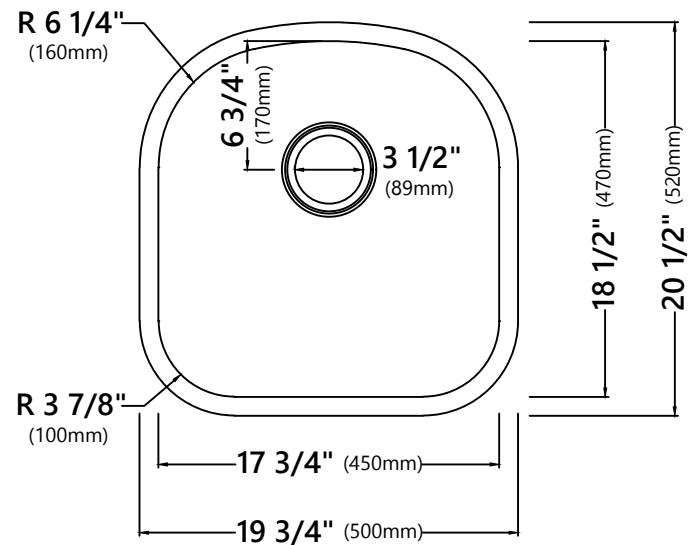
Accessories Included

- Basket Strainer BST-1
- Bottom Grid KBG-15
- Cut-Out Template
- Mounting Hardware
- Towel

CODES/STANDARDS:

Product Certification

cUPC (ASME A112.19.3/CSA B45.4)



Warranty

Kraus Limited Lifetime Warranty

see website for details www.kraususa.com

KBG-15

Stainless Steel Kitchen Sink Bottom Grid

Grid Dimensions

Overall Dimensions: 16" x 16 3/8" x 1 1/8"

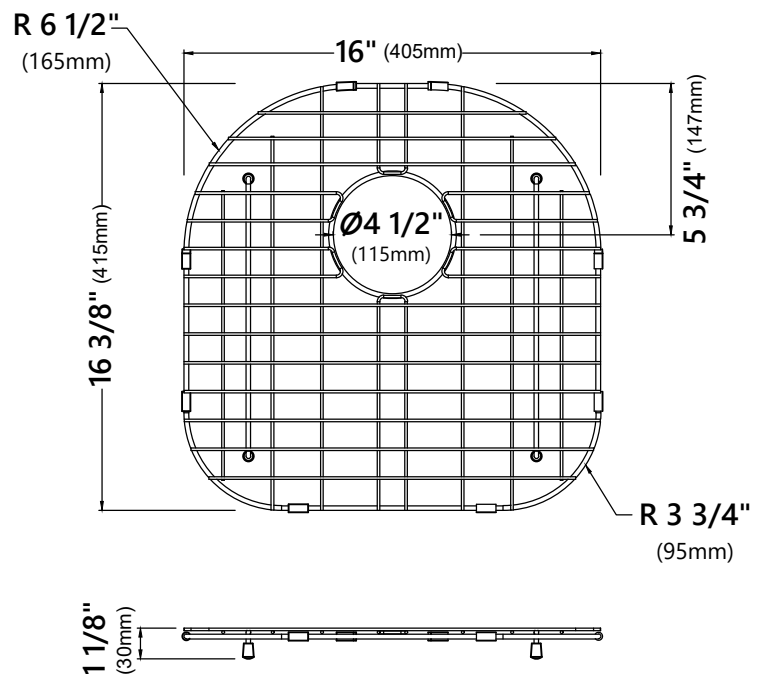
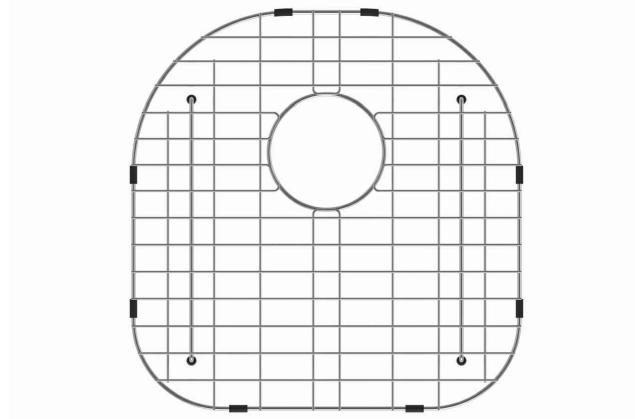
Features

- Commercial grade stainless steel construction
- For Use with the KBU15 kitchen sink
- Protects bottom of sink from daily wear and tear
- Rubber feet provide additional protection

Warranty

Kraus One Year Limited Warranty

see website for details www.kraususa.com



BST-1

Stainless Steel Basket Strainer

Basket Strainer Dimensions

Overall Dimensions: 4 1/2" x 4 1/2"

Features

- Premium Stainless Steel Construction
- Fits Standard 3 1/2" or 4" Drain Openings
- Removable Basket Prevents Debris from Clogging Drain Pipe

Warranty

Kraus Limited Lifetime Warranty

see website for details www.kraususa.com

