

# KBU17

## 15 Inch Undermount Single Bowl Stainless Steel Kitchen Sink

# Kräus®

SPECIFICATION SHEET

### Sink Dimensions

Overall Dimensions: 15 1/8" x 12 3/4"

Bowl Dimensions: 13 1/8" x 10 3/4"

Sink Depth: 6 7/8"

### Features

- 18 Gauge Stainless Steel Construction
- Single Bowl Undermount Bar/Prep Pressed Sink
- Required Minimum Cabinet Size: 18" Left to Right, 24" Front to Back
- Center-Set Drain
- 3 1/2" Drain Opening
- NoiseDefend Undercoating and Sound Dampening Pads

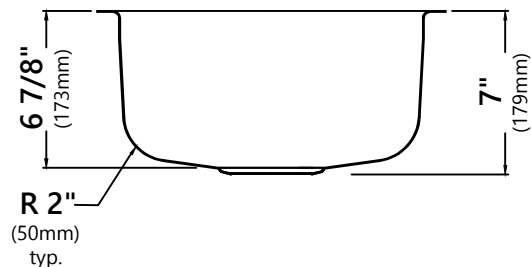
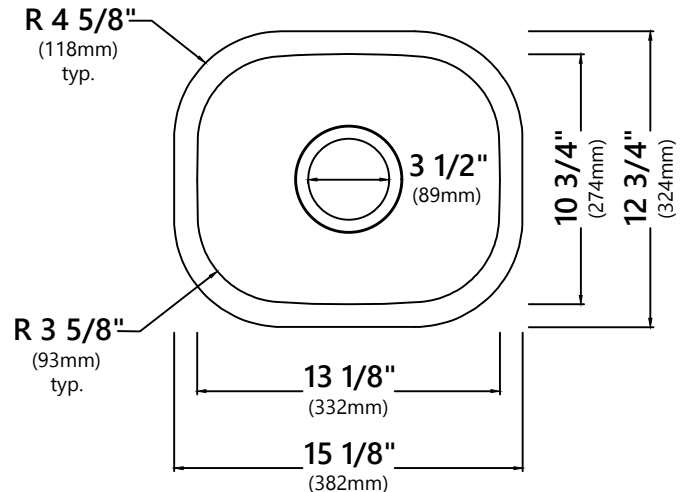
### Accessories Included

- Strainer ST-1
- Cut-Out Template
- Mounting Hardware
- Towel

### CODES/STANDARDS:

#### Product Certification

cUPC (ASME A112.19.3/CSA B45.4)



### Warranty

Kraus Limited Lifetime Warranty

see website for details [www.kraususa.com](http://www.kraususa.com)

Kraus USA Customer Service

1.800.775.0703 | [customerservice@kraususa.com](mailto:customerservice@kraususa.com)

REV. December 3, 2019

## ST-1

### Stainless Steel Kitchen Sink Strainer

#### Strainer Dimensions

Overall Dimensions:  $\phi 4 \frac{1}{2}''$  x  $3 \frac{3}{4}''$

#### Features

- Premium Stainless Steel construction
- Fits Standard  $3 \frac{1}{2}''$  or  $4''$  Drain Opening
- Open/Close Stopper Prevents Debris from Clogging Drain Pipe

#### Available Finishes

- Stainless Steel



#### Warranty

Kraus Limited Lifetime Warranty

see website for details [www.kraususa.com](http://www.kraususa.com)

