

KBU25

32 Inch Undermount Double Bowl Stainless Steel Kitchen Sink

Kräus[®]

SPECIFICATION SHEET

Sink Dimensions

Overall Dimensions: 32 3/8" x 20 1/2"

Larger Bowl Dimensions: 17 3/4" x 18 1/2"

Smaller Bowl Dimensions: 11 3/8" x 15 3/8"

Sink Depth: 8 3/4"

Features

- 16 Gauge Stainless Steel Construction
- Double Bowl Undermount Pressed Sink
- Required Minimum Cabinet Size: 36" Left to Right, 24" Front to Back
- Rear Center-Set Drains
- 3 1/2" Drain Opening
- NoiseDefend Undercoating and Sound Dampening Pads

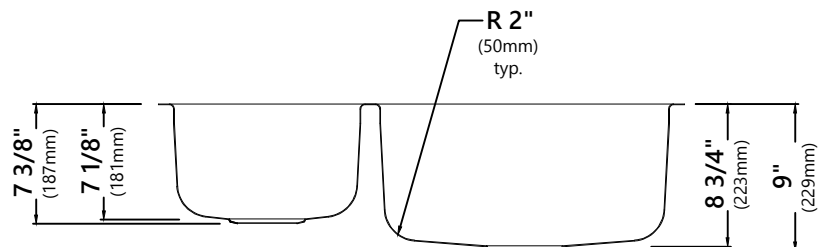
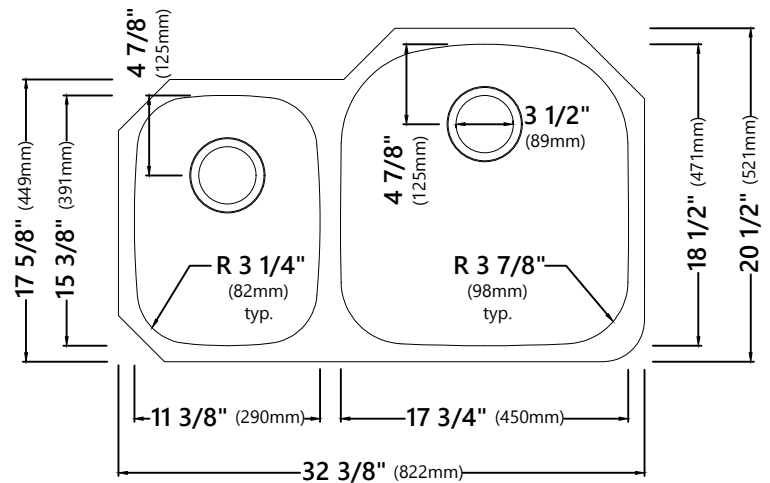
Accessories Included

- Basket Strainer BST-1 & ST-1
- Bottom Grids KBG-25-1 & KBG-25-2
- Cut-Out Template
- Mounting Hardware
- Towel

CODES/STANDARDS:

Product Certification

cUPC (ASME A112.19.3/CSA B45.4)



Warranty

Kraus Limited Lifetime Warranty

see website for details www.kraususa.com

KBG-25-2

Stainless Steel Kitchen Sink Bottom Grid

Grid Dimensions

Overall Dimensions: 10" x 14" x 1 1/8"

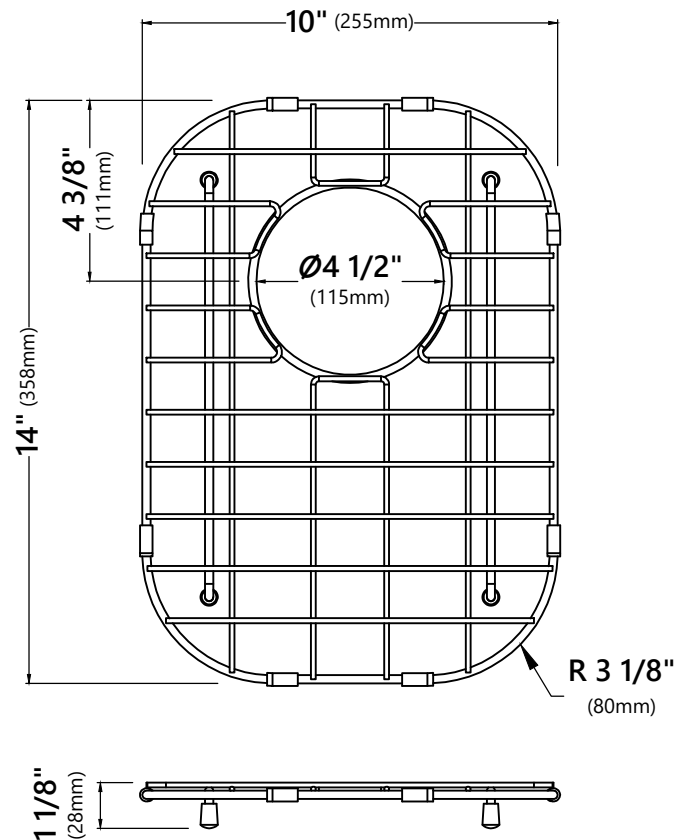
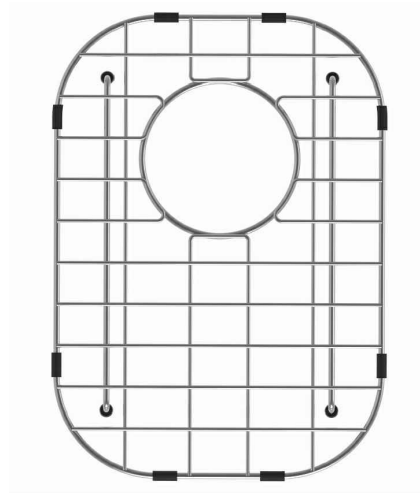
Features

- Commercial grade stainless steel construction
- For Use with the KBU25 kitchen sink
- Protects bottom of sink from daily wear and tear
- Rubber feet provide additional protection

Warranty

Kraus One Year Limited Warranty

see website for details www.kraususa.com



KBG-25-1

Stainless Steel Kitchen Sink Bottom Grid

Grid Dimensions

Overall Dimensions: 15 3/4" x 16 3/4" x 1 1/4"

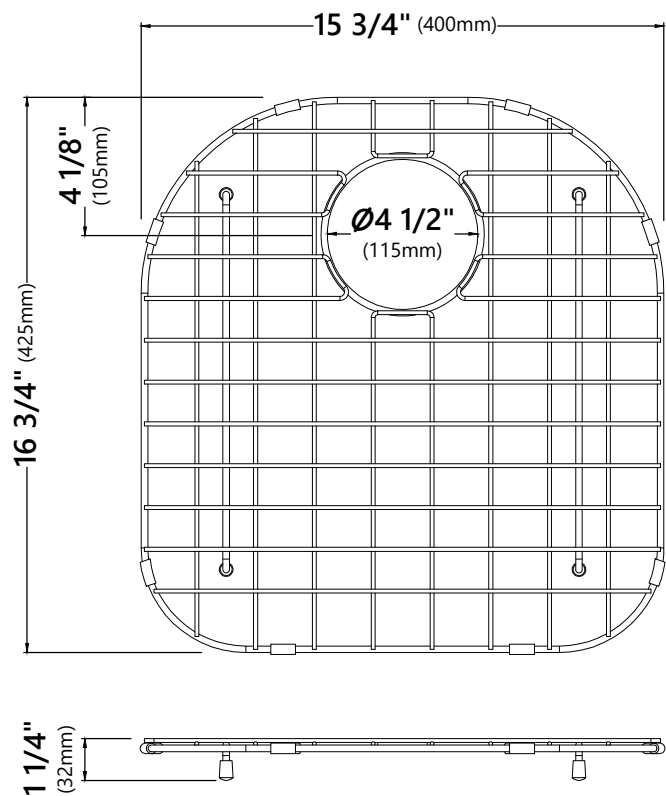
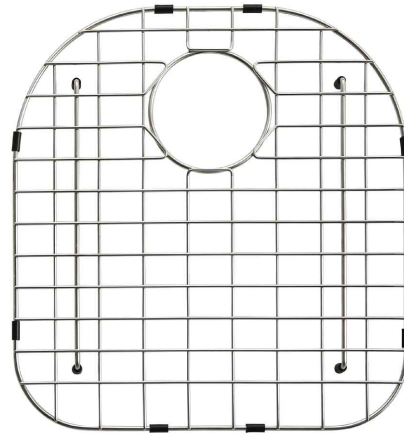
Features

- Commercial grade stainless steel construction
- For Use with the KBU25 kitchen sink
- Protects bottom of sink from daily wear and tear
- Rubber feet provide additional protection

Warranty

Kraus One Year Limited Warranty

see website for details www.kraususa.com



BST-1

Stainless Steel Basket Strainer

Basket Strainer Dimensions

Overall Dimensions: 4 1/2" x 4 1/2"

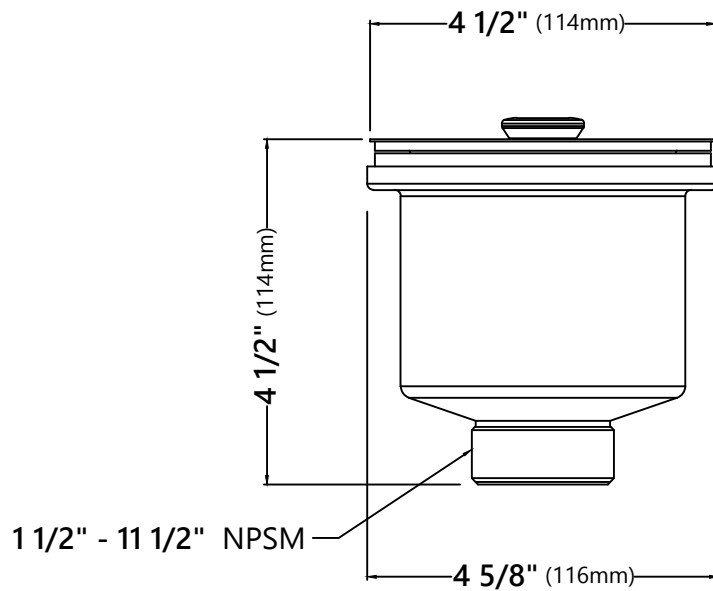
Features

- Premium Stainless Steel Construction
- Fits Standard 3 1/2" or 4" Drain Openings
- Removable Basket Prevents Debris from Clogging Drain Pipe

Warranty

Kraus Limited Lifetime Warranty

see website for details www.kraususa.com



ST-1

Stainless Steel Kitchen Sink Strainer

Strainer Dimensions

Overall Dimensions: $\phi 4 \frac{1}{2}''$ x $3 \frac{3}{4}''$

Features

- Premium Stainless Steel construction
- Fits Standard $3 \frac{1}{2}''$ or $4''$ Drain Opening
- Open/Close Stopper Prevents Debris from Clogging Drain Pipe

Available Finishes

- Stainless Steel



Warranty

Kraus Limited Lifetime Warranty

see website for details www.kraususa.com

