

# KBU27

## 35 Inch Undermount Double Bowl Stainless Steel Kitchen Sink

# Kräus<sup>®</sup>

SPECIFICATION SHEET

### Sink Dimensions

Overall Dimensions: 34 3/8" x 20 1/2"

Larger Bowl Dimensions: 17 3/4" x 18 1/2"

Smaller Bowl Dimensions: 13 3/8" x 15 3/4"

Sink Depth: 9"

### Features

- 16 Gauge Stainless Steel Construction
- Double Bowl Undermount Pressed Sink
- Required Minimum Cabinet Size: 39" Left to Right, 24" Front to Back
- Rear Center-Set Drains
- 3 1/2" Drain Opening
- NoiseDefend Undercoating and Sound Dampening Pads

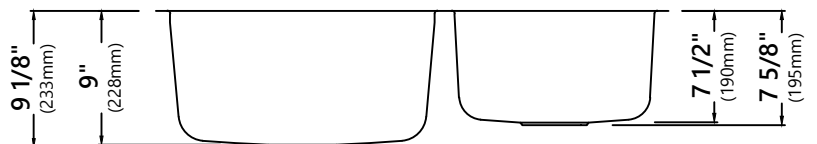
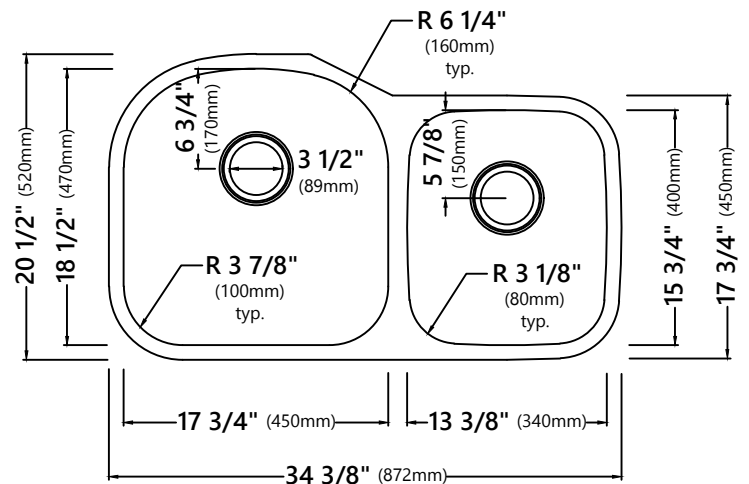
### Accessories Included

- Basket Strainer BST-1 & ST-1
- Bottom Grids KBG-27-1 & KBG-27-2
- Cut-Out Template
- Mounting Hardware
- Towel

### CODES/STANDARDS:

#### Product Certification

cUPC (ASME A112.19.3/CSA B45.4)



### Warranty

Kraus Limited Lifetime Warranty

see website for details [www.kraususa.com](http://www.kraususa.com)

Kraus USA Customer Service

1.800.775.0703 | [customerservice@kraususa.com](mailto:customerservice@kraususa.com)

REV. December 10, 2019

## KBG-27-2

### Stainless Steel Kitchen Sink Bottom Grid

#### Grid Dimensions

Overall Dimensions: 12 1/4" x 14 5/8" x 1 1/8"

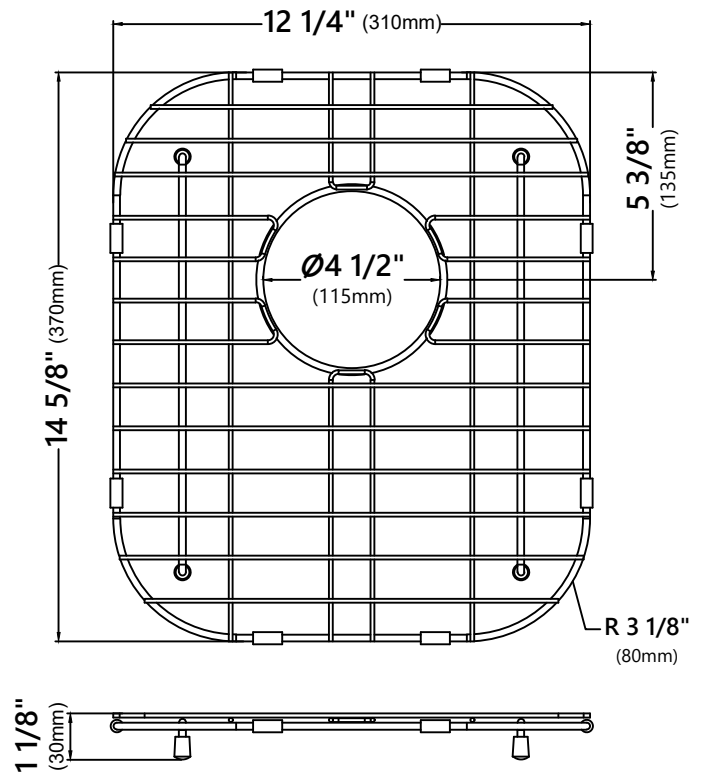
#### Features

- Commercial grade stainless steel construction
- For Use with the KBU27 kitchen sink
- Protects bottom of sink from daily wear and tear
- Rubber feet provide additional protection

#### Warranty

Kraus One Year Limited Warranty

see website for details [www.kraususa.com](http://www.kraususa.com)



## KBG-27-1

### Stainless Steel Kitchen Sink Bottom Grid

#### Grid Dimensions

Overall Dimensions: 16" x 16 3/8" x 1 1/4"

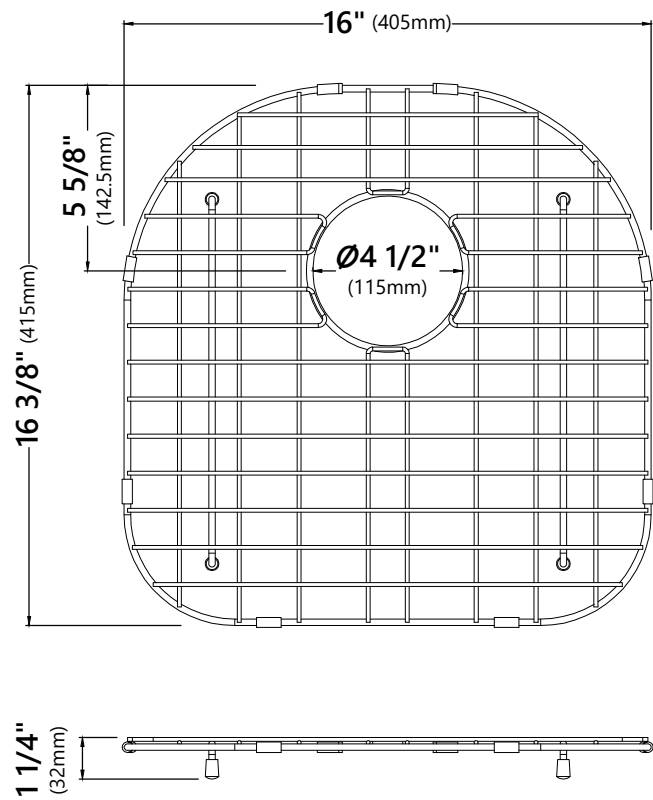
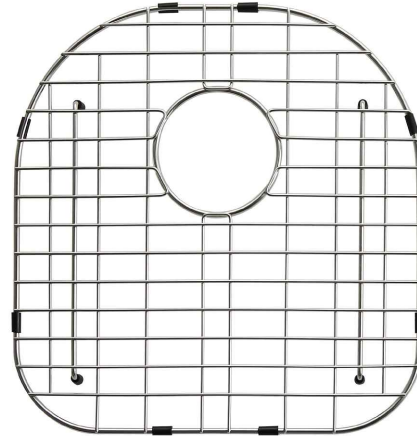
#### Features

- Commercial grade stainless steel construction
- For Use with the KBU27 kitchen sink
- Protects bottom of sink from daily wear and tear
- Rubber feet provide additional protection

#### Warranty

Kraus One Year Limited Warranty

see website for details [www.kraususa.com](http://www.kraususa.com)



## BST-1

### Stainless Steel Basket Strainer

#### Basket Strainer Dimensions

Overall Dimensions: 4 1/2" x 4 1/2"

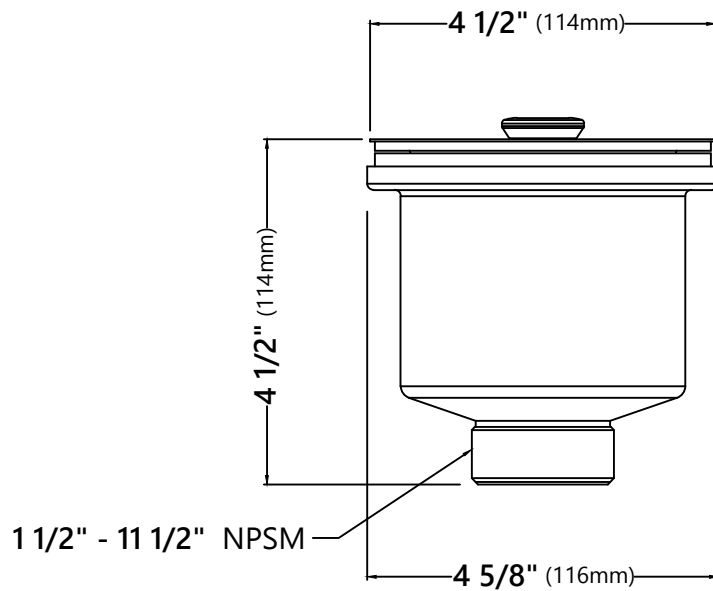
#### Features

- Premium Stainless Steel Construction
- Fits Standard 3 1/2" or 4" Drain Openings
- Removable Basket Prevents Debris from Clogging Drain Pipe

#### Warranty

Kraus Limited Lifetime Warranty

see website for details [www.kraususa.com](http://www.kraususa.com)



## ST-1

### Stainless Steel Kitchen Sink Strainer

#### Strainer Dimensions

Overall Dimensions:  $\phi 4 \frac{1}{2}''$  x  $3 \frac{3}{4}''$

#### Features

- Premium Stainless Steel construction
- Fits Standard  $3 \frac{1}{2}''$  or  $4''$  Drain Opening
- Open/Close Stopper Prevents Debris from Clogging Drain Pipe

#### Available Finishes

- Stainless Steel



#### Warranty

Kraus Limited Lifetime Warranty

see website for details [www.kraususa.com](http://www.kraususa.com)

