

KHU100-32

32 Inch Undermount Single Bowl
Stainless Steel Kitchen Sink

Kräus[®]

SPECIFICATION SHEET

Sink Dimensions

Overall Dimensions: 32" x 19"

Bowl Dimensions: 30" x 17"

Sink Depth: 10"

Features

- 16 Gauge Stainless Steel Construction
- Single Bowl Undermount Handmade Sink
- Required Minimum Cabinet Size: 36" Left to Right, 24" Front to Back
- Rear Center-Set Drain
- 3 1/2" Drain Opening
- NoiseDefend Undercoating and Sound Dampening Pads

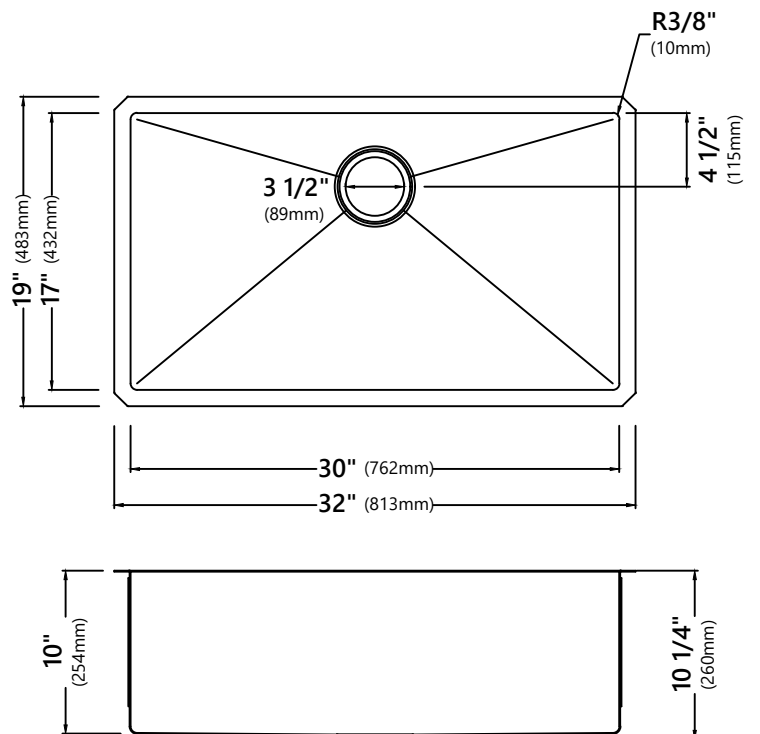
Accessories Included

- Basket Strainer BST-1
- Bottom Grid KBG-100-32
- Cut-Out Template
- Mounting Hardware
- Towel

CODES/STANDARDS:

Product Certification

cUPC (ASME A112.19.3/CSA B45.4)



Warranty

Kraus Limited Lifetime Warranty

see website for details www.kraususa.com

Kraus USA Customer Service

1.800.775.0703 | customerservice@kraususa.com

REV. April 30, 2019

KBG-100-32

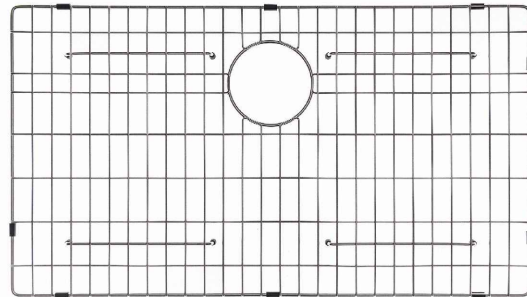
Stainless Steel Kitchen Sink Bottom Grid

Grid Dimensions

Overall Dimensions: 29 1/2" x 16 5/8" x 1 1/8"

Features

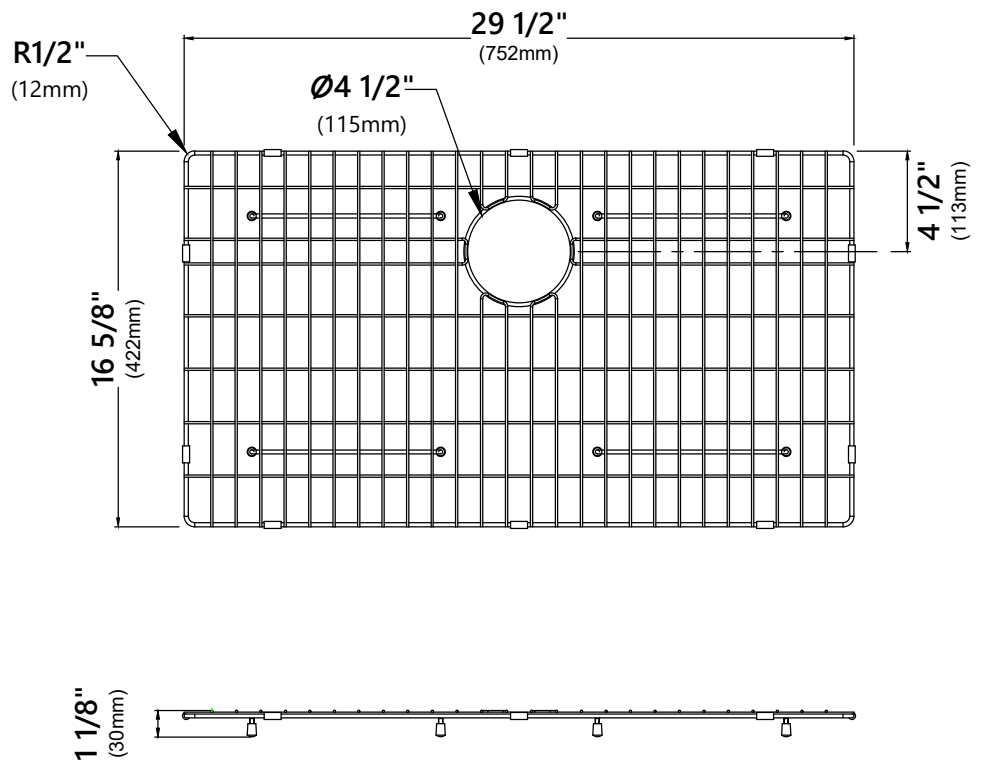
- Commercial grade stainless steel construction
- For Use with the KHU100-32 kitchen sink
- Protects bottom of sink from daily wear and tear
- Rubber feet provide additional protection



Warranty

Kraus One Year Limited Warranty

see website for details www.kraususa.com



BST-1

Stainless Steel Basket Strainer

Basket Strainer Dimensions

Overall Dimensions: 4 1/2" x 4 1/2"

Features

- Premium Stainless Steel Construction
- Fits Standard 3 1/2" or 4" Drain Openings
- Removable Basket Prevents Debris from Clogging Drain Pipe

Warranty

Kraus Limited Lifetime Warranty

see website for details www.kraususa.com

