

# KHU101-13

13 Inch Undermount Single Bowl  
Stainless Steel Kitchen Sink

# Kräus®

SPECIFICATION SHEET

### Sink Dimensions

Overall Dimensions: 13" x 15"

Bowl Dimensions: 11" x 13"

Sink Depth: 8"

### Features

- 16 Gauge Stainless Steel Construction
- Undermount Single Bowl Sink
- Required Minimum Cabinet Size: 15" Left to Right, 20" Front to Back
- Rear Center-Set Drain
- 3 1/2" Drain Opening
- NoiseDefend Undercoating and Sound Dampening Pads

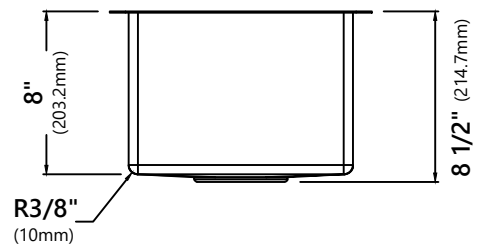
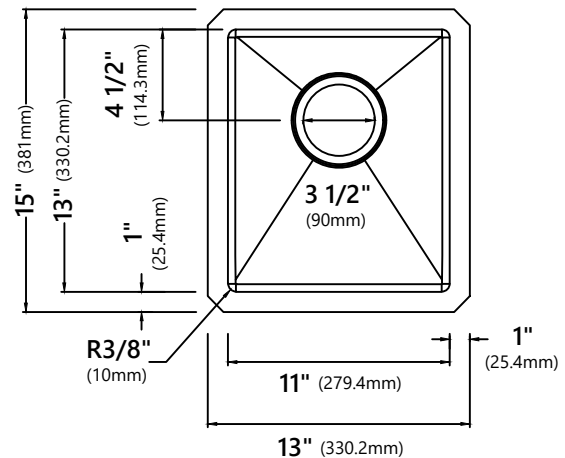
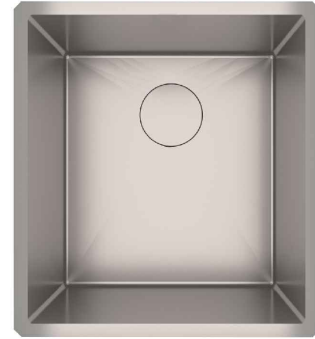
### Accessories Included

- Strainer ST-1
- Drain Cap STC-2
- Towel
- Cut-Out Template
- Mounting Hardware

### CODES/STANDARDS:

#### Product Certification

cUPC (ASME A112.19.3/CSA B45.4)



### Warranty

Kraus Limited Lifetime Warranty

see website for details [www.kraususa.com](http://www.kraususa.com)

## ST-1

### Stainless Steel Kitchen Sink Strainer

#### Strainer Dimensions

Overall Dimensions:  $\phi 4 \frac{1}{2}''$  x  $3 \frac{3}{4}''$

#### Features

- Premium Stainless Steel construction
- Fits Standard  $3 \frac{1}{2}''$  or  $4''$  Drain Opening
- Open/Close Stopper Prevents Debris from Clogging Drain Pipe

#### Available Finishes

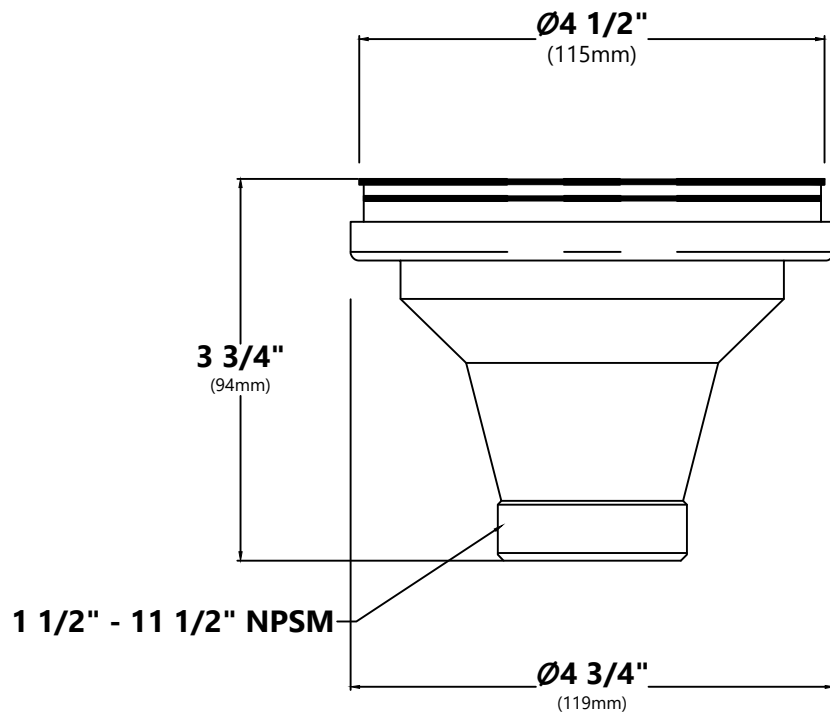
- Stainless Steel



#### Warranty

Kraus Limited Lifetime Warranty

see website for details [www.kraususa.com](http://www.kraususa.com)



## STC-2

### Removable Decorative Drain Cover

#### Drain Cap Dimensions

Overall Dimensions:  $\varnothing 4 \frac{1}{2}'' \times 5/8''$

#### Features

- Premium Stainless Steel Construction
- Fits Standard  $3 \frac{1}{2}''$  Drain Opening
- Allows Water to Drain Easily When Installed
- Conceals Garbage Disposal and Waste Fittings for a Seamless Look
- Compatible with Standart Pro™, Pax™, Kore™, Outlast Microshield™ and Premier™ Kitchen sinks

#### Available Finishes

- Stainless Steel
- PVD Gunmetal



#### Warranty

Kraus Limited Lifetime Warranty

see website for details [www.kraususa.com](http://www.kraususa.com)

