

KHU104-33

33 Inch Undermount Double Bowl Stainless Steel Kitchen Sink

Sink Dimensions

Overall Dimensions: 32 3/4" x 19"
Large Bowl Dimensions: 16 7/8" x 17"
Small Bowl Dimensions: 12 7/8" x 17"
Sink Depth: 10"

Features

- 16 Gauge Stainless Steel
- Undermount Installation
- Double Bowl Sink
- 60/40 Split
- Handmade
- Required Minimum Cabinet Size: 36"
- Rear Center-Set Drains
- 3 1/2" Drain Opening
- NoiseDefend Undercoating and Sound Dampening Pads

Accessories Included

- Basket Strainer BST-1 & ST-1
- Bottom Grid KBG-104-33-1
- Bottom Grid KBG-104-33-2
- Cut-Out Template
- Mounting Hardware
- Towel

CODES/STANDARDS:

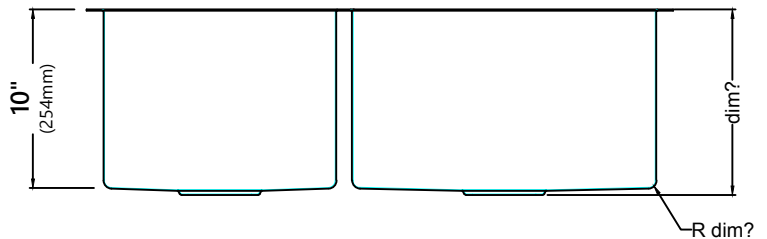
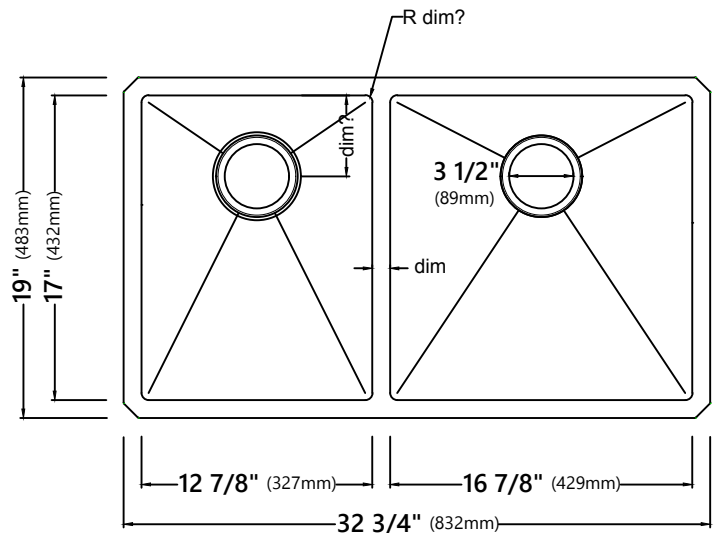
Product Certification

cUPC (ASME A112.19.3/CSA B45.4)

Warranty

Kraus Limited Lifetime Warranty

see website for details www.kraususa.com



KBG-104-33-1

Stainless Steel Kitchen Sink Bottom Grid

Grid Dimensions

Overall Dimensions: 16 1/2" x 16 1/2" x 1 3/8"

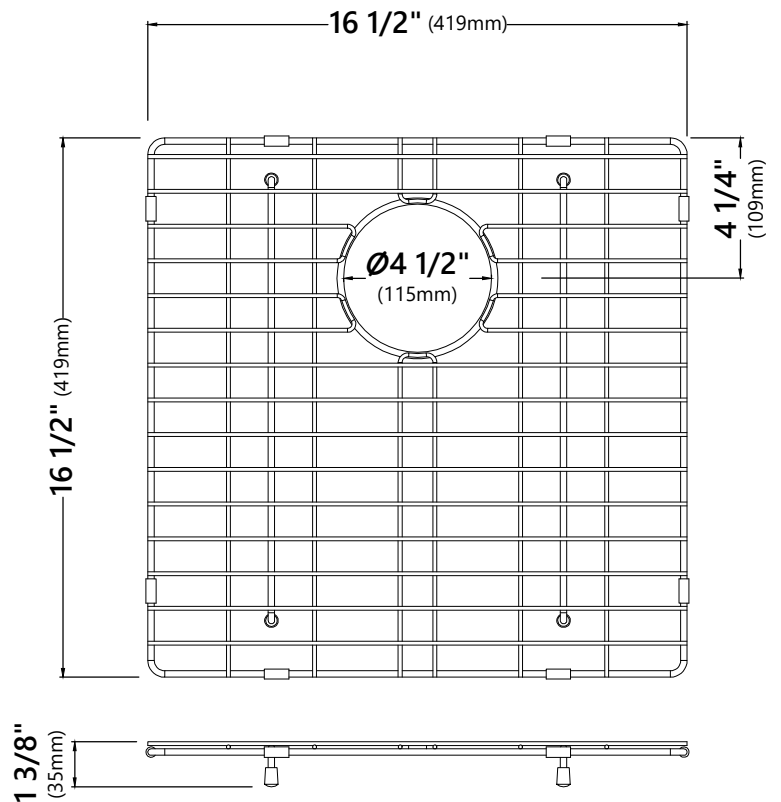
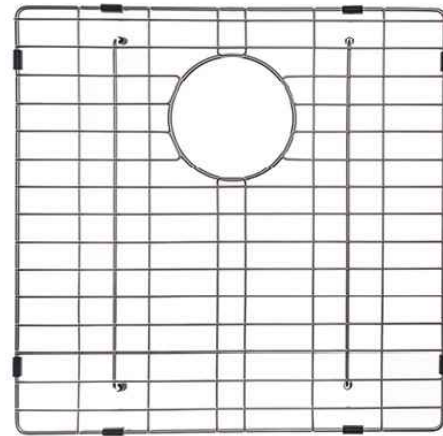
Features

- Commercial grade stainless steel construction
- For Use with the KHU104-33 kitchen sink
- Protects bottom of sink from daily wear and tear
- Rubber feet provide additional protection

Warranty

Kraus One Year Limited Warranty

see website for details www.kraususa.com



KBG-104-33-2

Stainless Steel Kitchen Sink Bottom Grid

Grid Dimensions

Overall Dimensions: 12 1/2" x 16 1/2" x 1 3/8"

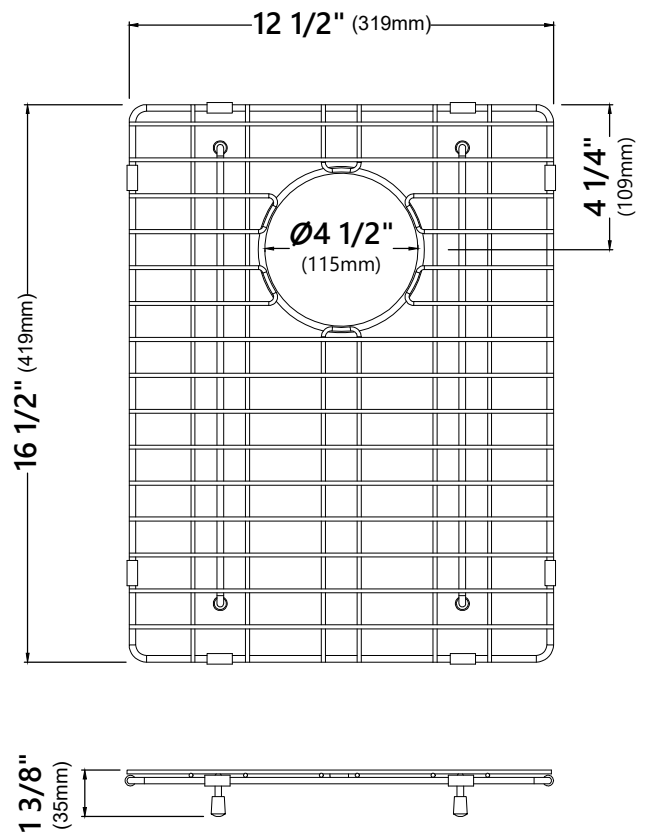
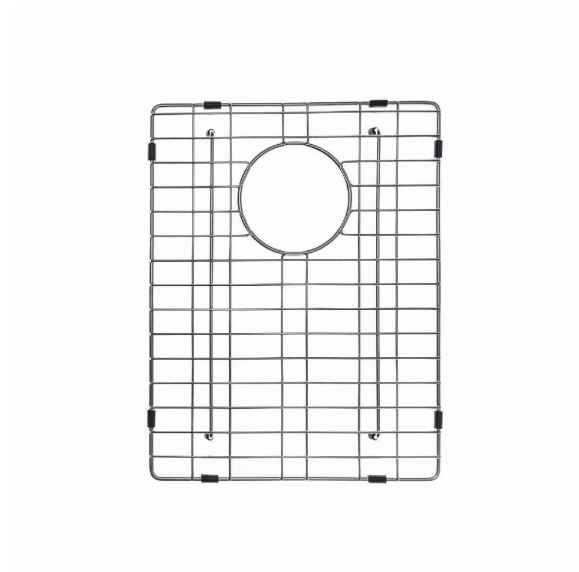
Features

- Commercial grade stainless steel construction
- For Use with the KHU104-33 kitchen sink
- Protects bottom of sink from daily wear and tear
- Rubber feet provide additional protection

Warranty

Kraus One Year Limited Warranty

see website for details www.kraususa.com



BST-1

Stainless Steel Basket Strainer

Basket Strainer Dimensions

Overall Dimensions: 4 1/2" x 4 1/2"

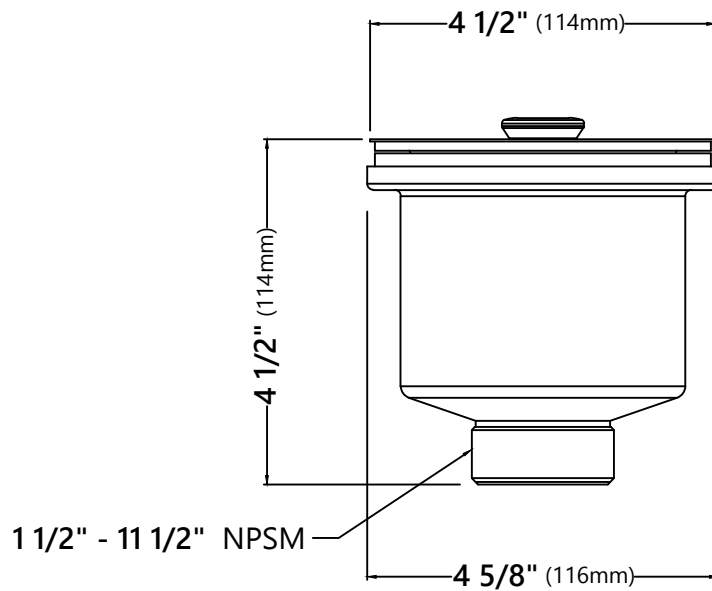
Features

- Premium Stainless Steel Construction
- Fits Standard 3 1/2" or 4" Drain Openings
- Removable Basket Prevents Debris from Clogging Drain Pipe

Warranty

Kraus Limited Lifetime Warranty

see website for details www.kraususa.com



ST-1

Stainless Steel Kitchen Sink Strainer

Strainer Dimensions

Overall Dimensions: $\phi 4 \frac{1}{2}$ " x $3 \frac{3}{4}$ "

Features

- Premium Stainless Steel construction
- Fits Standard $3 \frac{1}{2}$ " or 4" Drain Opening
- Open/Close Stopper Prevents Debris from Clogging Drain Pipe

Available Finishes

- Stainless Steel



Warranty

Kraus Limited Lifetime Warranty

see website for details www.kraususa.com

