
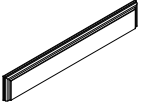


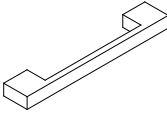
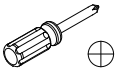
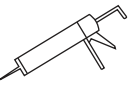


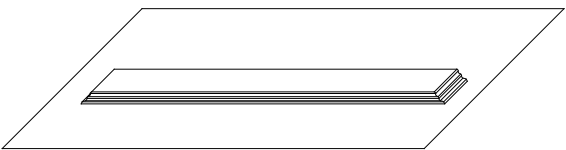
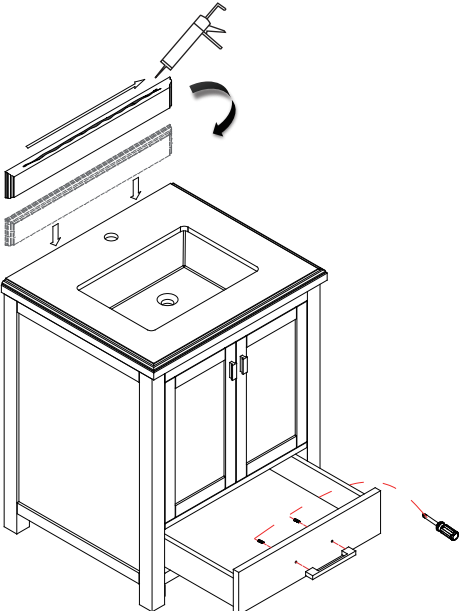
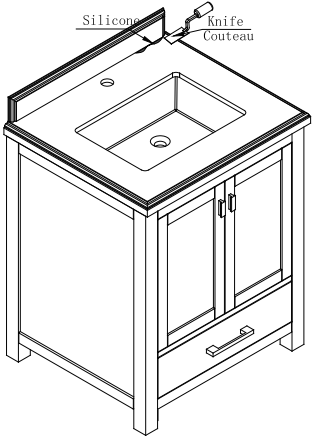
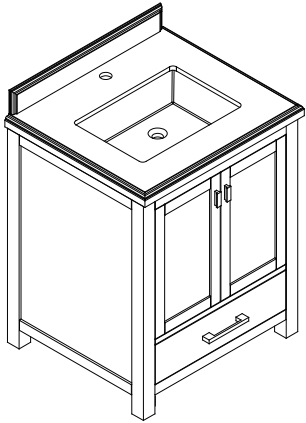



Model: Wilson - 24"

Installation Instructions

Notes: We recommend that you rough-in the drain and water lines after receiving the unit.
 The vanity should be installed by a professional plumber.
 Drainer pipe and trap are not included.
 If you experience any difficulties with this product, do not return to the point of purchase. Please contact LAVIVA directly at support@lavivaforlife.com, and we will help resolve your issue.

Part List	A (cabinet)  x1	B (backsplash)  x1	C (screw)  x6	D (handle)  x2	D (handle)  x1	
Tools required	 screwdriver(phillips)		 silicone		 level	 tape measure
<h3>Step 1</h3> <p>CAUTION Handle the backsplash with extreme care! Stone backsplash are very fragile. Always handle gently and place them flat on a soft surface.</p> 			<h3>Step 2</h3> 			
<h3>Step 3</h3> 			<h3>Step 4</h3>  <div style="text-align: right;">  </div>			