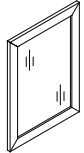

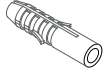
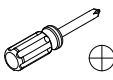


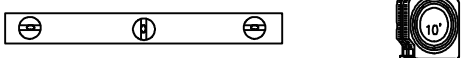


## Model: Mirror

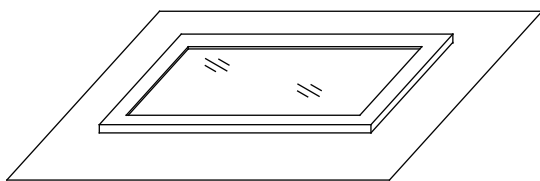
### Installation Instructions

**Notes:** In the hole on the wall, please be sure to be careful to avoid the internal cables and pipelines. If you experience any difficulties with this product, do not return to the point of purchase. Please contact LAVIVA directly at [support@lavivaforlife.com](mailto:support@lavivaforlife.com), and we will help resolve your issue.

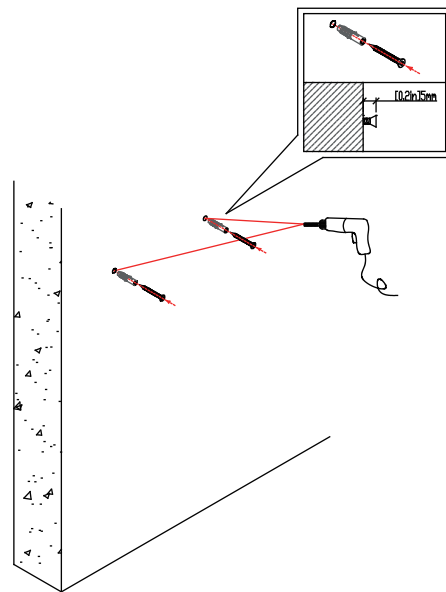
Part List	<p>A (Mirror)</p>  <p>x1</p>	<p>B (Screw)</p>  <p>x2</p>	<p>C (Expansion)</p>  <p>x2</p>	
Tools required	 <p>screwdriver(phillips)</p>	 <p>pencil</p>	 <p>drill</p>	 <p>level</p> <p>tape measure</p>

### Step 1

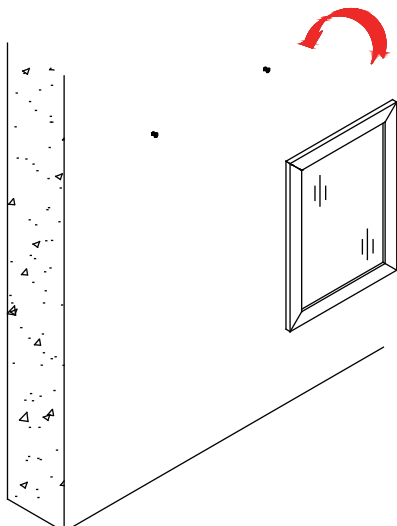
**CAUTION**  
Please install the mirror carefully as it is very fragile. Always handle gently and place them flat on a soft surface. Please mark the screw holes position before drilling, in case of broken the wall.



### Step 2



### Step 3



### Step 4

