

# V002

LARGE FLAT BOTTOM MOSAIC

## DETAILS

Mosaic Interior

Installation Type: Drop-In or Undermount

## AVAILABLE FINISHES (RIM)

<b>DB</b>	Dark Bronze
<b>WC</b>	Weathered Copper
<b>PN</b>	Polished Nickel
<b>SN</b>	Satin Nickel
<b>UM</b>	Undermount

Drain Flange grouted into place, tail piece and parts are shipped with sink.

## SPECIFY WHEN ORDERING

<b>A</b>	Single Color
<b>AR</b>	Single Color Random
<b>B</b>	Polka Dot
<b>C</b>	Star
<b>D</b>	Swirl
<b>E</b>	Windows
<b>F</b>	Confetti
<b>FR</b>	Random Confetti
<b>G</b>	Stripes

## Tile Color By Number

Numbers are grouped by height. Only choose tiles with same height.

<b>1-12</b>	Venetian Glass (call for pricing)
<b>13-17</b>	Tumbled Stone
<b>18-20</b>	Mother of Pearl

## AVAILABLE DRAINS

<b>D001</b>	2" Bar Drain
<b>D003</b>	3.5" Basket Strainer
<b>D004</b>	Grid Strainer
<b>D005</b>	Lift & Turn
<b>D006</b>	Pop-up w/ lift rod
<b>D007</b>	Disposal Flange
<b>D101-D720</b>	Decorative Drains

## INSTALLATION

Drain should be installed first.

**DROP-IN:** Cut opening large enough for the sink to be "dropped in" to countertop.

**UNDERMOUNT:** Cuts in countertop are up to the discretion of the installer. Clips or other installation method must be provided by the fabricator/installer.

Use 100% silicone to adhere sink to countertop.

## CARE

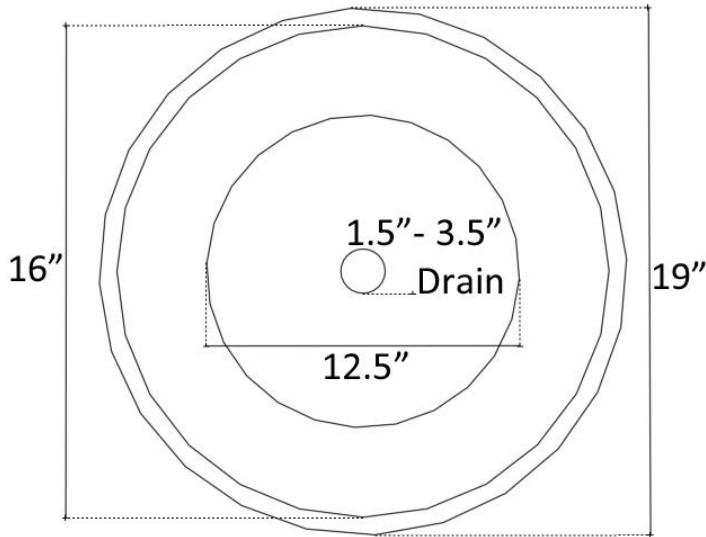
Clean with mild soap. No abrasive chemicals

## WARRANTY

Linkasink warranties our product to be free from manufacturing defect for the life of the product. Warranty does not cover abuse.



All Dimensions Are Approximate



## DIMENSIONS WILL VARY

**DO NOT** use this sheet as a guide for countertop cuts. Due to the handmade nature of each product, templates are not provided.

