

MOEN® COMMERCIAL

Specifications

DESCRIPTION

- Handheld shower
- 69" double interlock spiral hose (metal)

OPERATION

- Single function
- Handshower holder rotates to adjust angle of handshower

FLOW

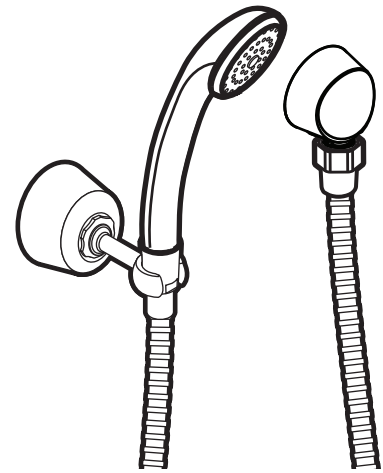
- Designed to deliver 1.5 gpm (5.7 L/min) at 80 psi

STANDARDS

- Designed and manufactured to comply with the applicable requirements of ASME A112.18.1/CSA B-125.1 and ASSE 1014 and all applicable specifications referenced therein
- Backflow prevention compliance through ASME A112.18.3

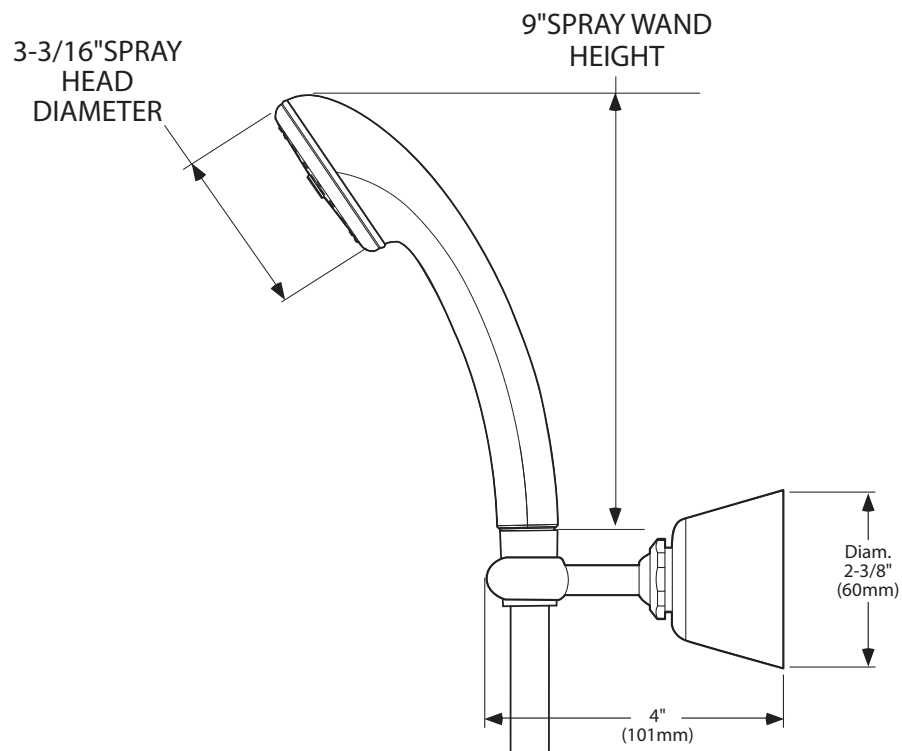
WARRANTY

- Limited lifetime warranty against material or manufacturing defects



Handshower with Bracket & Hose

Model: 52748EP15



CRITICAL DIMENSIONS

(DO NOT SCALE)