

*There is more than 1 version of this model.  
Page down to identify the version you have.*

## PRODUCT DESCRIPTION

- Sensor operated, exposed water urinal flushometer with brass angle stop valve
- Brass construction with chrome plated finish
- Chloramine resistant seals
- 3/4" IPS inlet supply
- 3/4" top spud
- High back pressure vacuum breaker
- All flush valves are intended for use with compatible flush volume fixtures as specified by the fixture manufacturer. WaterSense® labeled flush valves should be used with a WaterSense® labeled fixture that has a compatible flush volume to ensure complete system performance.

## OPERATION

- Self-cleaning Accuset™ piston flush technology
- Mechanical override
- Adjustable infrared sensor range up to 15"
- Optional 24 hour Sentinel Flush (factory setting is off)
- Operating Pressure Range: 20-125psi
- Compatible with 104630 transformer, powers up to 8 flush valves


## FLOW RATE

- **8312AC10** (1.0gpf/3.8Lpf)
- **8315AC05** (0.5gpf/1.9Lpf) - **WaterSense® certified**
- **8316AC** (0.125 gpf/0.5Lpf) - **WaterSense® certified**

## STOP VALVE

- All metal 3/4" IPS vandal resistant angle stop with double o-ring connection
- Adjustable installation (left or right connection)

## STANDARDS

- Third party certified to meet: ASSE1037 / ASME A112.1037 / CSA125.37, ASME A112.19.2 / CSA B45.1 and all applicable requirements referenced therein
- BAA
- ADA 

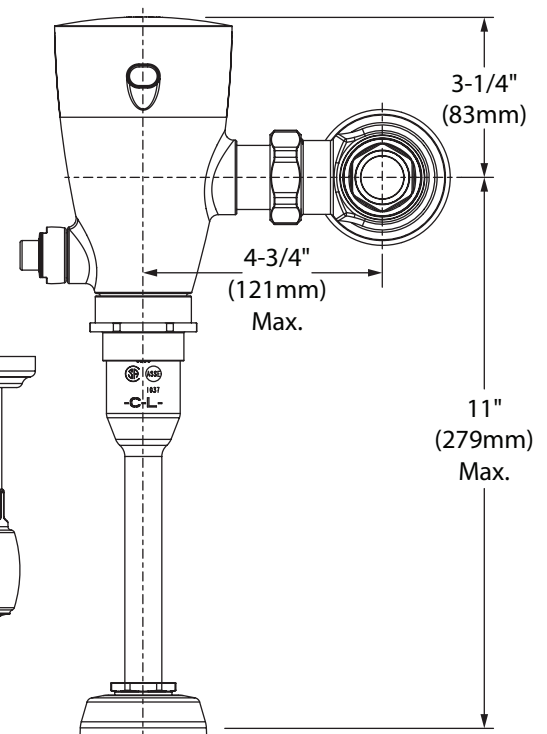
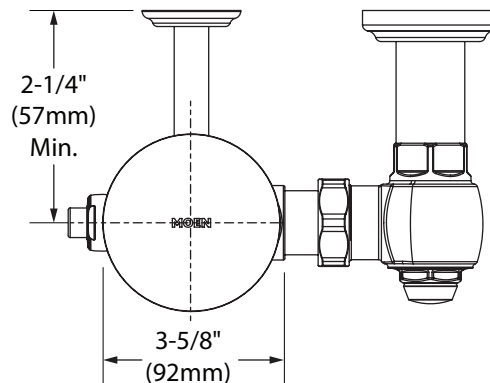
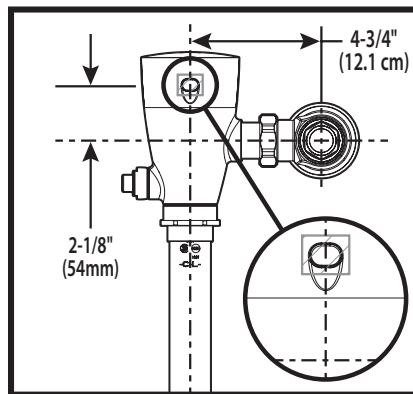
## WARRANTY

- Warranted for 5 years against material or manufacturing defects



## M-POWER™ 3/4" AC Powered Sensor Exposed Style Urinal Flush Valve

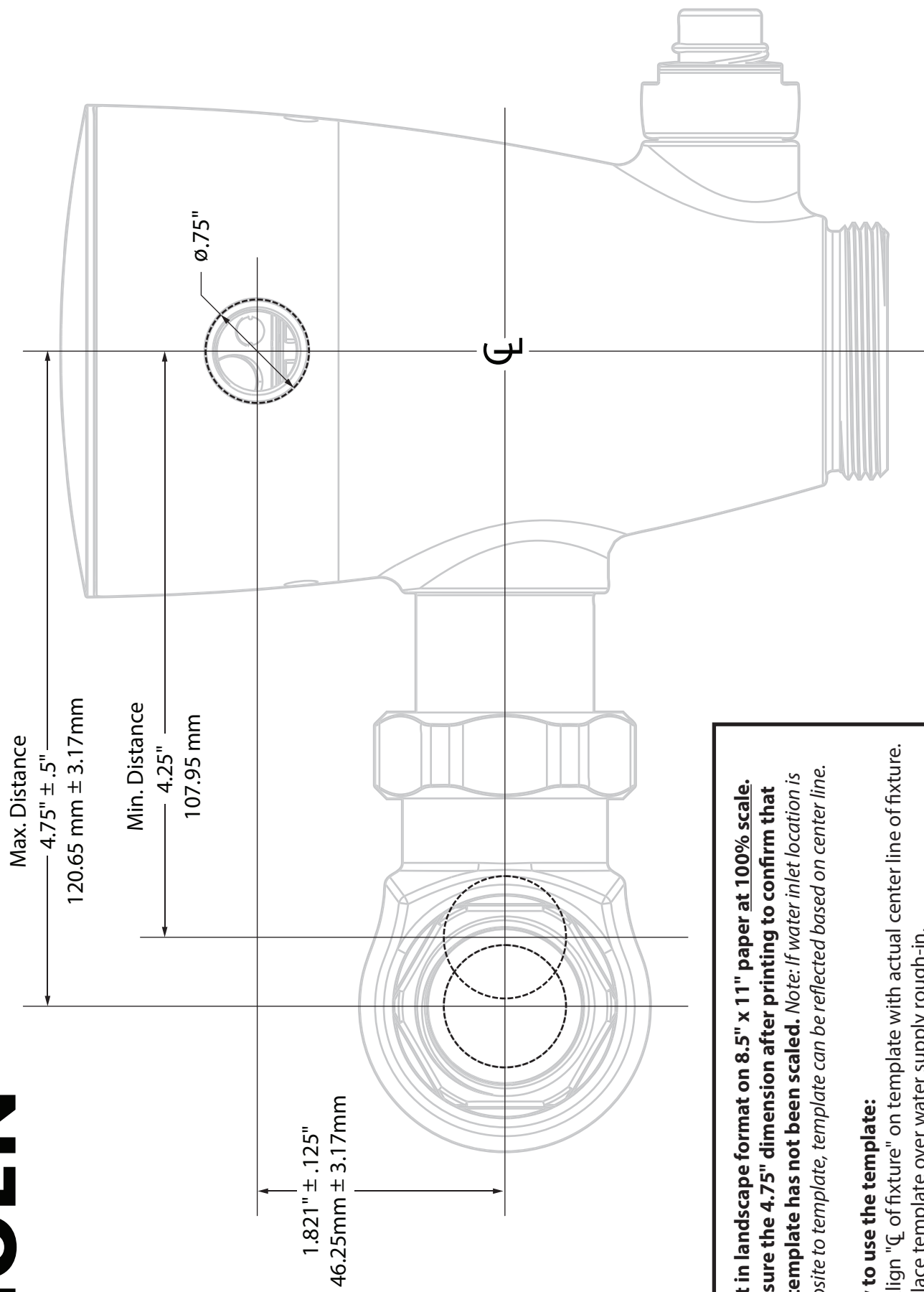
**Models:** 8312AC10, 8315AC05,  
8316AC



## CRITICAL DIMENSIONS

(DO NOT SCALE)

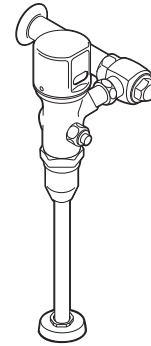
# MOEN®



**Print in landscape format on 8.5" x 11" paper at 100% scale. Measure the 4.75" dimension after printing to confirm that the template has not been scaled. Note: If water inlet location is opposite to template, template can be reflected based on center line.**

**How to use the template:**

1. Align "⌒ of fixture" on template with actual center line of fixture.
2. Place template over water supply rough-in.
3. Cut out water and power supply openings (dotted lines).



## M-POWER™ 3/4" AC Powered Sensor Exposed Style Urinal Flush Valve

**Models:** 8312AC10, 8315AC05,  
8316AC



### PRODUCT DESCRIPTION

- Brass construction w/chrome plated finish
- 3/4" IPS supply
- 3/4" top spud
- 6" cable tube
- 18 guage x 24" (+) (-) wire leads
- Optional power adapters
- Single AC transformer (12v) #104406
- Multi-unit AC transformer (powers up to 8 units) #104401
- All flush valves are intended for use with compatible flush volume fixtures as specified by the fixture manufacturer. WaterSense® labeled flush valves should be used with a WaterSense® labeled fixture that has a compatible flush volume to ensure complete system performance.

### OPERATION

- Adjustable sensor eye
- Low consumption AC powered (12 Volt transformer required)
- Self-diagnostic electronics
- Piston flushing mechanism
- Self cleaning filter system

### FLOW RATE

- **8312AC10** (1.0gpf/3.8Lpf)
- **8315AC05** (0.5gpf/1.9Lpf) - **WaterSense® certified**
- **8316AC** (0.125 gpf/0.5Lpf) - **WaterSense® certified**
- 0.125 gpf (.48 lpf)
- 24 hour sentinel flush
- Mechanical manual override button

### STOP VALVE

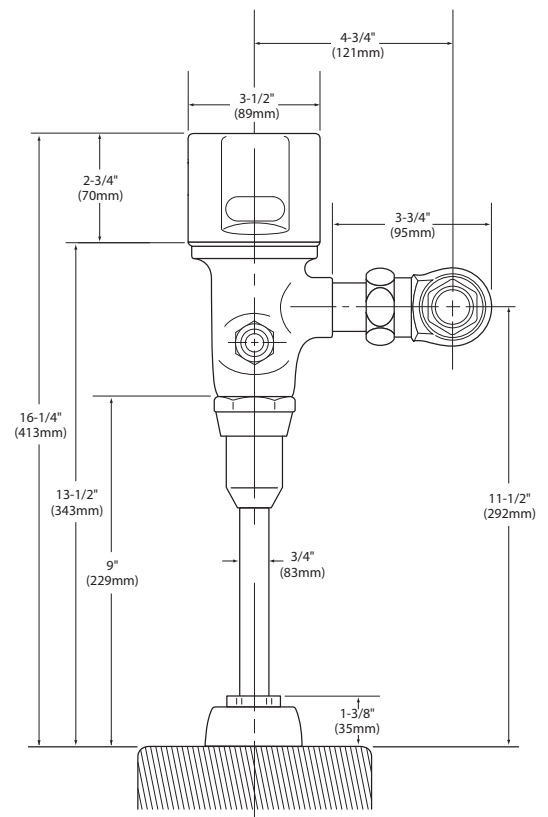
- All metal 3/4" IPS vandal resistant angle stop with double o-ring connection
- Adjustable installation (left or right connection)

### STANDARDS

- Third party certified to meet: ASSE1037 / ASME A112.1037 / CSA125.37, ASME A112.19.2 / CSA B45.1 and all applicable requirements referenced therein
- BAA
- ADA

### WARRANTY

- Warranted for 5 years against material or manufacturing defects



### CRITICAL DIMENSIONS

(DO NOT SCALE)