

# CFG

Model: **40514 Series With Spray**  
**40512 Series Without Side Spray**



**DESCRIPTION**

- Metal construction with various finishes identified by suffix
- Hose reach 34", hose length 48", Duralock™ Quick Connect installation
- 40514: Chrome finish, white spray, white spray escutcheon
- 40514C: Chrome finish, chrome spray, chrome spray escutcheon
- 24" flexible supplies with 3/8" compression fittings
- Six (6) individual boxes per master carton

**OPERATION**

- Pivot action, lever-style handle
- Temperature control by 90° arc
- Will operate with less than 5 lbs. of force

**FLOW**

- Spout flow limited to 1.5 gpm (5.7 L/min) at 60 psi

**CARTRIDGE**

- Ceramic disc technology
- Non-metallic, non-ferrous, and plastic material
- Single body construction for easy replacement

**NOTE**

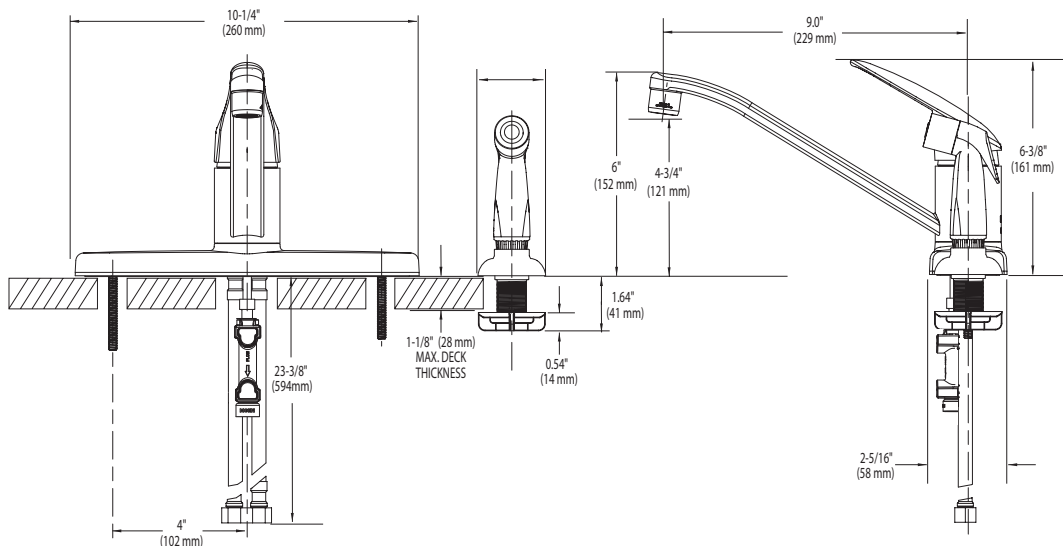
- 40514 series is designed to install through 4 holes 1-1/4" (32mm) MIN. DIA. and 4" (102mm) on center

**STANDARDS**

- Third party certified to ASME A112.18.1/CSA B-125.1, and all applicable requirements referenced therein, including NSF61/9 & 372
- Complies with California Proposition 65, and the Federal Safe Drinking Water Act
- All CFG products are compliant to all plumbing codes that require 3rd party certification to the applicable plumbing/fitting standards
- Feature red/blue hot/cold temperature indicators
- ADA for lever handle

**WARRANTY – RESIDENTIAL, COMMERCIAL**

- Ten year limited warranty against defects in materials and manufacturing workmanship
- Refer to the installation instructions enclosed with each CFG product or call 1-888-450-4910 for complete warranty information



**CRITICAL DIMENSIONS**  
(DO NOT SCALE)

# CFG

Model: **CA40514 Series With Spray**  
**CA40512 Series Without Side Spray**



**DESCRIPTION**

- Metal construction with various finishes identified by suffix
- Hose reach 34", hose length 48", Duralock™ Quick Connect installation
- CA40514: Chrome finish, white spray, white spray escutcheon
- CA40514C: Chrome finish, chrome spray, chrome spray escutcheon
- 24" flexible supplies with 3/8" compression fittings
- Six (6) individual boxes per master carton

**OPERATION**

- Pivot action, lever-style handle
- Temperature control by 90° arc
- Will operate with less than 5 lbs. of force

**FLOW**

- Spout flow limited to 1.5 gpm (5.7L/min) at 60 psi

**CARTRIDGE**

- Ceramic disc technology
- Non-metallic, non-ferrous, and plastic material
- Single body construction for easy replacement

**NOTE**

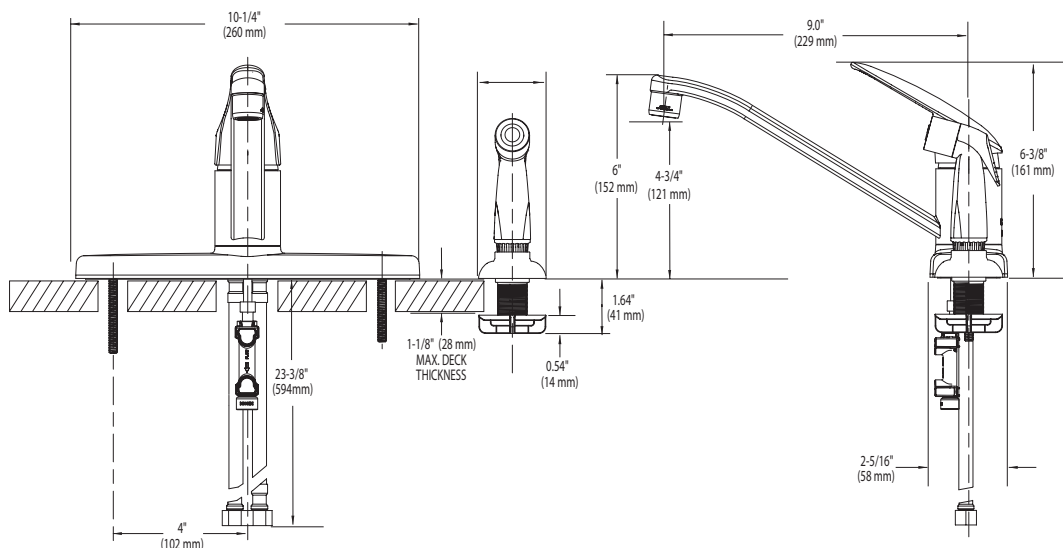
- CA40514 series is designed to install through 4 holes 1-1/4" (32mm) MIN. DIA. and 4" (102mm) on center

**STANDARDS**

- Third party certified to WaterSense®, IAPMO Green, ASME A112.18.1/CSA B-125.1, and all applicable requirements referenced therein, including NSF61/9
- Meets CalGreen and Georgia SB370 requirements
- Complies with California Proposition 65, and the Federal Safe Drinking Water Act
- All CFG products are compliant to all plumbing codes that require 3rd party certification to the applicable plumbing/fitting standards
- Feature red/blue hot/cold temperature indicators
- ADA for lever handle

**WARRANTY – RESIDENTIAL, COMMERCIAL**

- Ten year limited warranty against defects in materials and manufacturing workmanship
- Refer to the installation instructions enclosed with each CFG product or call 1-888-450-4910 for complete warranty information



**CRITICAL DIMENSIONS**  
 (DO NOT SCALE)

CLEVELAND FAUCET GROUP • 25300 AL MOEN DRIVE • NORTH OLMSTED, OHIO 44070 • (888) 450-5522 • www.cfgonline.com