

Following these mounting instructions with the hardware included will be more than sufficient to support console installation.

Console Installation Hardware



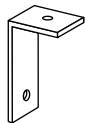
x2 spacer



x2 nuts



x2 bolt



x2 L bracket



x2 wall anchor

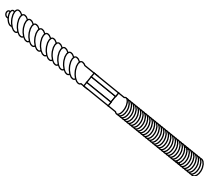


x2 screw



x12 screw

Included Sink Installation Hardware (optional)



x2 hanger bolts (8mm)



x2 washer



x2 wall anchor

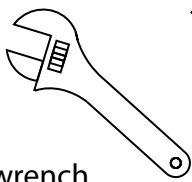


x2 insulation sleeve

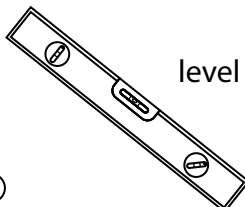


x2 nuts

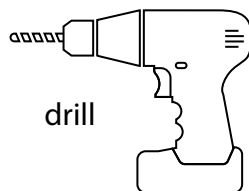
Tools You May Need



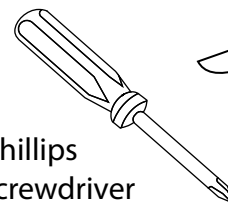
wrench



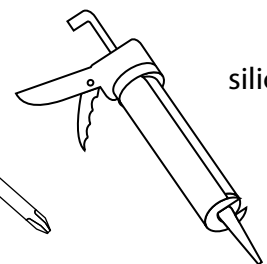
level



drill



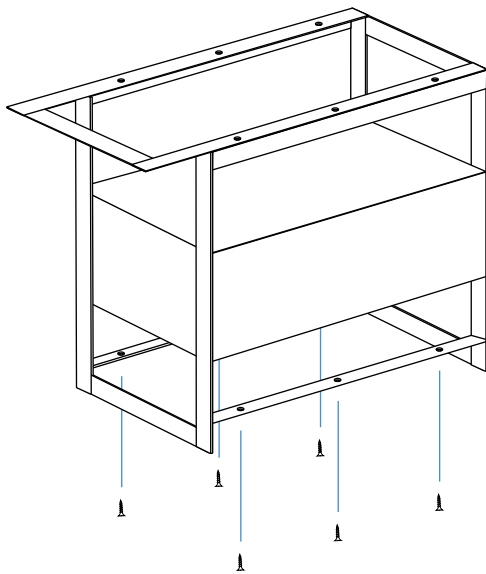
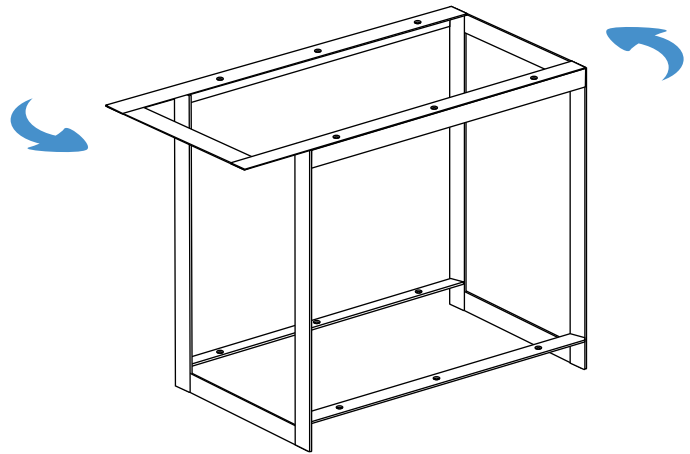
phillips screwdriver



silicone

1. Decide Orientation

Console can be mounted with towel bar on the left or right side.

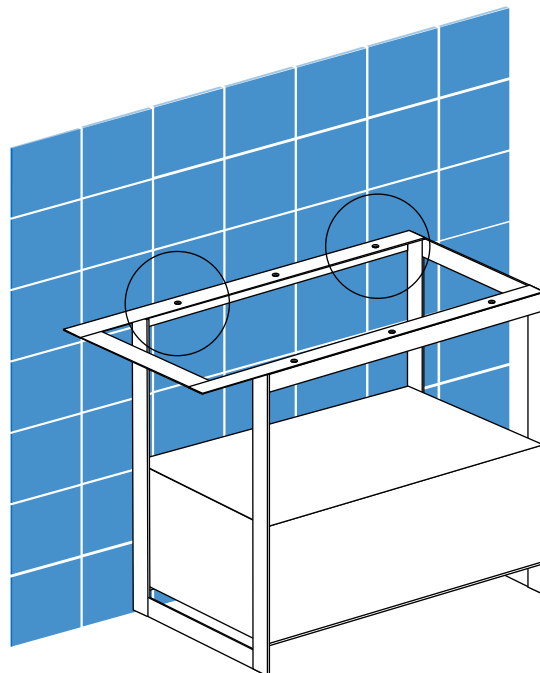
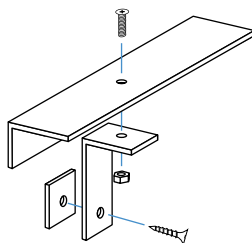


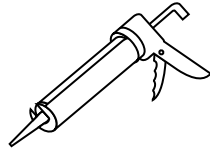
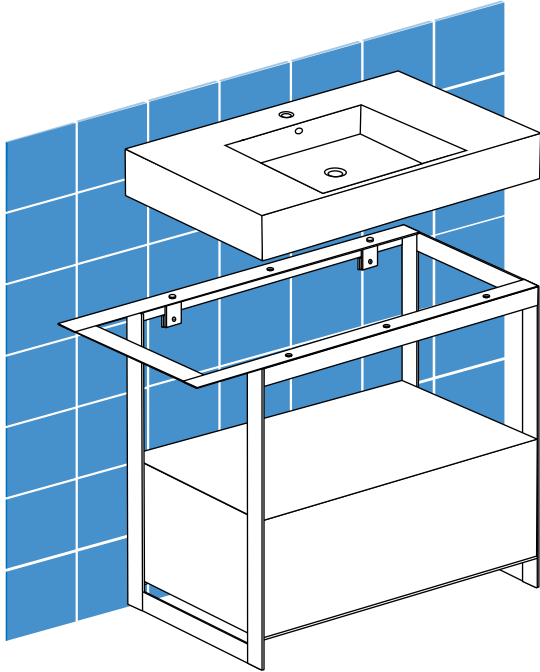
2. Attach Drawer

Attach drawer to console with screws.

3. Mount Console To Wall

Attach brackets to rear console crossbar with bolts. Install wall anchors. Mount console to wall.





4. Attach Sink

Attach sink to console using silicone on the two crossbars to secure it. Finish with protective bead of silicone between sink and wall.

5. Sink Accessories

Complete your installation by adding the preferred plumbing accessories, such as the faucet, click clack drain, p-trap and angle valves to your sink.

