

# Pro Series Collection

30 Inch Large Prep Station Single Bowl Undermount  
Stainless Steel Kitchen Sink (Small Radius)



# Nantucket

S I N K S

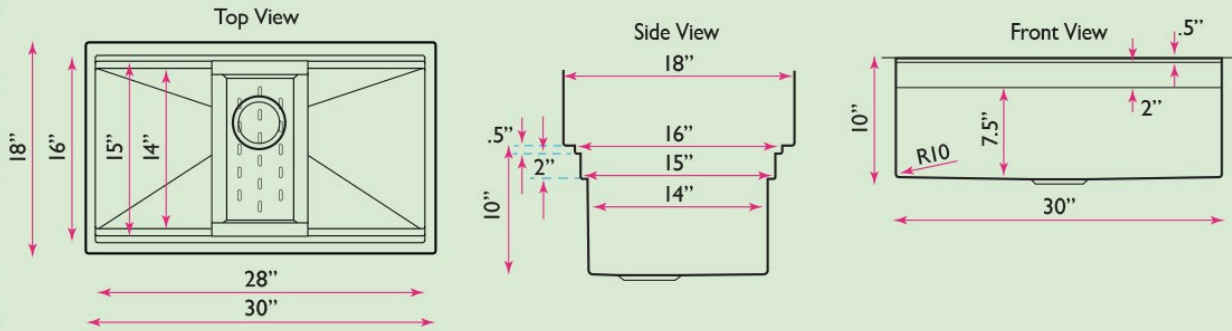
model:

## SR-PS-3018-16

www.NantucketSinksUSA.com  
info@nantucketsinksusa.com



SPECS



OVERALL DIMENSIONS	INTERIOR BOWL	INTERIOR LEDGE DIMENSIONS	BOWL DEPTH	BOTTOM GRID
30" x 18" x 10"	28" x 14"	28" x 16"; 28" x 15"	10"	Included

## FEATURES:

- Premium 304, 16 gauge stainless steel kitchen sink
- Colander drain, colander, cutting board and grid included
- Colander (fits 15" ledge)
- Cutting board (fits 16" ledge)
- Brushed satin finish
- Limited lifetime manufacturer's warranty
- Insulated to reduce condensation
- Rubber padding is applied for noise reduction
- Undermount installation

Project Name: \_\_\_\_\_

Architect / Contractor: \_\_\_\_\_

Job Notes: \_\_\_\_\_

\_\_\_\_\_

\_\_\_\_\_