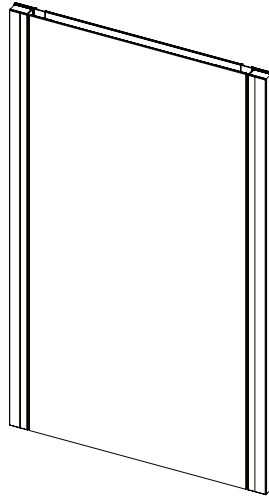


Suitable for damp locations



CONTENTS

- Assembling the brackets - **5**
- Mounting the brackets to the cabinet - **6**
- Access the Electrical Enclosure - **7**
- Recess Installation - **8**
- Surface Mount Installation - **10**
- Final Assembly - **13**
- Français / Español - **17**

GENERAL INFORMATION

This instruction sheet contains information on how to install the Vesper Edgeline Lights. This series comes in many variations. Please refer to the box or product label for the specific model number. A key is provided on page 2.

Save these instructions for future use and reference. An improper installation voids the warranty. Carefully inspect the lights for damage. Installed products cannot be returned.

If you experience any problems with your lights, contact your dealer or Robern directly.

Limited Warranty — One Year Term

DIMMER RECOMMENDATIONS

For dimmable models Robern recommends the Maestro® C•L® Dimmer from LUTRON®, Model # MACL-153M.
<http://www.lutron.com/TechnicalDocumentLibrary/369613a.pdf>

Other LED control dimmers may operate with this product but have not been tested or verified. It's recommended that the dimmer be within reach of your mirror so you can adjust the brightness.

For on/off (non-dimming) operation a standard wall switch may be substituted in place of the dimmer.

MODEL NUMBERS

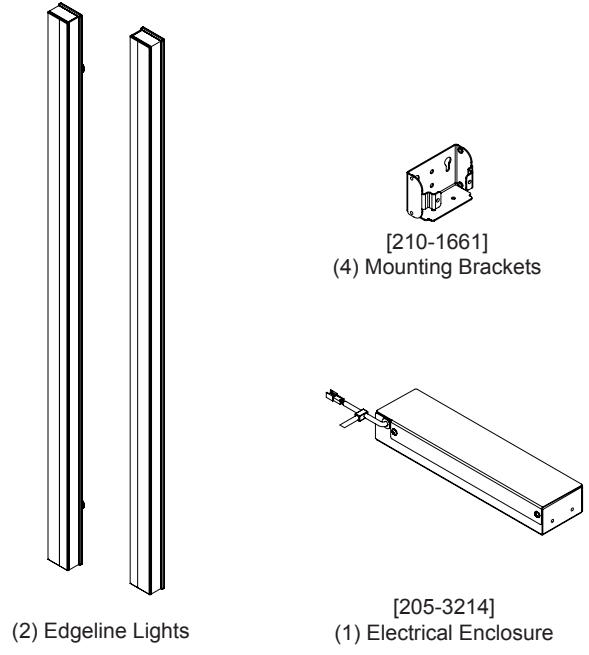
Use the chart below to learn how to read your light model number. This chart references the model number for 1-3/8" W x 40" H Vesper Edgeline Lights with a silver metal finish. Consult the Robern Price Book for a complete list of model numbers.

Model Numbers	G	L	A	40	E	L	P	S	3	D
Product Line	G = Vesper									
Category	L = Lights									
Width	A = 1-3/8" / 35 mm									
Height	30 = 30" / 762 mm 36 = 36" / 914 mm 40 = 39-3/8" / 1000 mm									
Light Name	E = Edgeline									
Type of Lamp	L = LED									
Quantity of Lamps	P = Pair Lamp									
Main Body Color	S = Silver									
Color Temperature	3 = 3000K									
Engine Type	D = Dimmable									

TOOLS NEEDED



PARTS

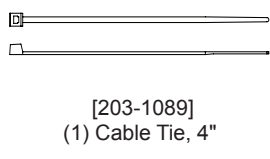
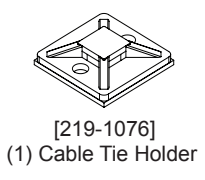
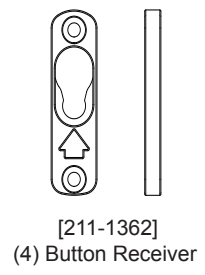
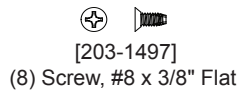
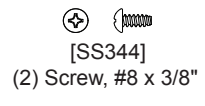
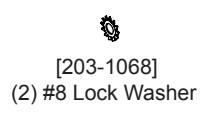
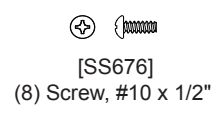
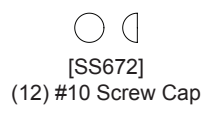
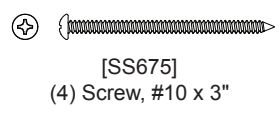


(2) Edgeline Lights

[210-1661]
(4) Mounting Brackets

[205-3214]
(1) Electrical Enclosure

Hardware Bag*
[216-1195]



* Depending on installation, not all parts will be used





© 2020 Robern, Inc. 701 N. Wilson Ave. Bristol, PA 19007 U.S.A.
800.877.2376 www.robern.com


Part no. 209-1330_rA rev. 02/28/20
Vesper Edgeline Lights

NOTES

Unpack the Lights. Check the box thoroughly for all hardware and loose parts. Carefully inspect the fixture for damage.

 **DANGER:** Risk of personal injury. To avoid possible electrical shock, the electricity must be turned off at the circuit breaker or fuse box before attempting any installation procedure.

 **DANGER:** Risk of personal injury. To avoid possible electrical shock, the light fixture must be properly grounded.

 **CAUTION:** Grounding instructions for permanently connected products: This product must be connected to a grounded, metal permanent wiring system or an equipment-grounding conductor must be run with the circuit conductors and connected to the equipment-grounding terminal or lead on the product. All wiring should be done by a qualified licensed electrician.

IMPORTANT: Power for the lights should be provided separately from the electricity to the cabinet so that when lights are turned off, cabinet electricity remains on.

NOTE: Requires minimum 120 VAC 15 amp circuit.

NOTE: Requires an approved compatible dimmer for installation (not included). Refer to the dimmer recommendation on page 2.

Observe all applicable electrical codes and building codes. Wire the light fixtures in accordance with the electrical codes.

This fixture is for indoor use only.

This installation may require the assistance of more than one person depending on your Light/Cabinet configuration.

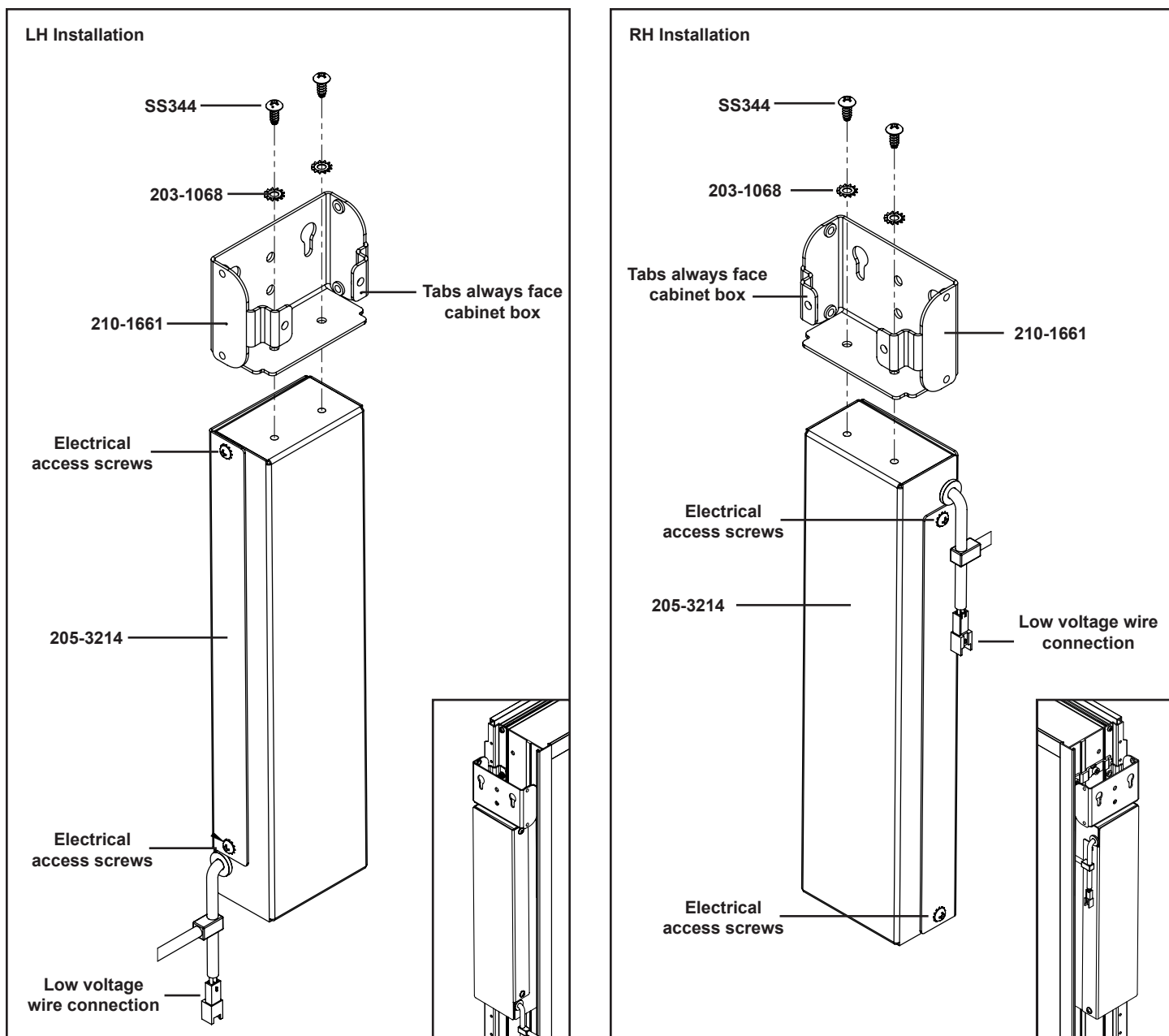
DANGER - RISK OF SHOCK - DISCONNECT POWER BEFORE INSTALLATION

STEP 1 - ASSEMBLING THE BRACKETS

Note: A RH (Right Hand) installation will require the electrical enclosure to be flipped, placing the exiting low voltage wire closer to the upper bracket.

Note: For 1.375 pair installations involving more than one cabinet, a RH installation is required.

1. Orient one of the mounting brackets [210-1661] (as shown) ensuring that the electrical access screws on the electrical enclosure [205-3214] are pointed toward the front of the cabinet.
2. Attach the included electrical enclosure [205-3214] to the bracket using the supplied #8 screws [SS344] and lockwashers [203-1068].



robern

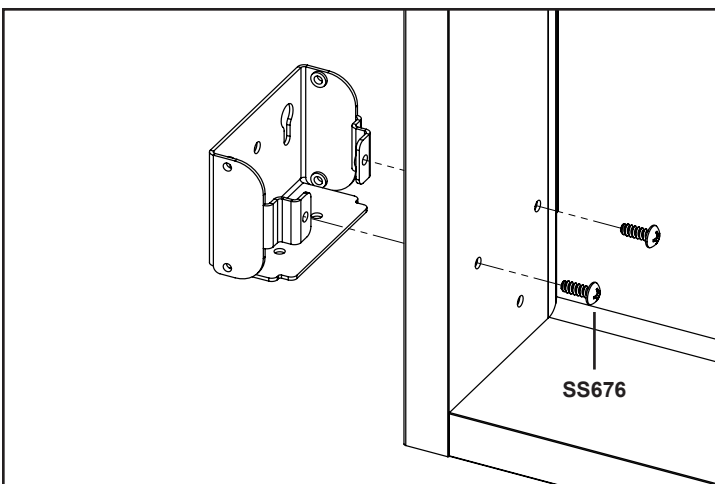
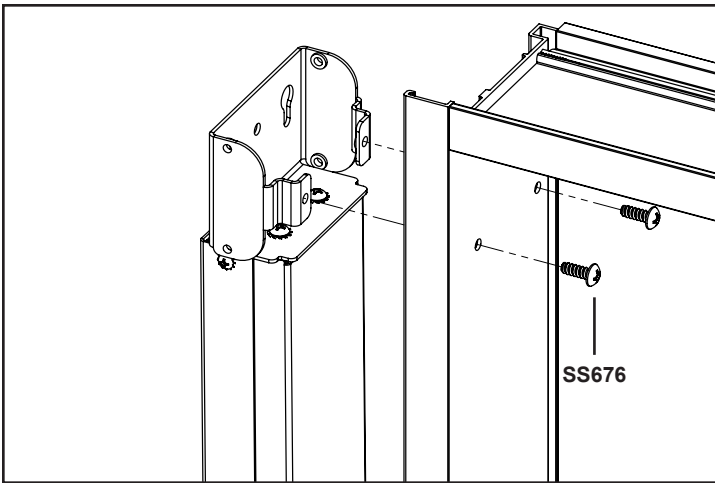
© 2020 Robern, Inc. 701 N. Wilson Ave. Bristol, PA 19007 U.S.A.
800.877.2376 www.robern.com

Part no. 209-1330_rA rev. 02/28/20
Vesper Edgeline Lights

STEP 2 - MOUNTING THE BRACKETS TO THE CABINET

Note: Do not completely tighten the screws. This will allow for any adjustments in later steps.

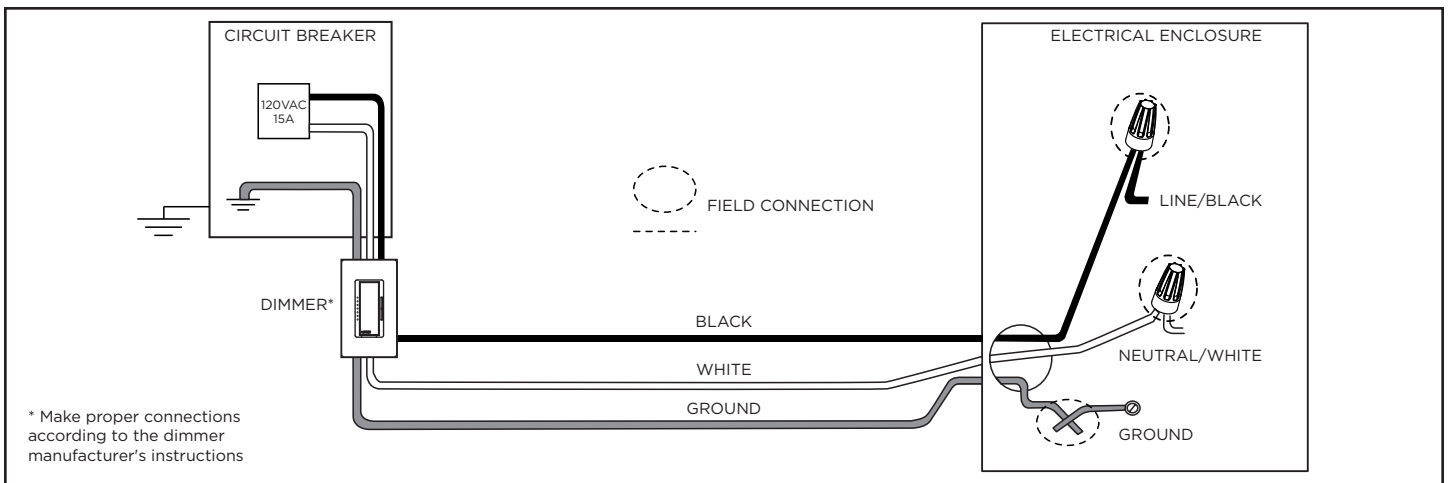
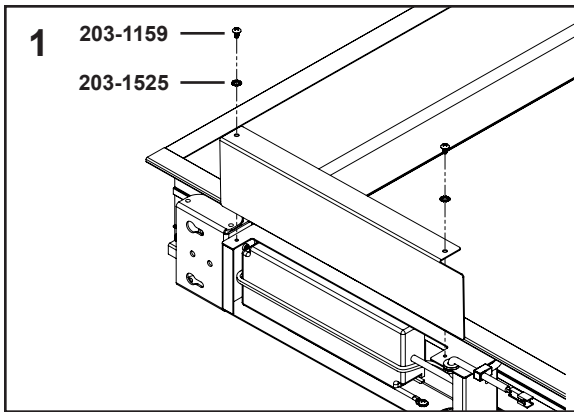
1. Mount the brackets to the cabinet through the ganging locations, as shown, using the supplied #10 screws [SS676].



STEP 3 - ACCESS THE ELECTRICAL ENCLOSURE

Lay the cabinet on a flat level surface.

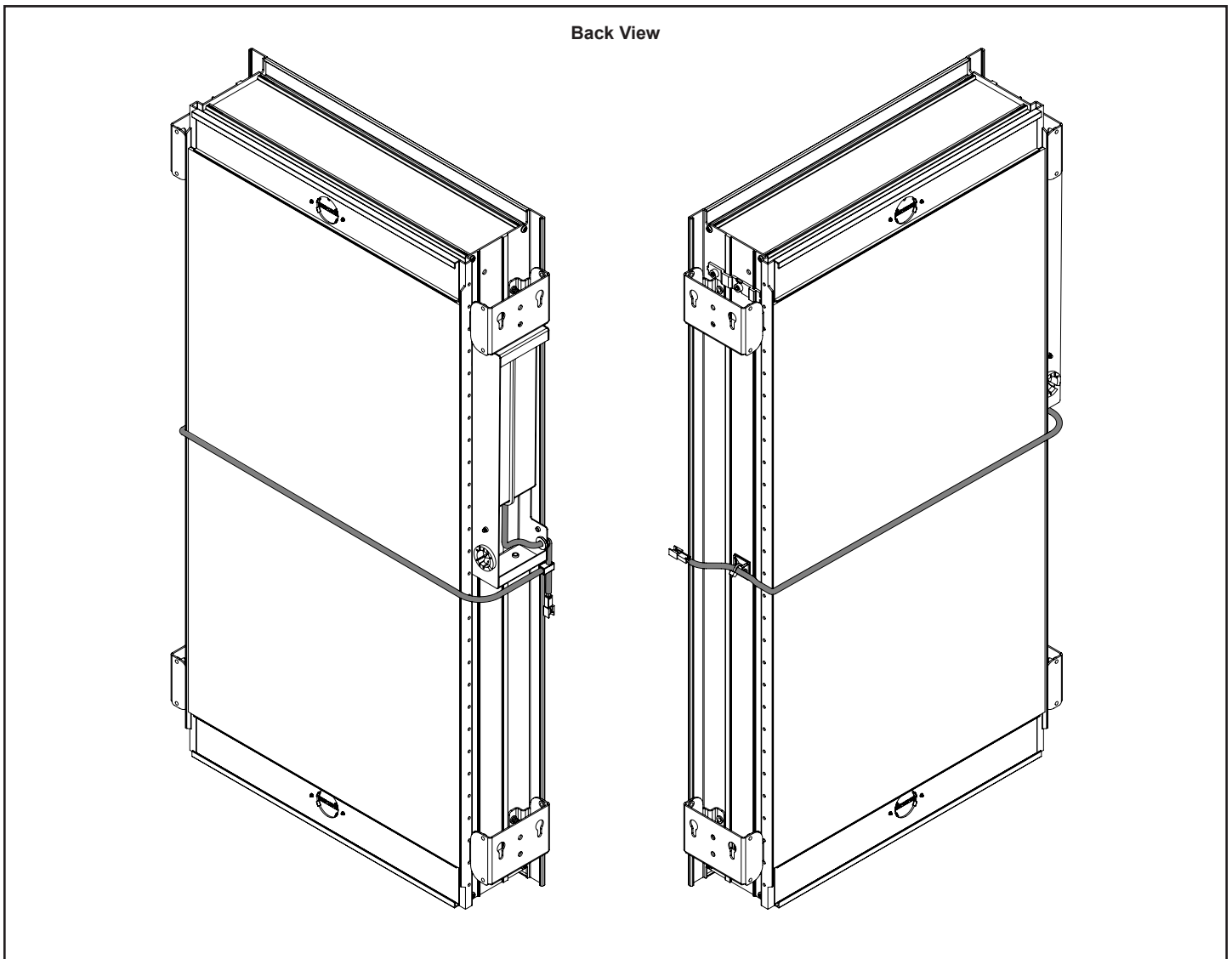
1. Remove the two electrical access screws [203-1159] and lockwashers [203-1525] to access the electrical wiring connections
2. Set all hardware and electrical cover aside in a safe place.



STEP 4A - RECESS INSTALLATION

When connecting the Electrical Enclosure to the remote light, it is recommended to route the wiring so that it does not get pinched during recessed mounting.

1. Centered on the cabinet side opposite the electrical enclosure, attach the wire control mount [219-1076] to the cabinet side by peeling and sticking it in place.
2. Route the wire around the back the cabinet until it reaches the wire control mount.
3. There will be an excess of length (wire will accomodate two ganged 24" cabinets). Coil the excess wire and secure in place with the provided zip tie [203-1089].



robern

© 2020 Robern, Inc. 701 N. Wilson Ave. Bristol, PA 19007 U.S.A.
800.877.2376 www.robern.com

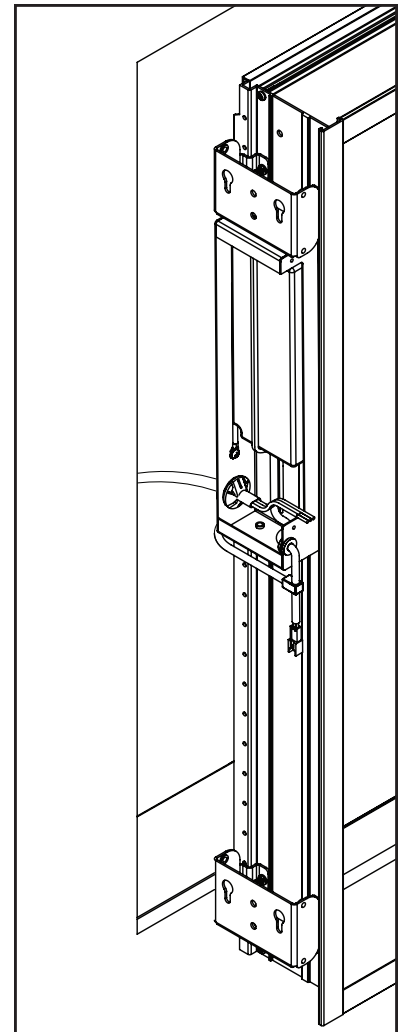
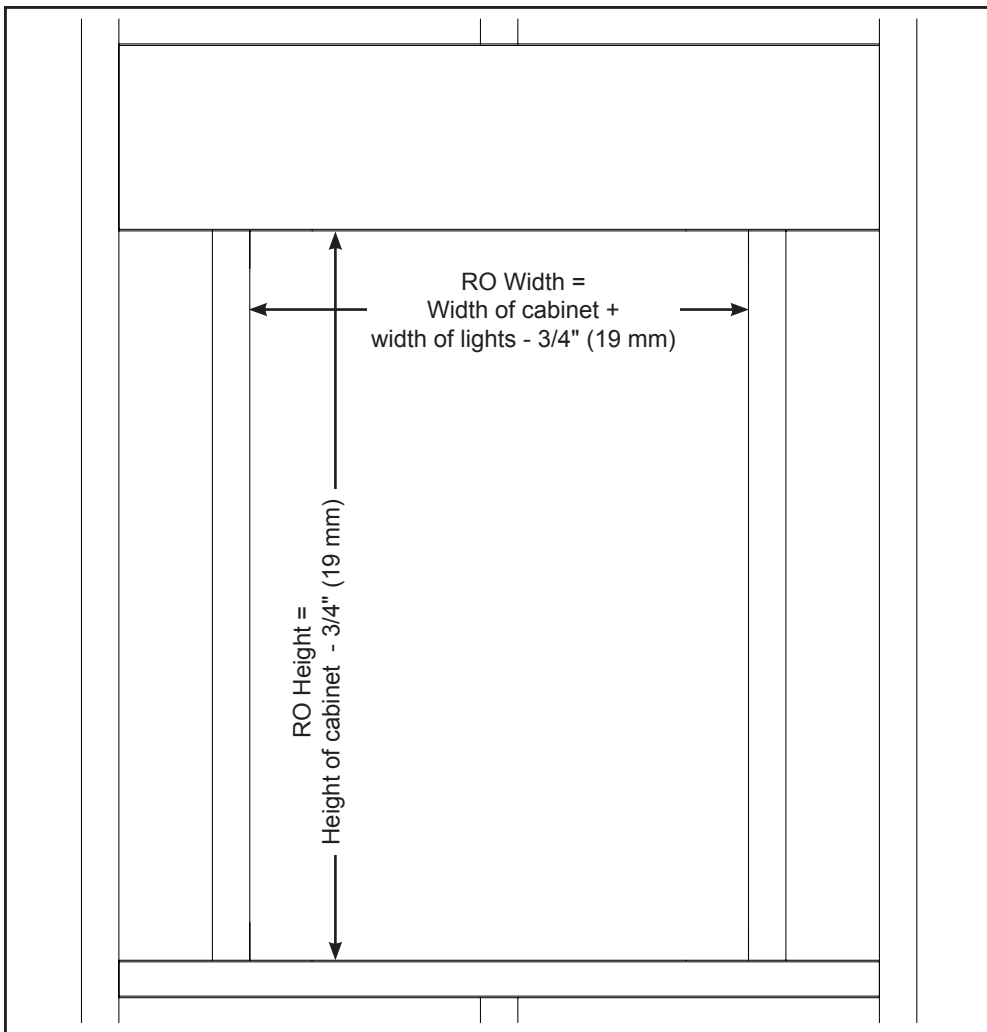
Installation or Assembly Instructions

STEP 4A - RECESS INSTALLATION

4. With the electrical cover removed, support the cabinet on the edge of the recessed opening and feed the field wire through the field wire strain relief at the back of each enclosure.
5. Push the cabinet assembly into the recessed opening until the back of the cabinet flange is tight to the finished wall surface.
6. Using a level, level and plumb the products in the opening. Shim as necessary. Using a square, make sure the cabinet is square in all axis.
7. Make the electrical connection according to the electrical diagram on page 7.

Note: Refer to your cabinet's Instructions to insure there are no additional steps required prior to proceeding.

8. Mount the cabinet in place using the #10 Screws [SS674] provided with the cabinet.



robern

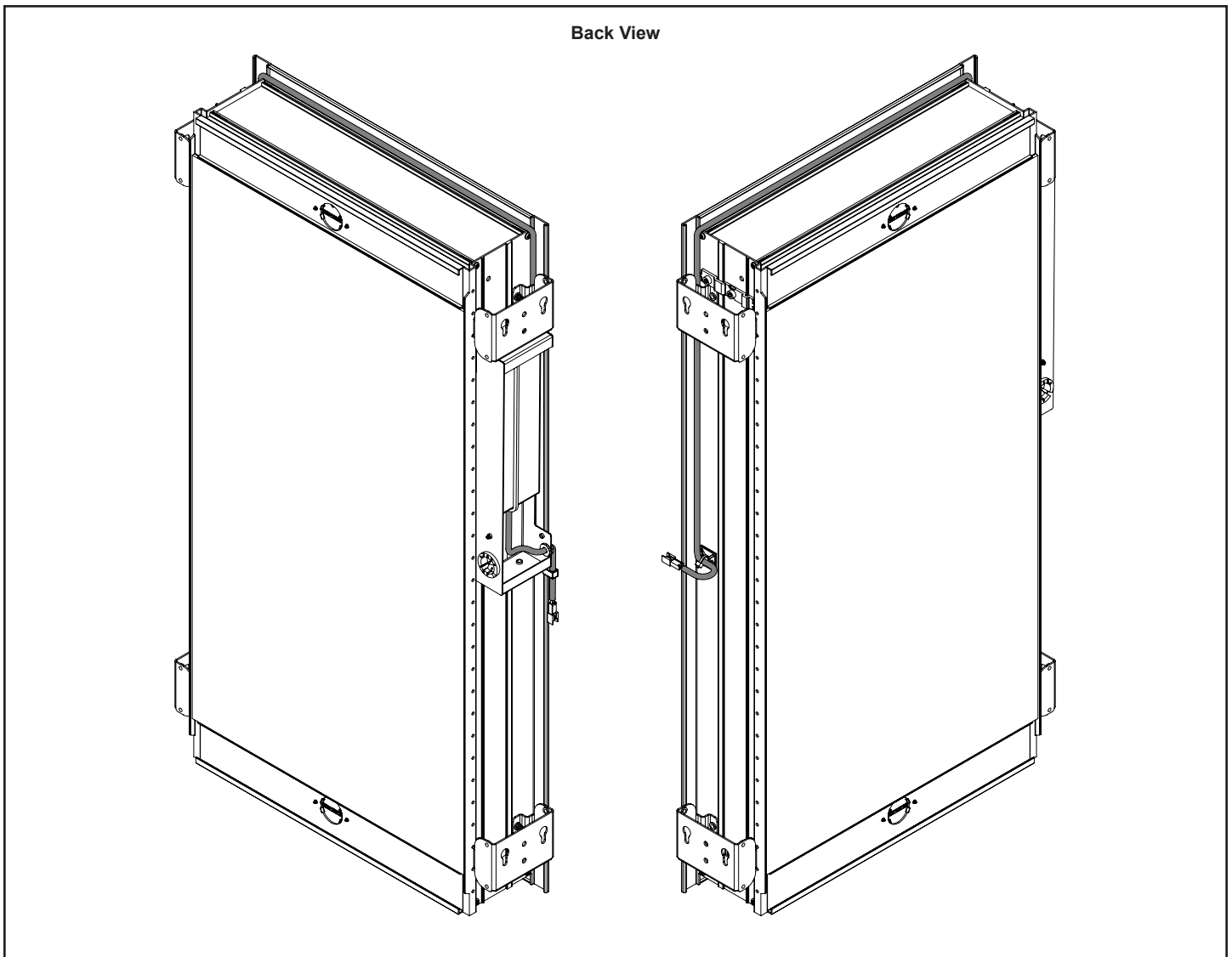
© 2020 Robern, Inc. 701 N. Wilson Ave. Bristol, PA 19007 U.S.A.
800.877.2376 www.robern.com

Installation or Assembly Instructions

STEP 4B - SURFACE MOUNT INSTALLATION

When connecting the Electrical Enclosure to the remote light, it is recommended to route the wiring so that it does not get pinched during surface mounting.

1. Centered on the cabinet side opposite the electrical enclosure, attach the wire control mount [219-1076] to the cabinet side by peeling and sticking it in place.
2. Route the wire upwards, between the cabinet box front flange and the brackets, and over the top of the cabinet until it reaches the wire control mount on the other side of the cabinet box.
3. There will be an excess of length (wire will accommodate two ganged 24" cabinets). Coil the excess wire and secure in place with the provided zip tie [203-1089].



robern

© 2020 Robern, Inc. 701 N. Wilson Ave. Bristol, PA 19007 U.S.A.
800.877.2376 www.robern.com

Installation or Assembly Instructions

Part no. 209-1330_rA rev. 02/28/20
Vesper Edgeline Lights

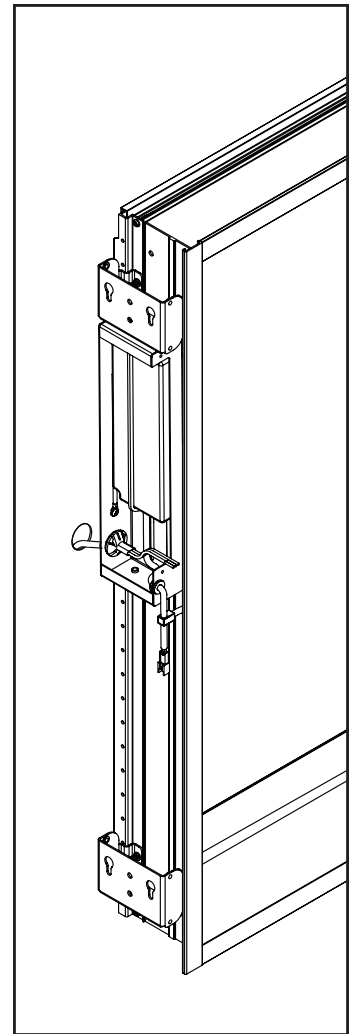
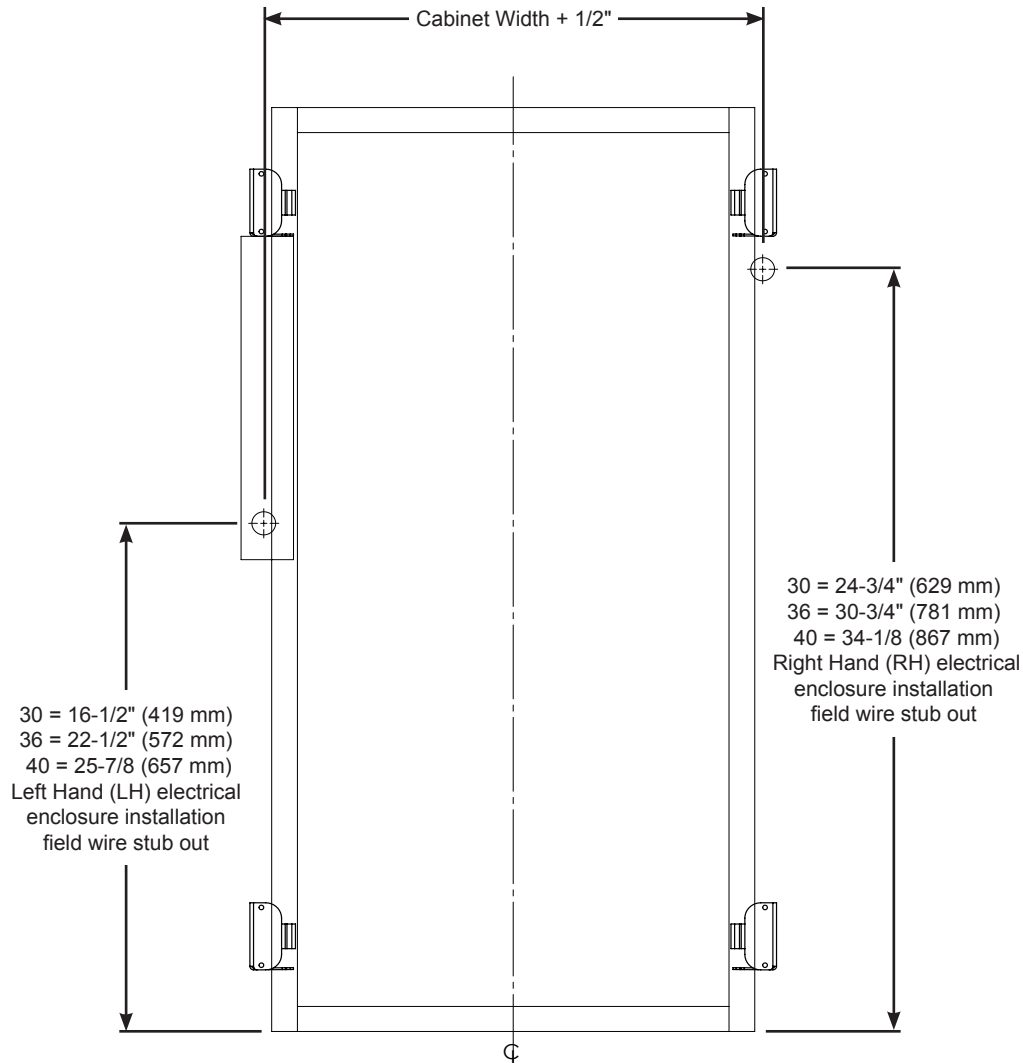
STEP 4B - SURFACE MOUNT INSTALLATION

4. With the electrical cover removed, feed the field wire through the field wire strain relief at the back of the electrical enclosure.

Note: Refer to your cabinet's Instructions to insure there are no additional assembly steps required prior to proceeding.

5. Mount the cabinet in place following the steps provided in the cabinet's instructions.

6. Make the electrical connection according to the electrical diagram on page 7.



STEP 4B - SURFACE MOUNT INSTALLATION

7. Drive the #10 Screws [SS676] provided with the Surface Mount Kit (sold separately) into the holes in the side kit brackets. Use a penny (as detailed in figure 4 below) to set the depth distance.

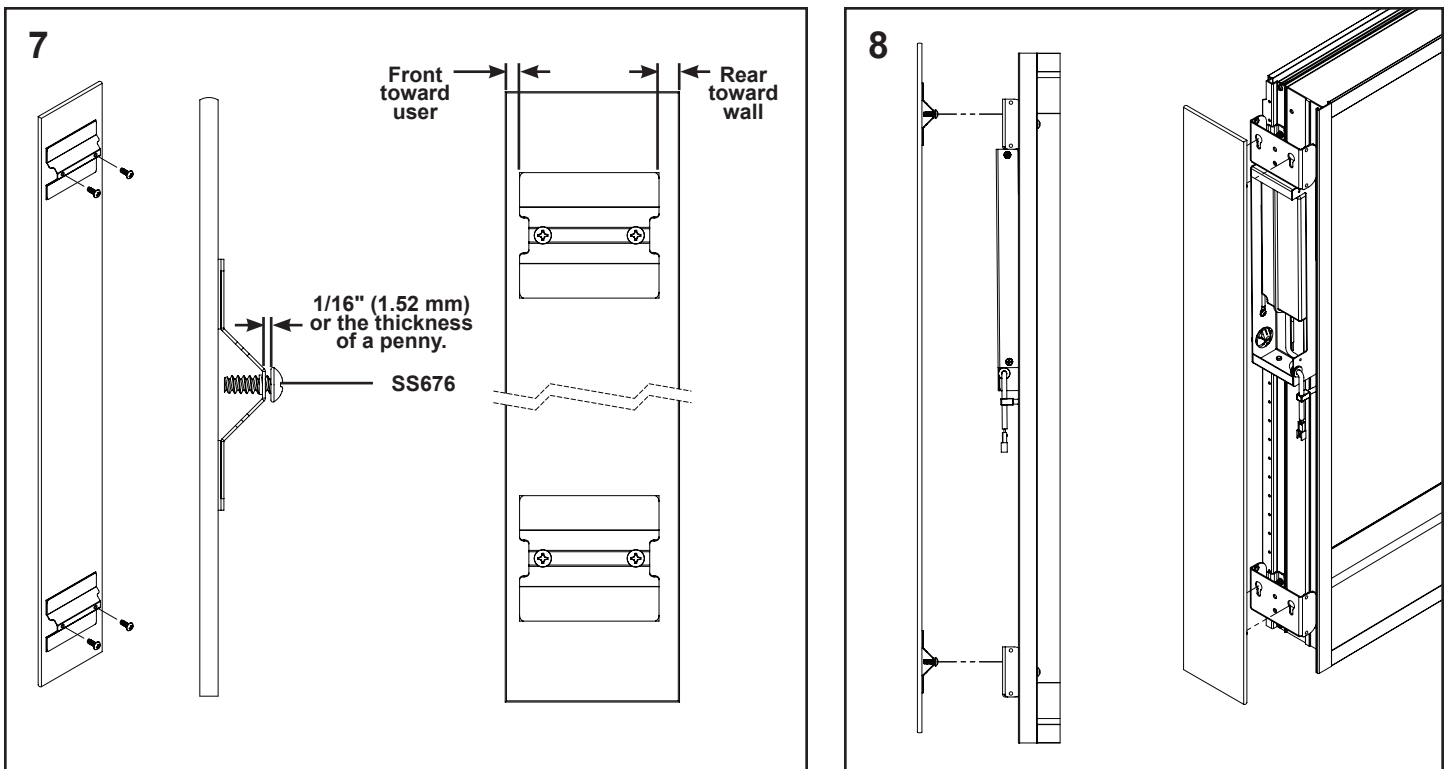
8. Orienting the sidekit as shown below, insert the Screw Heads into the keyholes on the side of the upper and lower Light Brackets.

Note: If the bracket is not oriented correctly, the side kit cannot be lowered into place and may fall resulting in damage.

9. Slide the Sidekit down into place.

Note: If the Sidekit feels loose, move the sidekit back and forth to determine which screw feels loose. Lift and remove the sidekit from the brackets and rotate the loose screw a 1/4 turn clockwise, repeating as necessary.

Note: If the Sidekit does not lower into place, remove the sidekit from the keyholes and rotate the screws a 1/4 turn counterclockwise.



robern

© 2020 Robern, Inc. 701 N. Wilson Ave. Bristol, PA 19007 U.S.A.
800.877.2376 www.robern.com

Installation or Assembly Instructions

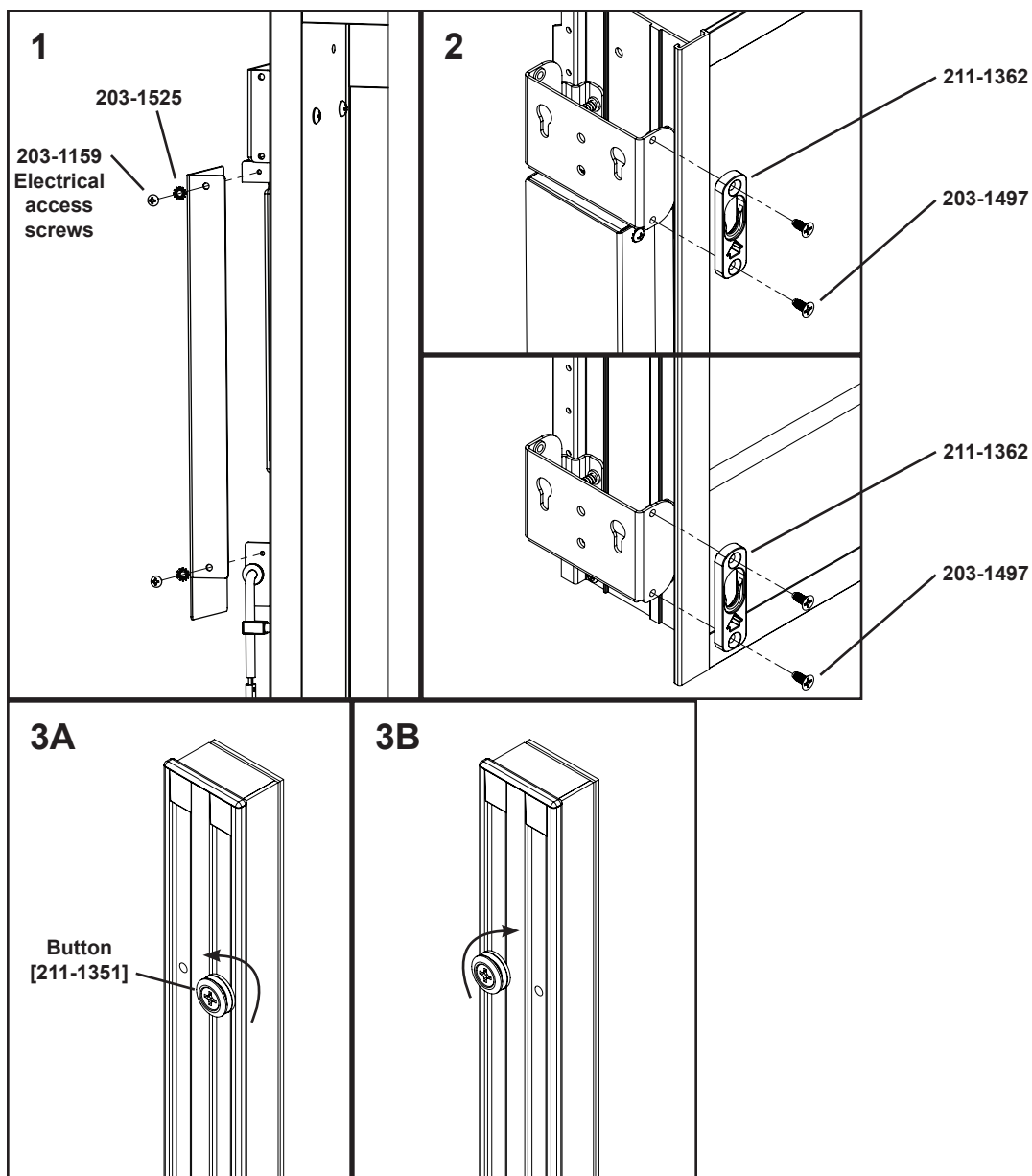
STEP 5 - FINAL ASSEMBLY

1. Using the Electrical access screws [203-1159], Lockwashers [203-1525], and Electrical Enclosure Cover set aside in step 3, close the Electrical Enclosure.

Note: Leaving too much Field Wire in the enclosure could prevent it from closing properly and may cause damage to the internal components.

2. Using the provided #8 screws [203-1497] attach a button receiver [211-1362] to each bracket. The arrow on the button receiver must be pointed up.

3. The orientation of the mirror and light can be adjusted by moving the button to the opposite hole. Remove the #6 Screw holding the button in place by turning it counterclockwise (3A). Attach the Button to the second hole but inserting and turning the #6 Screw clockwise (3B). Repeat these steps for the other button.



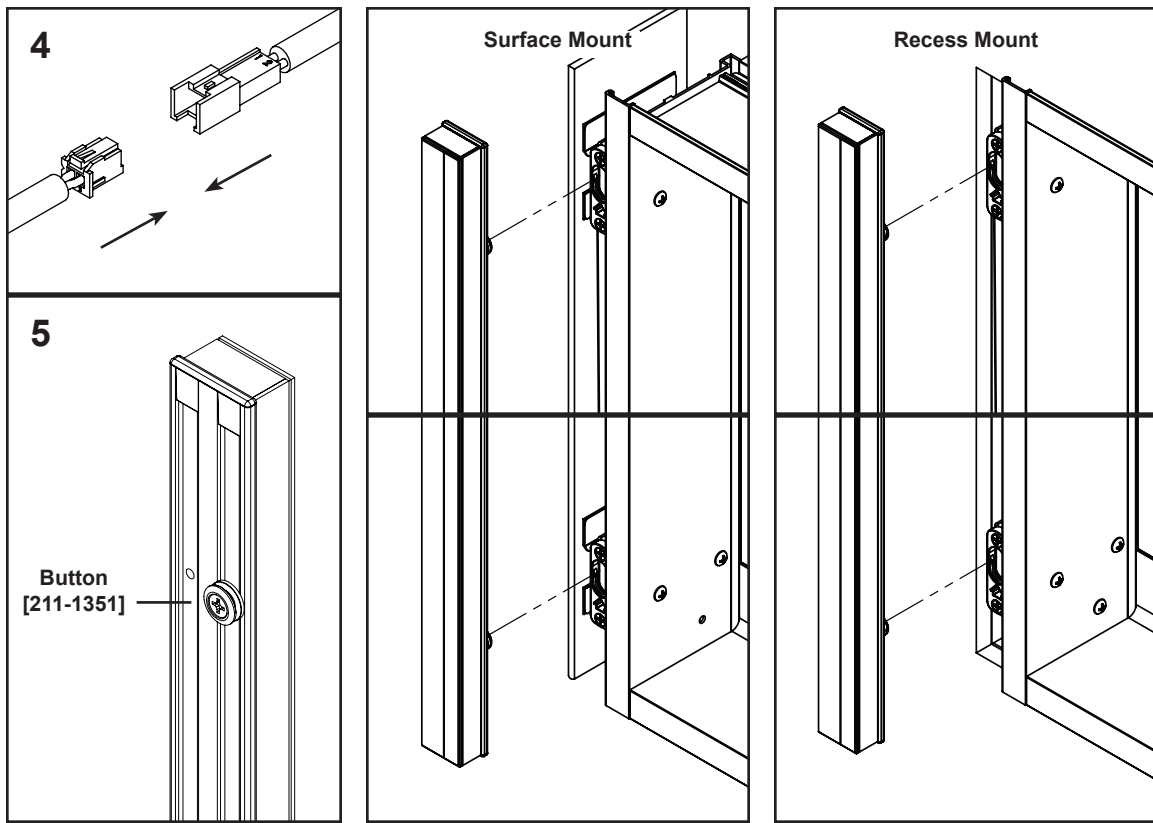
robern

© 2020 Robern, Inc. 701 N. Wilson Ave. Bristol, PA 19007 U.S.A.
800.877.2376 www.robern.com

Part no. 209-1330_rA rev. 02/28/20
Vesper Edgeline Lights

STEP 5 - FINAL ASSEMBLY

4. Connect the electrical connector from the light to the electrical low voltage wire connector coming out of the electrical enclosure.
5. Align and insert the buttons on the back of the light into the upper and lower button receivers [211-1362].
6. Slide the light down until it's completely engaged. Lights will appear to be loose because the brackets are not tight (left loose in Step 2 Mounting the Brackets to the Cabinet).



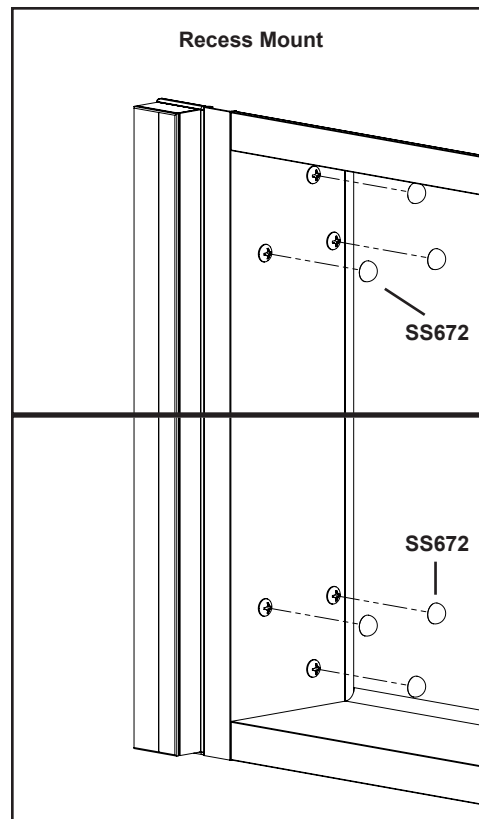
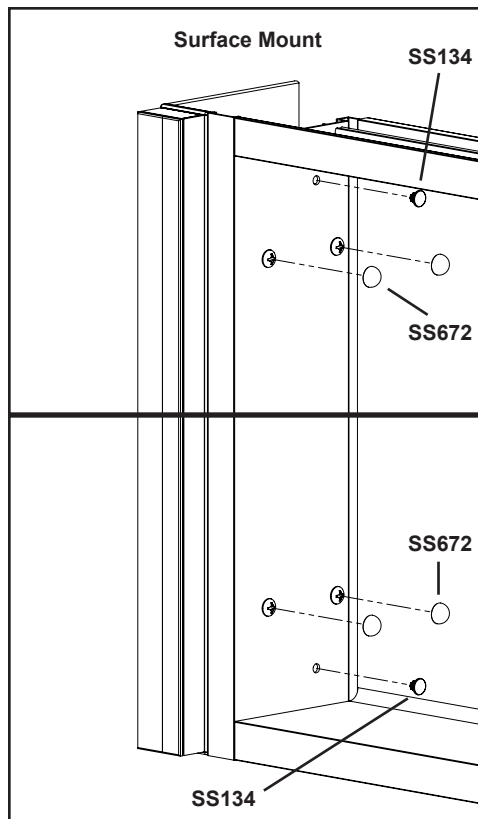
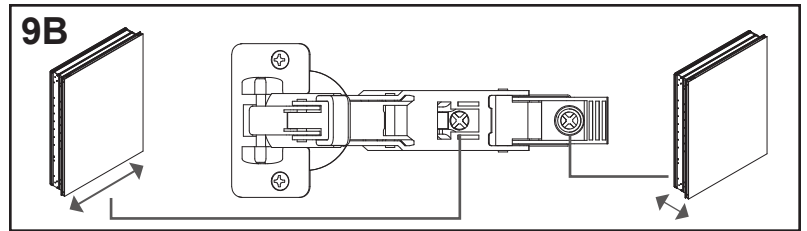
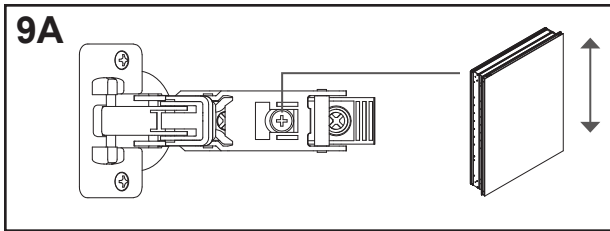
robern

© 2020 Robern, Inc. 701 N. Wilson Ave. Bristol, PA 19007 U.S.A.
800.877.2376 www.robern.com

Installation or Assembly Instructions

STEP 5 - FINAL ASSEMBLY

7. Adjust the light vertically until it's flush with the top and bottom of the cabinet box.
8. Tighten the mounting screws [SS676] inside the cabinets to complete the installation.
9. Adjust the cabinet doors until they align with the lights using the three-way adjustment features in the hinges, adjusted using a #2 Phillips Head screwdriver.
- 9A. Height: With the hinge slightly closed, you can access the middle screw. This screw will move your door front up and down.
- 9B. Side to Side/Depth: With the hinge fully extended, you can access the front and back screws. The front screw will adjust the door from side to side and the rear screw will adjust the door's depth.
10. Press a # 10 screw cap [SS672], provided with each light, onto all exposed screw heads.
11. Press a hole plug [SS134], included with your cabinet hardware, into all open mounting holes.



robern

© 2020 Robern, Inc. 701 N. Wilson Ave. Bristol, PA 19007 U.S.A.
800.877.2376 www.robern.com

Installation or Assembly Instructions

USE AND MAINTENANCE

CAUTION - RISK OF SHOCK

Risk of personal injury; disconnect power before servicing.

Use only a damp cloth to clean. Ammonia or vinegar-based cleaners can damage the finish.

A 50/50 solution of water and isopropyl alcohol is recommended for cleaning the light fixture.

When cleaning, spray the cloth, not the light fixture or surround surfaces. Do not use abrasive cleansers on any part of the light fixture.



WARRANTY

Limited Warranty One Year Term

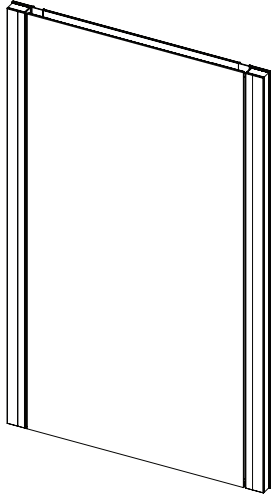
Robern warrants to the original purchaser that, it will, at its election repair, replace, or make appropriate adjustment to products made by this company shown to have significant defects in material or workmanship which are reported to Robern in writing within one (1) year from the date of delivery. Robern is not responsible for installation costs. The warranty is void in the event the product is damaged in transit, or if damage or failure is caused by abuse, misuse, abnormal usage, faulty installation, damage in an accident, improper maintenance, or any repairs other than those authorized by Robern. At the expiration of the one year warranty period, Robern shall be under no further obligation under any warranty, expressed or implied, including the implied warranty of merchantability. Robern shall not be liable for any consequential damages arising out of or in connection with the use or performance of its products. Some states do not allow limitations on how long an implied warranty lasts or do not allow the exclusion or limitation of incidental or consequential damages, so the above limitation or exclusion may not apply to you. Any liability against Robern under any implied warranty, including the warranty of merchantability, is expressly limited to the terms of this warranty. Permission to return any merchandise under this warranty must be authorized by Robern and returned prepaid by the purchaser. Claims under this warranty should be sent directly to your dealer.

©2020 Robern, Inc.
All rights reserved

robern

© 2020 Robern, Inc. 701 N. Wilson Ave. Bristol, PA 19007 U.S.A.
800.877.2376 www.robern.com

Part no. 209-1330_rA rev. 02/28/20
Vesper Edgeline Lights



**Convient aux emplacements humides /
Adecuadas para ubicaciones húmedas**

CONTENU

Assemblage des supports - **21**
Montage des supports sur l'armoire - **22**
Accéder au boîtier électrique - **23**
Installation de récréation - **24**
Installation en surface - **26**
Assemblée finale - **29**

CONTENIDO

Montaje de los soportes - **21**
Montaje de los soportes en el gabinete - **22**
Acceda a la caja eléctrica - **23**
Instalación de recreo - **24**
Instalación de montaje en superficie - **26**
Asamblea final - **29**

INFORMATION GÉNÉRALE

Cette fiche d'instructions contient des informations sur l'installation du Vesper Edgeline Light. Cette série se décline en plusieurs variantes. Veuillez vous référer à la boîte ou à l'étiquette du produit pour le numéro de modèle spécifique. Une clé est fournie à la page 18.

Conservez ces instructions pour une utilisation et une référence futures. Une installation incorrecte annule la garantie. Inspectez soigneusement la lampe pour tout dommage. Les produits installés ne peuvent pas être retournés.

Si vous rencontrez des problèmes avec votre éclairage, contactez votre revendeur ou directement Robern.

Garantie limitée - Durée d'un an

INFORMACIÓN GENERAL

Esta hoja de instrucciones contiene información sobre cómo instalar Vesper Edgeline Light. Esta serie viene en muchas variaciones. Consulte la caja o la etiqueta del producto para obtener el número de modelo específico. Se proporciona una clave en la página 18.

Guarde estas instrucciones para uso futuro y referencia. Una instalación incorrecta anula la garantía. Inspeccione cuidadosamente la luz en busca de daños. Los productos instalados no pueden ser devueltos.

Si tiene algún problema con su luz, comuníquese directamente con su distribuidor o con Robern.

Garantía limitada: un año

RECOMMANDATIONS AU GRADATEUR

Robern recommande d'utiliser le gradateur Maestro® C • L® de LUTRON®, modèle MACL-153M.
<http://www.lutron.com/TechnicalDocumentLibrary/369613a.pdf>

D'autres gradateurs de commande à LED peuvent fonctionner avec ce produit mais n'ont pas été testés ou vérifiés. Il est recommandé de laisser le variateur à la portée de votre miroir afin de pouvoir régler la luminosité.

Pour un fonctionnement tout ou rien (sans gradation), un interrupteur mural standard peut remplacer le gradateur.

RECOMENDACIONES DEL INTERRUPTOR DE ATENUACIÓN

Para los modelos regulables, Robern recomienda el Atenuador Maestro® C • L® de LUTRON®, Modelo # MACL-153M.
<http://www.lutron.com/TechnicalDocumentLibrary/369613a.pdf>

Otros atenuadores de control LED pueden funcionar con este producto pero no han sido probados o verificados. Se recomienda que el atenuador esté al alcance de su espejo para que pueda ajustar el brillo.

Para la operación de encendido / apagado (sin atenuación), se puede sustituir un interruptor de pared estándar en lugar del atenuador.

NUMÉROS DE MODÈLE

Utilisez le tableau ci-dessous pour savoir comment lire le numéro de modèle de votre lampe. Ce tableau fait référence au numéro de modèle des lampes Edgeline de 1-3 / 8 "L x 40" H avec une finition en métal argenté. Consultez le catalogue de prix Robern pour une liste complète des numéros de modèle.

NÚMEROS DE MODELO

Use la tabla a continuación para aprender a leer su número de modelo de luz. Este cuadro hace referencia al número de modelo para un Edgeline Lights de 1-3 / 8 "W x 40" H con un acabado de metal plateado. Consulte el Libro de precios de Robern para obtener una lista completa de los números de modelo.

Numéros de modèle / Números de modelo

		G	L	A	40	E	L	P	S	3	D
Gamme de produits / Línea de producto	G = Vesper										
Catégorie / Categoría	L = Lumières / Luces										
Largeur / Anchura	A = 1-3/8" / 35 mm										
la taille / Altura	30 = 30" / 762 mm 36 = 36" / 914 mm 40 = 39-3/8" / 1000 mm										
Nom de lumière / Nombre de luz	E = Edgeline										
Type de lampe / Tipo de lámpara	L = LED										
Quantité de lampes / Cantidad de lámparas	P = Pair Lamp										
Couleur principale du corps / Color del cuerpo principal	S = argent / Plata										
Température de couleur / Temperatura del color	3 = 3000K										
Type de moteur / Tipo de motor	D = Dimmable / Regulable										

robern

© 2020 Robern, Inc. 701 N. Wilson Ave. Bristol, PA 19007 U.S.A.
 800.877.2376 www.robern.com

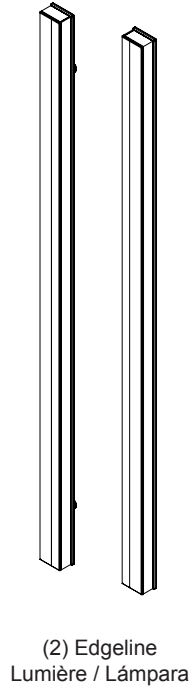
No. de pièce / Pieza n.° 209-1330_rA rev. 02/28/20
 Lampe Vesper Edgeline / Iluminación Vesper Edgeline

OUTILS NÉCESSAIRES



HERRAMIENTAS NECESARIAS

PIÈCES

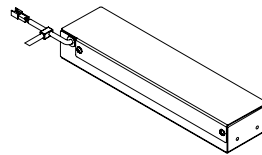


(2) Edgeline
Lumière / Lámpara

PIEZAS

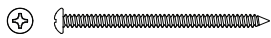


[210-1661]
(4) Supports de montage /
Soportes de montaje



[205-3214]
(1) Boîtier électrique /
Caja eléctrica

Sac de visserie / Bolsa de herrajes* [216-1195]



[SS675]
(4) Vis / Tornillo, #10 x 3"



[SS672]
(12) Chapeau à vis /
Tapapernos



[SS676]
(8) Vis / Tornillo, #10 x 1/2"



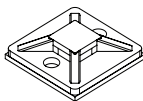
[203-1068]
(3) #8 Rondelle de
blocage / Arandela de
seguridad



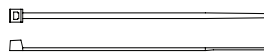
[SS344]
(2) Vis / Tornillo, #8 x 3/8"



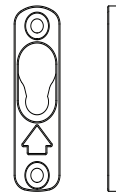
[203-1497]
(9) Vis / Tornillo, #8 x 3/8" Flat



[219-1076]
(1) Support d'attache de câble /
Sujetacables



[203-1089]
(1) Attaches de Câble /
Amarras para Cables



[211-1362]
(4) Récepteur de bouton /
Receptor de botón

* Selon l'installation, toutes les pièces ne seront pas utilisées /
Dependiendo de la instalación, no se utilizarán todas las piezas.

robern

© 2020 Robern, Inc. 701 N. Wilson Ave. Bristol, PA 19007 U.S.A.
800.877.2376 www.robern.com

No. de pièce / Pieza n.° 209-1330_rA rev. 02/28/20
Lampe Vesper Edgeline / Iluminación Vesper Edgeline

REMARQUES

Déballez la lumière. Vérifiez soigneusement la boîte pour tout le matériel et les pièces détachées. Inspectez soigneusement le luminaire pour tout dommage.

⚠ DANGER: Risque de blessures corporelles. Pour éviter un éventuel choc électrique, l'électricité doit être coupée au niveau du disjoncteur ou de la boîte à fusibles avant de tenter toute procédure d'installation.

⚠ DANGER: Risque de blessures corporelles. Pour éviter tout choc électrique, le luminaire doit être correctement mis à la terre.

⚠ ATTENTION: Instructions de mise à la terre pour les produits connectés en permanence: Ce produit doit être connecté à un système de câblage permanent métallique mis à la terre ou un conducteur de mise à la terre de l'équipement doit être exécuté avec les conducteurs du circuit et connecté à la borne de mise à la terre de l'équipement ou au fil du produit. Tout le câblage doit être effectué par un électricien agréé qualifié.

IMPORTANT: l'alimentation des lumières doit être fournie séparément de l'électricité à l'armoire afin que lorsque les lumières sont éteintes, l'électricité de l'armoire reste allumée.

REMARQUE: Nécessite un circuit d'au moins 120 VCA 15 ampères.

REMARQUE: Nécessite un gradateur compatible approuvé pour l'installation (non inclus). Reportez-vous à la recommandation du gradateur à la page 18.

Respectez tous les codes électriques et codes du bâtiment applicables. Câblez les luminaires conformément aux codes électriques.

Ce luminaire est destiné à une utilisation en intérieur uniquement.

Cette installation peut nécessiter l'assistance de plusieurs personnes en fonction de la configuration de votre éclairage / armoire.

**DANGER -
RISQUE DE CHOC -
DÉBRANCHEZ
L'ALIMENTATION AVANT
L'INSTALLATION**

NOTAS

Desempaca la luz. Revise la caja a fondo para ver todos los accesorios y piezas sueltas. Inspeccione cuidadosamente el accesorio por daños.

⚠ PELIGRO: Riesgo de lesiones personales. Para evitar posibles descargas eléctricas, la electricidad debe apagarse en el disyuntor o en la caja de fusibles antes de intentar cualquier procedimiento de instalación.

⚠ PELIGRO: Riesgo de lesiones personales. Para evitar posibles descargas eléctricas, el artefacto de iluminación debe estar debidamente conectado a tierra.

⚠ PRECAUCIÓN: Instrucciones de conexión a tierra para productos conectados permanentemente: este producto debe conectarse a un sistema de cableado metálico permanente conectado a tierra o un conductor de conexión a tierra del equipo debe funcionar con los conductores del circuito y conectado al terminal de conexión a tierra del equipo o al cable del producto. Todo el cableado debe ser realizado por un electricista calificado y con licencia.

IMPORTANTE: la alimentación de las luces debe proporcionarse por separado de la electricidad al gabinete, de modo que cuando las luces se apagan, la electricidad del gabinete permanece encendida.

NOTA: Requiere un circuito mínimo de 120 VCA y 15 amperios.

NOTA: Requiere un atenuador compatible aprobado para la instalación (no incluido). Consulte la recomendación de dimmer en la página 18.

Observe todos los códigos eléctricos y de construcción aplicables. Cablee las lámparas de acuerdo con los códigos eléctricos.

Este accesorio es solo para uso en interiores.

Esta instalación puede requerir la asistencia de más de una persona dependiendo de la configuración de su Light / Cabinet.

**PELIGRO -
RIESGO DE CHOQUE -
DESCONECTE LA
ALIMENTACIÓN ANTES DE
LA INSTALACIÓN**

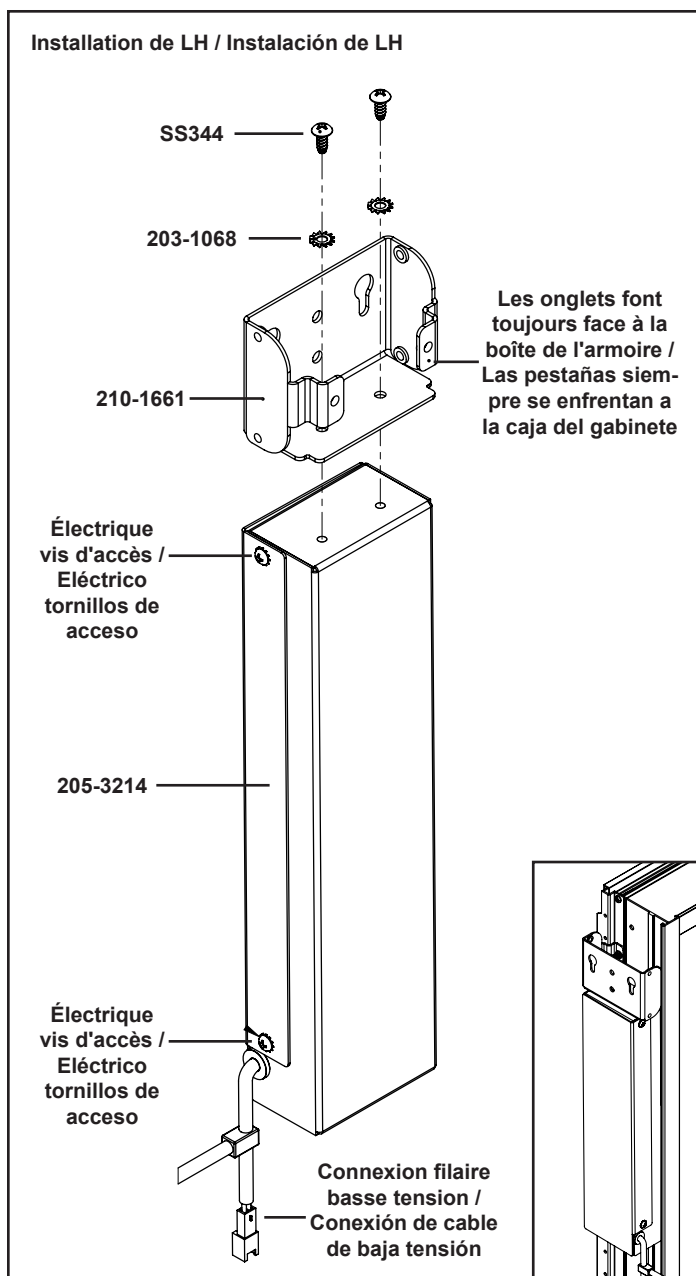
ÉTAPE 1 - ASSEMBLAGE DES SUPPORTS

Remarque: Une installation RH (main droite) nécessite que le boîtier électrique soit retourné, plaçant le fil basse tension sortant plus près du support supérieur.

Remarque: Pour les installations à 1,375 paire impliquant plusieurs armoires, une installation RH est requise.

1. Orientez l'un des supports de montage [210-1661] (comme illustré) en vous assurant que les vis d'accès électrique sur le boîtier électrique [205-3214] sont dirigées vers l'avant de l'armoire.

2. Fixez le boîtier électrique inclus (205-3214) au support à l'aide des vis n° 8 [SS344] et des rondelles frein [203-1068] fournies.



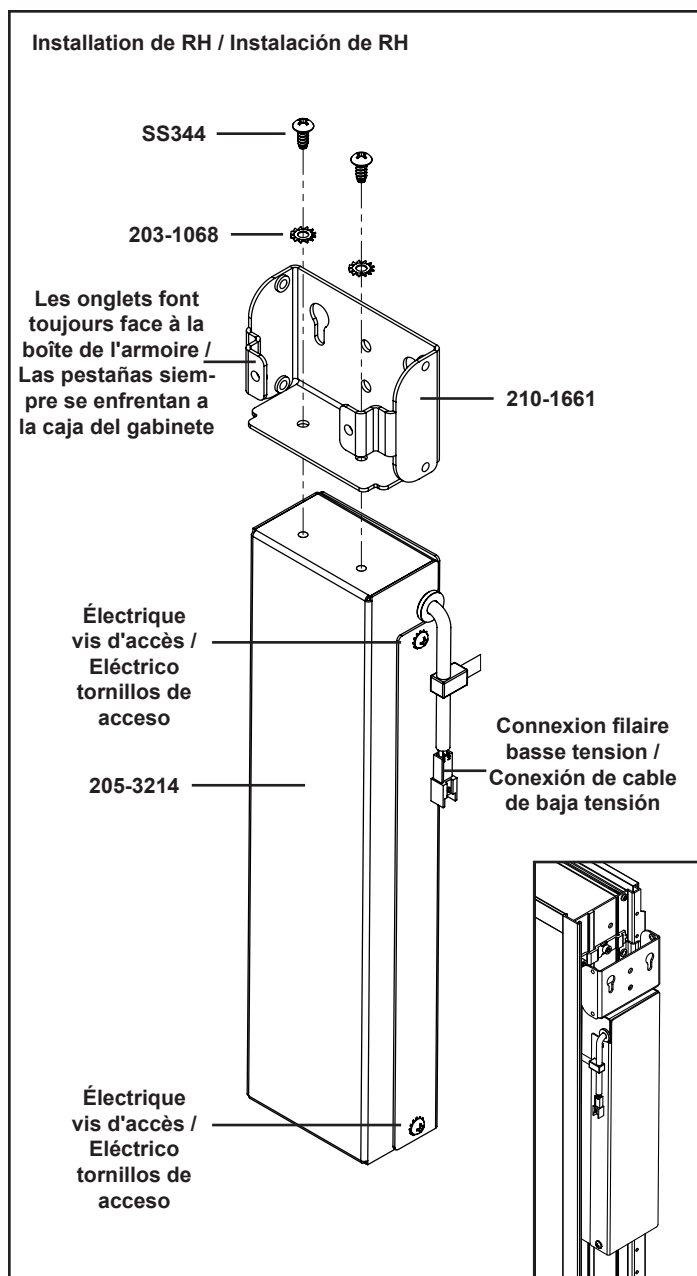
PASO 1 - MONTAJE DE LOS SOPORTES

Nota: Una instalación RH (mano derecha) requerirá que la caja eléctrica se voltee, colocando el cable de bajo voltaje que sale más cerca del soporte superior.

Nota: Para instalaciones de 1.375 pares que involucran más de un gabinete, se requiere una instalación RH.

1. Oriente uno de los soportes de montaje [210-1661] (como se muestra) asegurándose de que los tornillos de acceso eléctrico en el gabinete eléctrico [205-3214] apunten hacia la parte frontal del gabinete.

2. Fije el gabinete eléctrico incluido (205-3214) al soporte utilizando los tornillos # 8 suministrados [SS344] y las arandelas de seguridad [203-1068].



robern

© 2020 Robern, Inc. 701 N. Wilson Ave. Bristol, PA 19007 U.S.A.
800.877.2376 www.robern.com

Instructions d'installation / Instrucciones de instalación

No. de pièce / Pieza n.° 209-1330_rA rev. 02/28/20
Lampe Vesper Edgeline / Iluminación Vesper Edgeline

ÉTAPE 2 - MONTAGE DES SUPPORTS SUR L'ARMOIRE

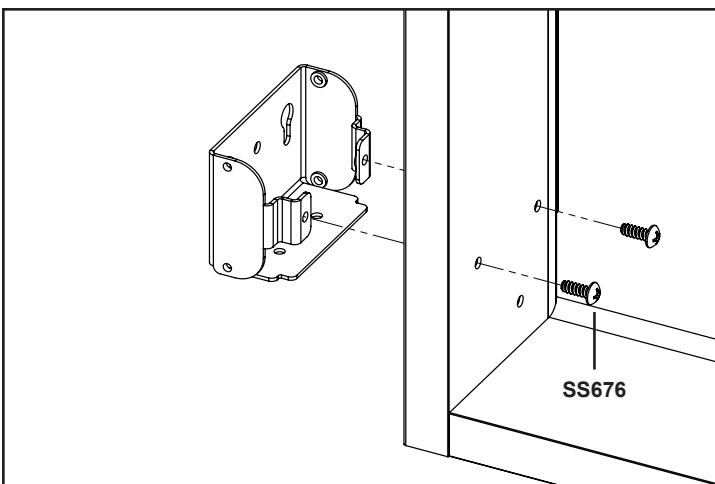
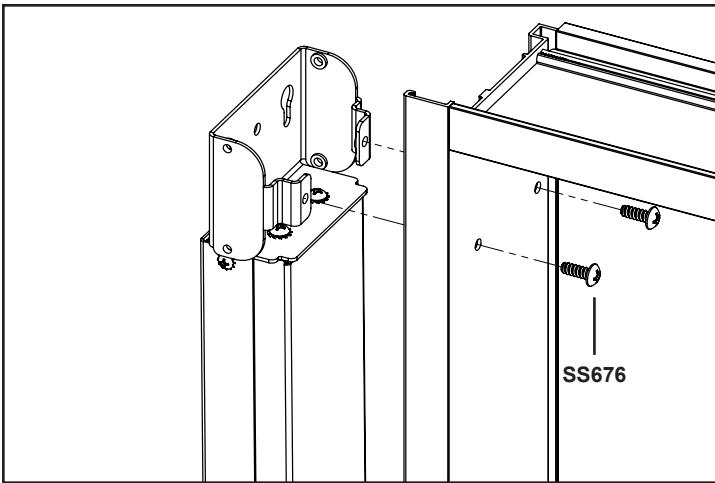
Remarque: ne serrez pas complètement les vis. Cela permettra des ajustements dans les étapes ultérieures.

1. Montez les supports sur l'armoire à travers les emplacements de regroupement, comme illustré, à l'aide des vis # 10 fournies [SS676].

PASO 2 - MONTAJE DE LOS SOPORTES AL GABINETE

Nota: No apriete completamente los tornillos. Esto permitirá realizar ajustes en pasos posteriores.

1. Monte los soportes en el gabinete a través de las ubicaciones de agrupamiento, como se muestra, utilizando los tornillos # 10 suministrados [SS676].



robern

© 2020 Robern, Inc. 701 N. Wilson Ave. Bristol, PA 19007 U.S.A.
800.877.2376 www.robern.com

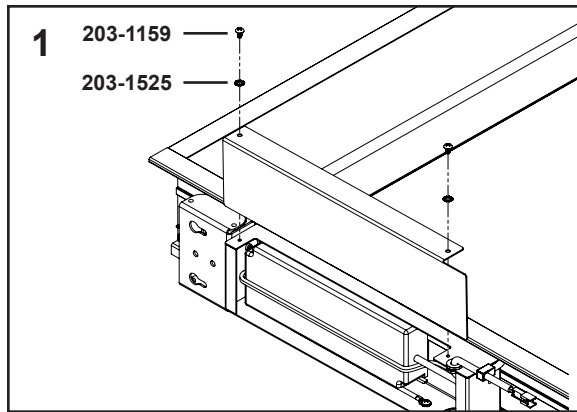
Instructions d'installation / Instrucciones de instalación

No. de pièce / Pieza n.° 209-1330_rA rev. 02/28/20
Lampe Vesper Edgeline / Iluminación Vesper Edgeline

ÉTAPE 3 - ACCÉDER AU COFFRET ÉLECTRIQUE

Posez l'armoire sur une surface plane et de niveau.

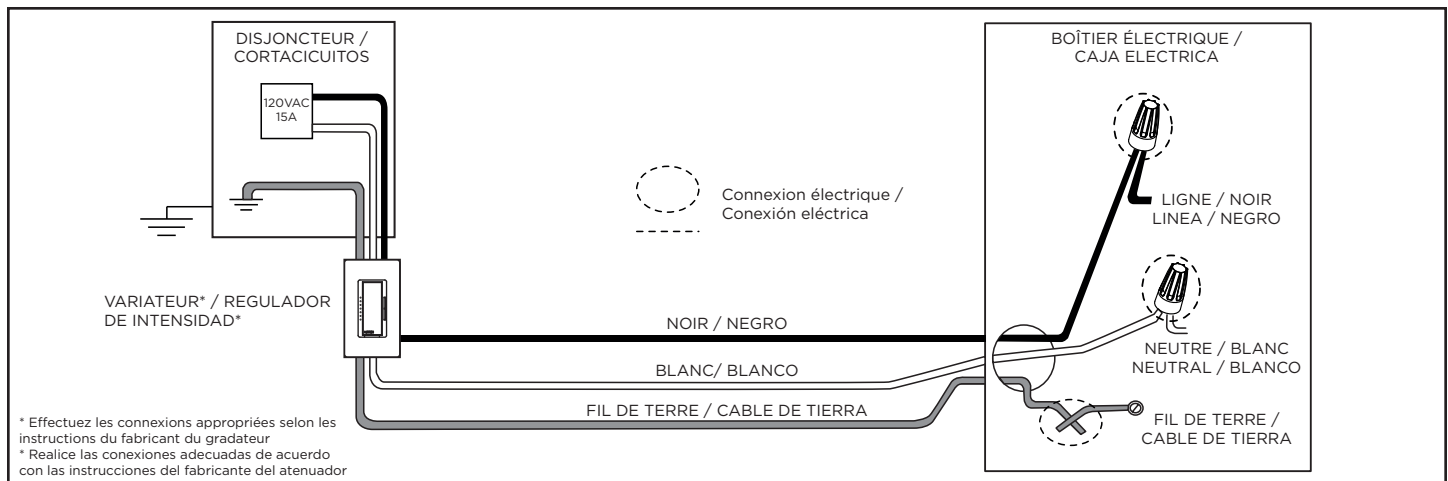
1. Retirez les deux vis d'accès électrique n° 6 [SS217] et les rondelles de blocage [SS692] pour accéder aux connexions du câblage électrique
2. Mettez de côté tout le matériel et le (s) capot (s) électrique (s) dans un endroit sûr.



PASO 3 - ACCEDA A LA CAJA ELÉCTRICA

Coloque el gabinete sobre una superficie plana y nivelada.

1. Retire los dos tornillos de acceso eléctrico # 6 [SS217] y las arandelas de seguridad [SS692] para acceder a las conexiones del cableado eléctrico
2. Coloque todo el hardware y las cubiertas eléctricas a un lado en un lugar seguro.



ÉTAPE 4A - INSTALLATION EN FACE

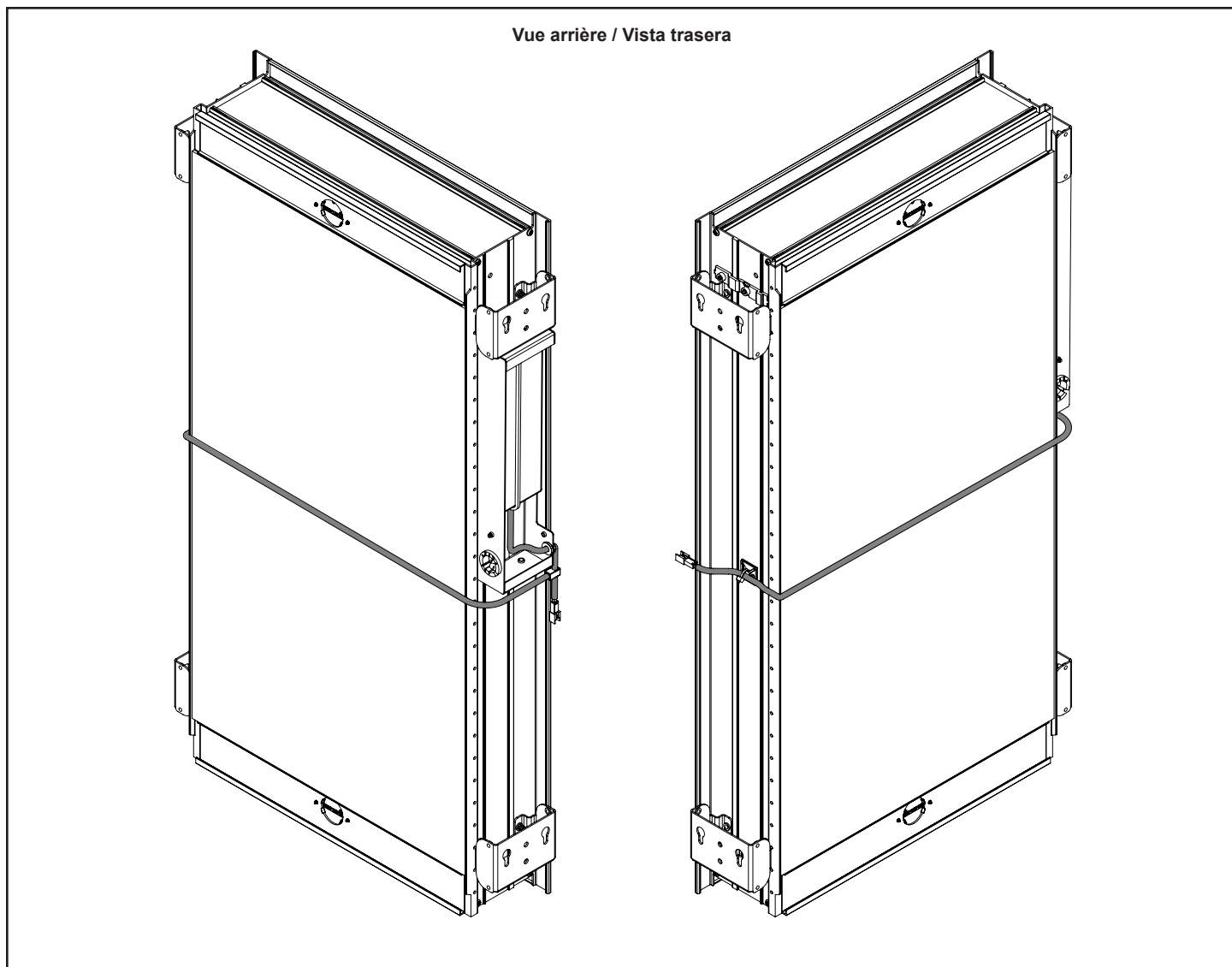
Lors de la connexion du boîtier électrique à l'éclairage à distance, il est recommandé de faire passer le câblage de sorte qu'il ne soit pas pincé pendant le montage encastré.

1. Centré sur le côté de l'armoire opposé au boîtier électrique, fixez le support de commande de fil [219-1076] au côté de l'armoire en le décollant et en le collant en place.
2. Acheminez le fil autour de l'arrière de l'armoire jusqu'à ce qu'il atteigne le support de commande de fil.
3. Il y aura un excès de longueur (le fil pourra accueillir deux armoires de 24 "groupées). Enroulez l'excédent de fil et fixez-le en place avec l'attache zippée fournie [203-1089].

PASO 4A - INSTALACIÓN DE RECESO

Al conectar la caja eléctrica a la luz remota, se recomienda enrutar el cableado para que no se pellizque durante el montaje empotrado.

1. Centrado en el lado del gabinete opuesto al gabinete eléctrico, fije el soporte de control de cable [219-1076] al lado del gabinete despegándolo y pegándolo en su lugar.
2. Pase el cable alrededor de la parte posterior del gabinete hasta que llegue al soporte de control de cable.
3. Habrá un exceso de longitud (el cable acomodará dos gabinetes de 24 "agrupados). Enrolle el cable sobrante y asegúrelo en su lugar con la brida suministrada [203-1089].



robern

© 2020 Robern, Inc. 701 N. Wilson Ave. Bristol, PA 19007 U.S.A.
800.877.2376 www.robern.com

Instructions d'installation / Instrucciones de instalación

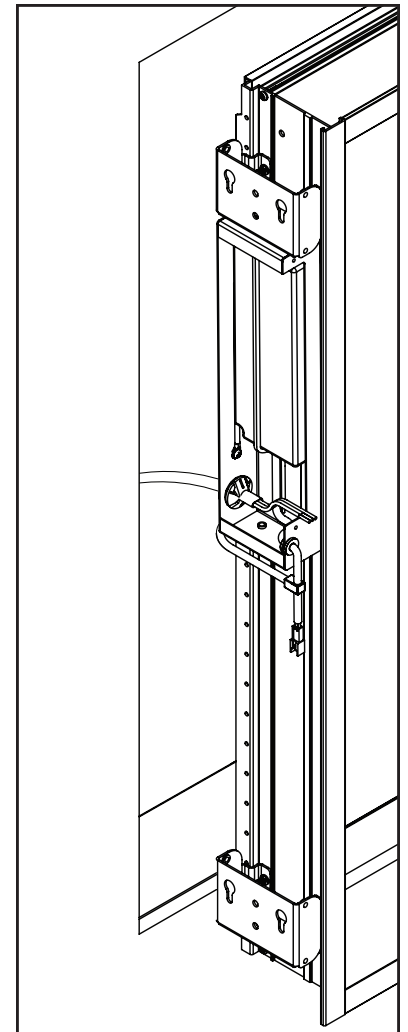
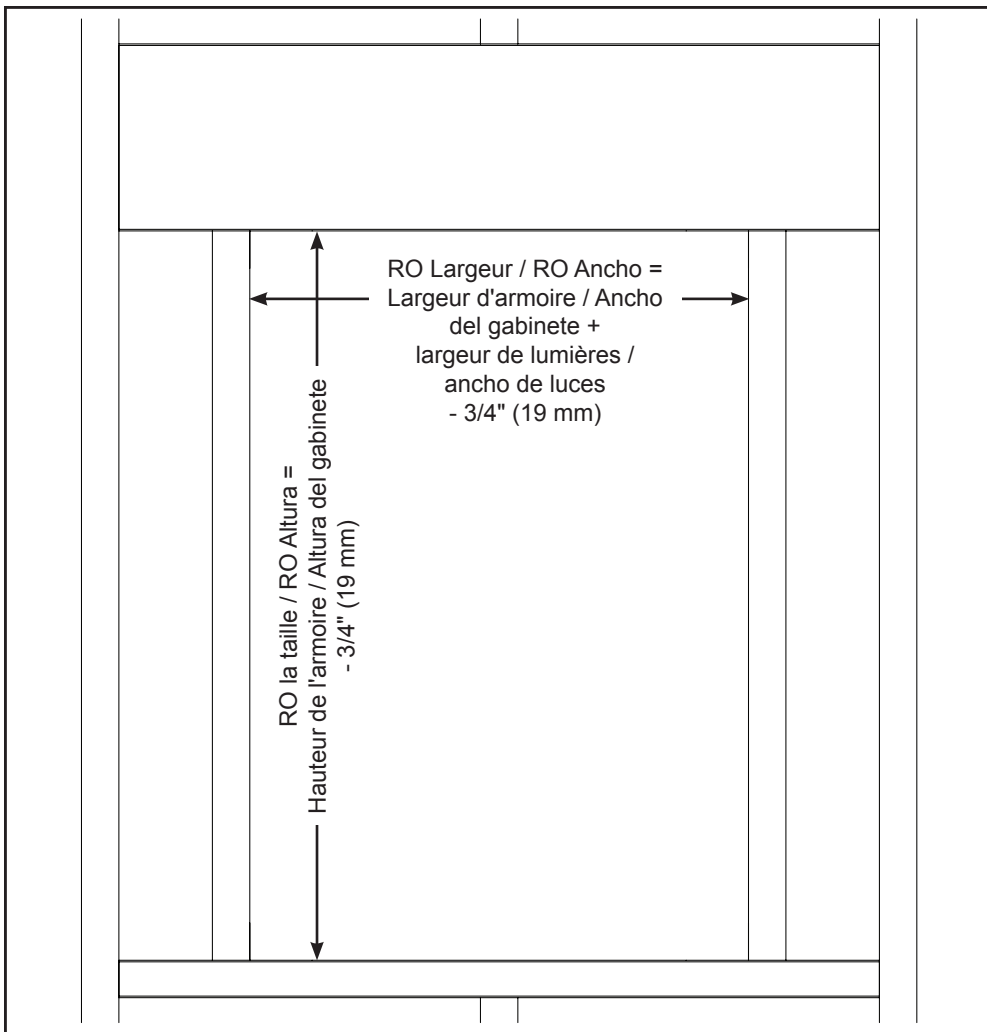
No. de pièce / Pieza n.° 209-1330_rA rev. 02/28/20
Lampe Vesper Edgeline / Iluminación Vesper Edgeline

ÉTAPE 4A - INSTALLATION EN FACE

4. Une fois le (s) capot (s) électrique (s) retiré (s), soutenez le boîtier sur le bord de l'ouverture encastrée et faites passer le (s) fil (s) de terrain à travers la décharge de traction du fil de terrain à l'arrière de chaque boîtier.
 5. Poussez l'ensemble de l'armoire dans l'ouverture encastrée jusqu'à ce que l'arrière de la bride de l'armoire soit serré contre la surface du mur fini.
 6. Utilisez un niveau, nivelez et raccordez les produits dans l'ouverture. Calez au besoin. À l'aide d'un carré, assurez-vous que l'armoire est carré dans tous les axes.
 7. Effectuez les connexions électriques conformément au schéma électrique de la page 23.
- Remarque:** reportez-vous aux instructions de votre armoire pour vous assurer qu'aucune étape supplémentaire n'est requise avant de continuer.
8. Montez l'armoire en place à l'aide des vis n° 10 [SS674] fournies avec l'armoire.

PASO 4A - INSTALACIÓN DE RECESO

4. Con la (s) cubierta (s) eléctrica (s) retirada (s), sostenga el gabinete en el borde de la abertura empotrada y alimente los cables de campo a través del alivio de tensión del cable de campo en la parte posterior de cada caja.
 5. Empuje el ensamblaje del gabinete dentro de la abertura empotrada hasta que la parte posterior de la brida del gabinete esté apretada a la superficie de la pared terminada.
 6. Utilizando un nivel, nivele y aplome los productos en la abertura. Calce según sea necesario. Usando un cuadrado, asegúrese de que el gabinete esté cuadrado en todos los ejes.
 7. Realice las conexiones eléctricas según el diagrama eléctrico de la página 23.
- Nota:** Consulte las instrucciones de su gabinete para asegurarse de que no se requieren pasos adicionales antes de continuar.
8. Monte el gabinete en su lugar usando los Tornillos # 10 [SS674] provistos con el gabinete.



robern

© 2020 Robern, Inc. 701 N. Wilson Ave. Bristol, PA 19007 U.S.A.
800.877.2376 www.robern.com

Instructions d'installation / Instrucciones de instalación

No. de pièce / Pieza n.° 209-1330_rA rev. 02/28/20
Lampe Vesper Edgeline / Iluminación Vesper Edgeline

ÉTAPE 4B - INSTALLATION EN SURFACE

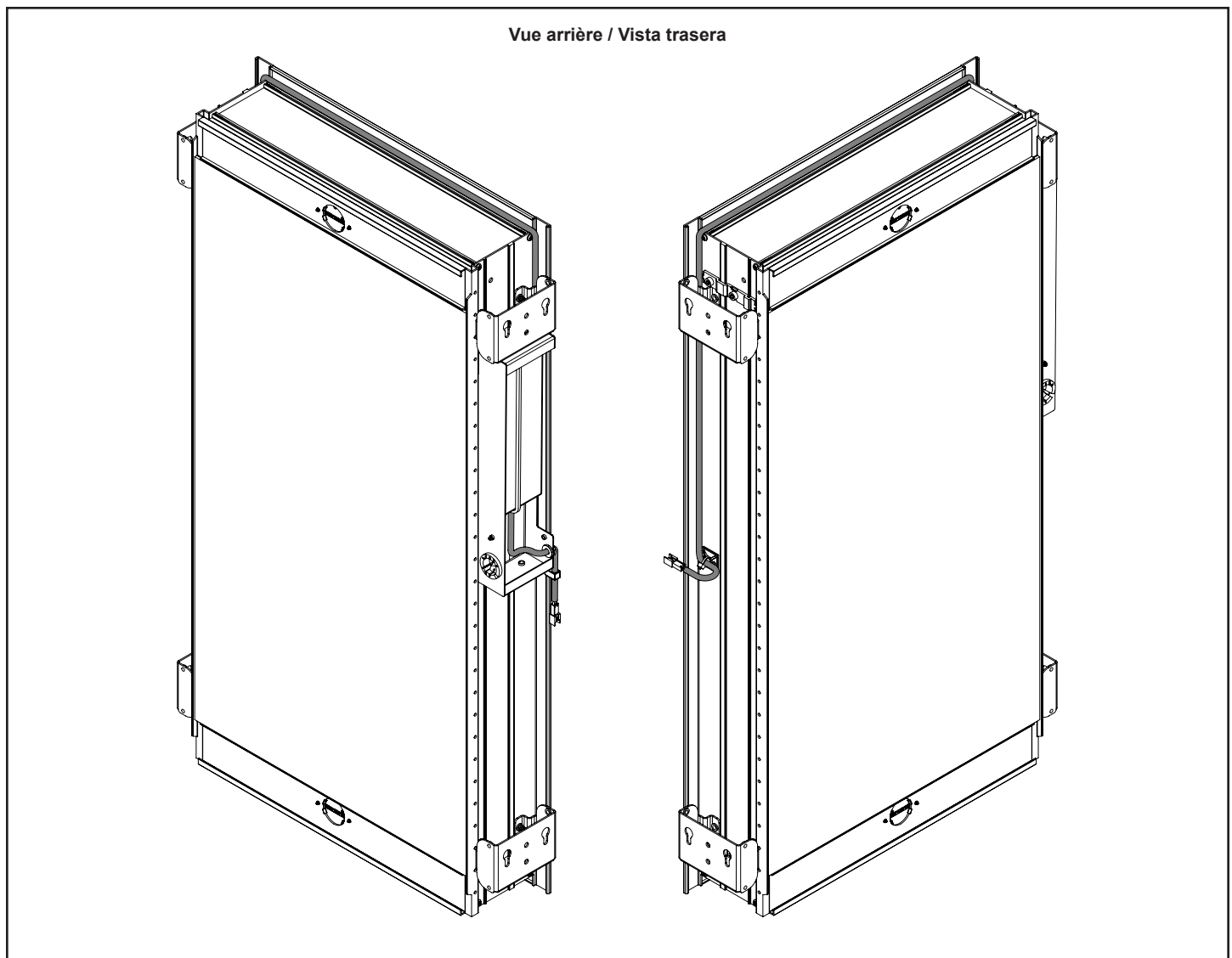
Lors de la connexion du boîtier électrique à l'éclairage à distance, il est recommandé de faire passer le câblage de sorte qu'il ne soit pas pincé lors du montage en surface.

1. Centré sur le côté de l'armoire opposé au boîtier électrique, fixez le support de commande de fil [219-1076] au côté de l'armoire en le décollant et en le collant en place.
2. Acheminez le câble vers le haut, entre la bride avant du boîtier de l'armoire et les supports, et par-dessus le dessus de l'armoire jusqu'à ce qu'il atteigne le support de commande des câbles de l'autre côté du boîtier de l'armoire.
3. Il y aura un excès de longueur (le fil pourra accueillir deux armoires de 24 "groupées). Enroulez l'excédent de fil et fixez-le en place avec l'attache zippée fournie [203-1089].

PASO 4B - MONTAJE EN SUPERFICIE INSTALACIÓN

Al conectar la caja eléctrica a la luz remota, se recomienda enrutar el cableado para que no se pellizque durante el montaje en superficie.

1. Centrado en el lado del gabinete opuesto al gabinete eléctrico, fije el soporte de control de cable [219-1076] al lado del gabinete despegándolo y pegándolo en su lugar.
2. Pase el cable hacia arriba, entre la brida frontal de la caja del gabinete y los soportes, y sobre la parte superior del gabinete hasta que llegue al soporte de control de cables en el otro lado de la caja del gabinete.
3. Habrá un exceso de longitud (el cable acomodará dos gabinetes de 24 "agrupados). Enrolle el cable sobrante y asegúrelo en su lugar con la brida suministrada [203-1089].



robern

© 2020 Robern, Inc. 701 N. Wilson Ave. Bristol, PA 19007 U.S.A.
800.877.2376 www.robern.com

Instructions d'installation / Instrucciones de instalación

No. de pièce / Pieza n.° 209-1330_rA rev. 02/28/20
Lampe Vesper Edgeline / Iluminación Vesper Edgeline

ÉTAPE 4B - INSTALLATION EN SURFACE

4. Le couvercle électrique étant retiré, faites passer le fil de champ à travers la décharge de traction du fil de champ à l'arrière du boîtier électrique.

Remarque: reportez-vous aux instructions de votre armoire pour vous assurer qu'aucune étape de montage supplémentaire n'est requise avant de continuer.

5. Montez l'armoire en place en suivant les étapes fournies dans les instructions de l'armoire.

6. Effectuez le raccordement électrique conformément au schéma électrique de la page 23.

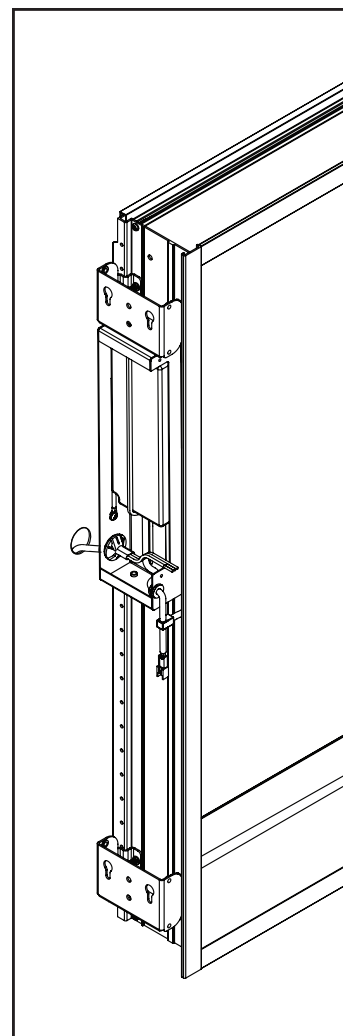
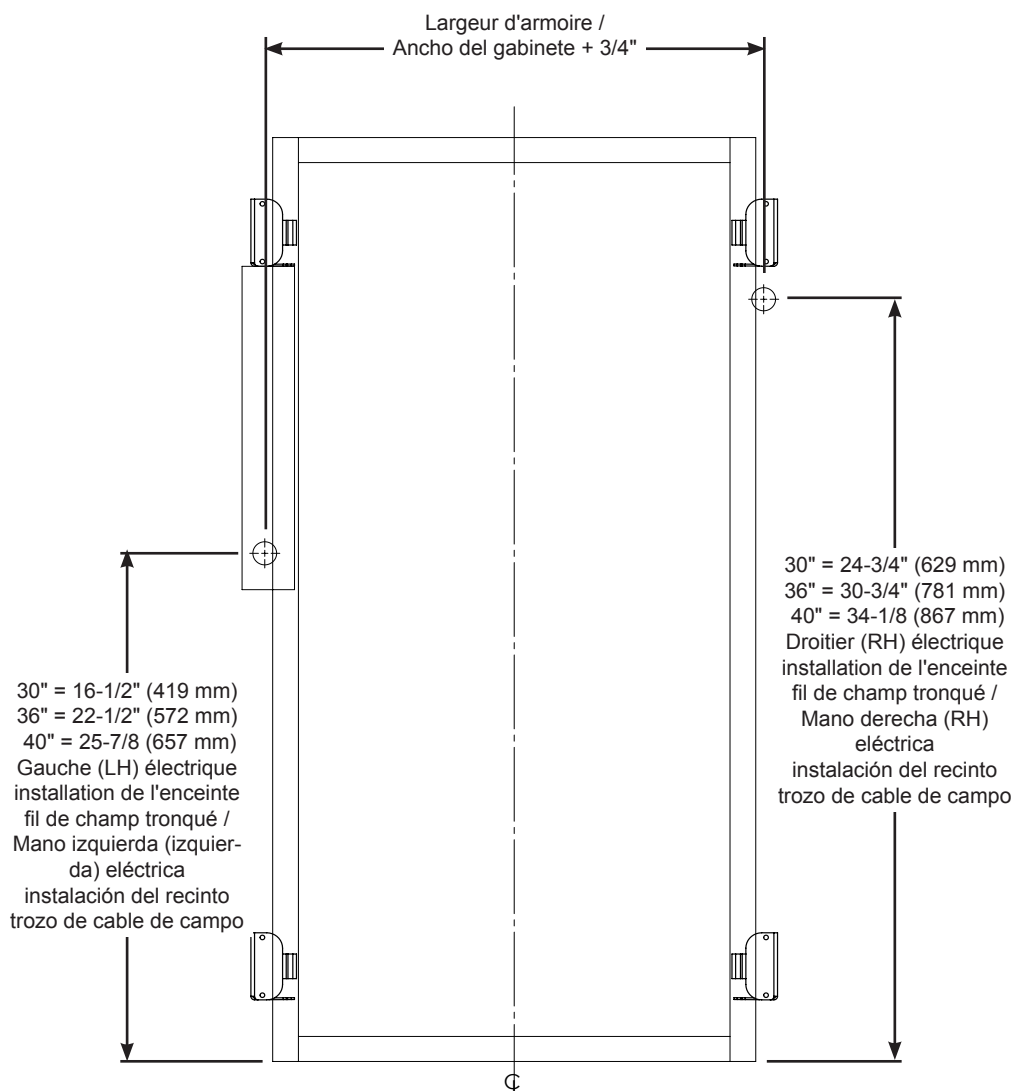
PASO 4B - MONTAJE EN SUPERFICIE INSTALACIÓN

4. Con la cubierta eléctrica retirada, alimente el cable de campo a través del alivio de tensión del cable de campo en la parte posterior del gabinete eléctrico.

Nota: Consulte las instrucciones de su gabinete para asegurarse de que no se requieren pasos de ensamblaje adicionales antes de continuar.

5. Monte el gabinete en su lugar siguiendo los pasos provistos en las instrucciones del gabinete.

6. Realice la conexión eléctrica de acuerdo con el diagrama eléctrico de la página 23.



ÉTAPE 4B - INSTALLATION EN SURFACE

7. Insérez les vis n° 10 [SS676] fournies avec le kit de montage en surface (vendu séparément) dans les trous des supports de kit latéraux. Utilisez un sou (comme détaillé dans la figure 4 ci-dessous) pour définir la distance de profondeur.

8. En orientant le kit latéral comme indiqué ci-dessous, insérez les têtes de vis dans les trous de serrure sur le côté des supports de lumière supérieur et inférieur.

Remarque: Si le support n'est pas orienté correctement, le kit latéral ne peut pas être abaissé en place et peut tomber et entraîner des dommages.

9. Faites glisser le Sidekit vers le bas en place.

Remarque: Si le Sidekit semble lâche, déplacez-le d'avant en arrière pour déterminer quelle vis semble lâche. Soulevez et retirez le kit latéral des supports et tournez la vis desserrée d'un quart de tour dans le sens horaire, en répétant si nécessaire.

Remarque: Si le Sidekit ne s'abaisse pas en place, retirez-le des trous de serrure et tournez les vis d'un quart de tour dans le sens antihoraire.

PASO 4B - MONTAJE EN SUPERFICIE INSTALACIÓN

7. Introduzca los tornillos #10 [SS676] provistos con el kit de montaje en superficie (se vende por separado) en los orificios de los soportes laterales del kit. Use un centavo (como se detalla en la figura 4 a continuación) para establecer la distancia de profundidad.

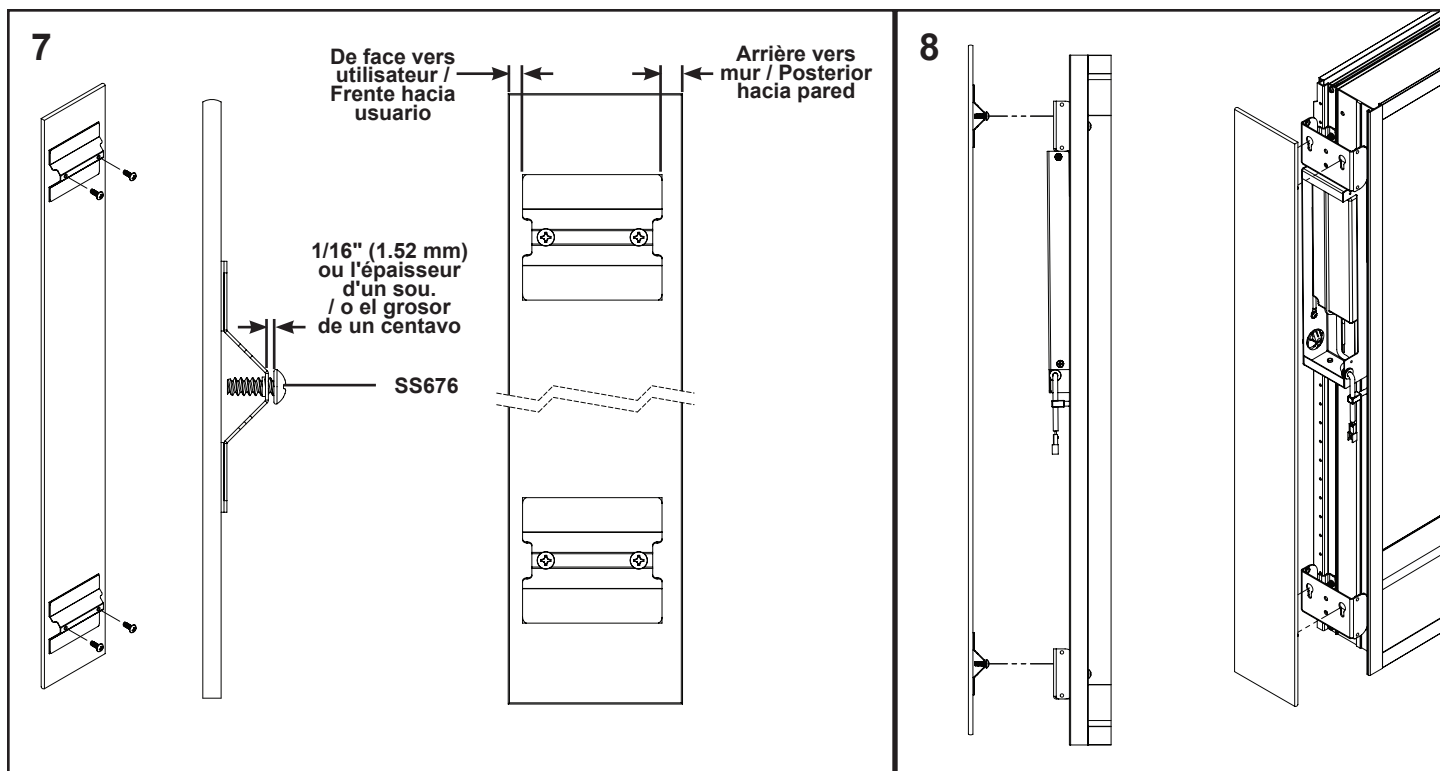
8. Orientando el kit lateral como se muestra a continuación, inserte las cabezas de los tornillos en los orificios en el costado de los soportes de luz superior e inferior.

Nota: Si el soporte no está orientado correctamente, el kit lateral no se puede bajar en su lugar y puede caerse y provocar daños.

9. Deslice el Sidekit hacia abajo en su lugar.

Nota: Si el Sidekit se siente flojo, muévelo de un lado a otro para determinar qué tornillo se siente flojo. Levante y retire el kit lateral de los soportes y gire el tornillo suelto 1/4 de vuelta en sentido horario, repitiendo según sea necesario.

Nota: Si el Sidekit no baja en su lugar, retire el sidekit de los orificios y gire los tornillos 1/4 de vuelta en sentido antihorario.



robern

© 2020 Robern, Inc. 701 N. Wilson Ave. Bristol, PA 19007 U.S.A.
800.877.2376 www.robern.com

Instructions d'installation / Instrucciones de instalación

ÉTAPE 5 - L'ASSEMBLAGE FINAL

1. À l'aide des vis d'accès électrique [SS217], des rondelles de blocage [SS692] et du couvercle du boîtier électrique mis de côté à l'étape 3, fermez le boîtier électrique.

Remarque: Laisser trop de fil de terrain dans le boîtier peut l'empêcher de se fermer correctement et endommager les composants internes.

2. À l'aide des vis n° 8 [203-1497] fournies, fixez un récepteur bouton [211-1362] à chaque support. La flèche du récepteur bouton doit être dirigée vers le haut.

3. L'orientation du miroir et de la lumière peut être ajustée en déplaçant le bouton vers le trou opposé. Retirez la vis n° 6 maintenant le bouton en place en le tournant dans le sens inverse des aiguilles d'une montre (3A). Fixez le bouton au deuxième trou, mais en insérant et en tournant la vis n° 6 dans le sens horaire (3B). Répétez ces étapes pour l'autre bouton.

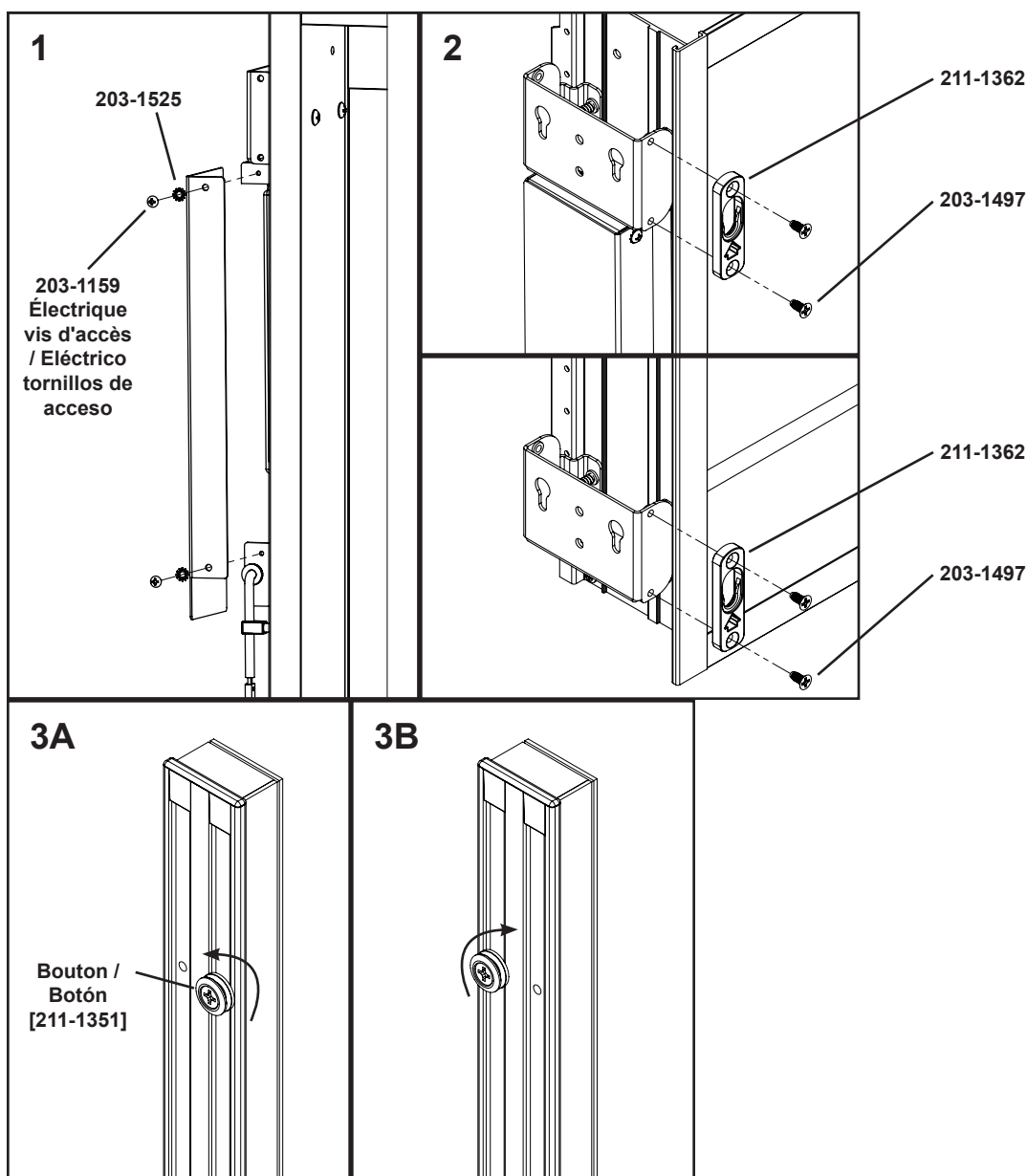
PASO 5 - ASAMBLEA FINAL

1. Usando los tornillos de acceso eléctrico [SS217], las arandelas de seguridad [SS692] y la cubierta de la caja eléctrica puesta a un lado en el paso 3, cierre la caja eléctrica.

Nota: Dejar demasiado cable de campo en el gabinete podría evitar que se cierre correctamente y puede dañar los componentes internos.

2. Usando los tornillos #8 provistos [203-1497] fije un receptor de botón [211-1362] a cada soporte. La flecha en el receptor del botón debe apuntar hacia arriba.

3. La orientación del espejo y la luz se puede ajustar moviendo el botón al orificio opuesto. Retire el tornillo #6 que sujeta el botón en su lugar girándolo en sentido antihorario (3A). Fije el botón al segundo orificio, pero inserte y gire el tornillo #6 en el sentido de las agujas del reloj (3B). Repita estos pasos para el otro botón.



robern

© 2020 Robern, Inc. 701 N. Wilson Ave. Bristol, PA 19007 U.S.A.
800.877.2376 www.robern.com

Instructions d'installation / Instrucciones de instalación

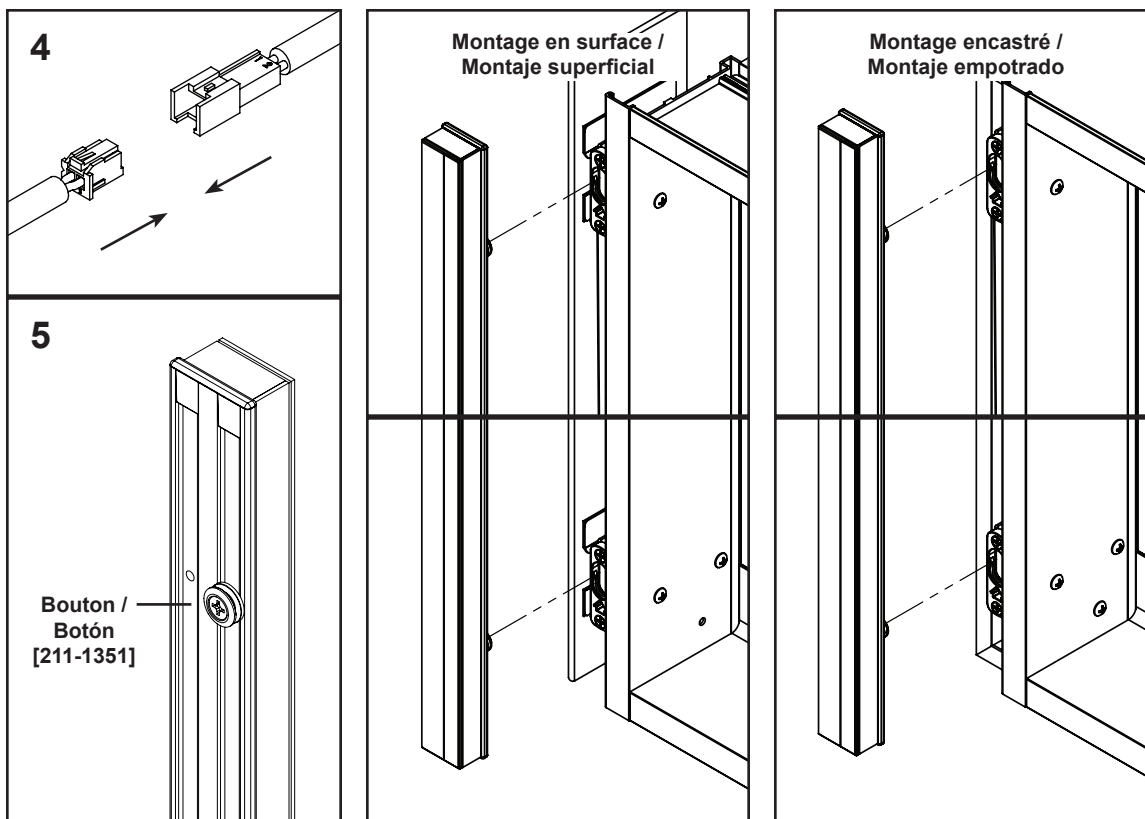
No. de pièce / Pieza n.° 209-1330_rA rev. 02/28/20
Lampe Vesper Edgeline / Iluminación Vesper Edgeline

ÉTAPE 5 - L'ASSEMBLAGE FINAL

4. Connectez le connecteur électrique de la lumière au connecteur du fil électrique basse tension sortant du boîtier électrique.
5. Alignez et insérez les boutons à l'arrière de la lumière dans les récepteurs de bouton supérieur et inférieur [211-1362].
6. Faites glisser la lumière vers le bas jusqu'à ce qu'elle soit complètement engagée. Les lumières sembleront lâches parce que les supports ne sont pas serrés (laissés lâches dans Étape 2 Montage des supports sur l'armoire).

PASO 5 - ASAMBLEA FINAL

4. Conecte el conector eléctrico de la luz al conector del cable eléctrico de bajo voltaje que sale de la caja eléctrica.
5. Alinee e inserte los botones en la parte posterior de la luz en los receptores de botones superior e inferior [211-1362].
6. Deslice la luz hacia abajo hasta que esté completamente enganchada. Las luces parecerán estar flojas porque los soportes no están apretados (se dejan flojos en Paso 2 Montaje de los soportes en el gabinete).



robern

© 2020 Robern, Inc. 701 N. Wilson Ave. Bristol, PA 19007 U.S.A.
800.877.2376 www.robern.com

Instructions d'installation / Instrucciones de instalación

No. de pièce / Pieza n.° 209-1330_rA rev. 02/28/20
Lampe Vesper Edgeline / Iluminación Vesper Edgeline

ÉTAPE 5 - L'ASSEMBLAGE FINAL

7. Réglez la lumière verticalement jusqu'à ce qu'elle affleure le haut et le bas du boîtier de l'armoire.

8. Serrez les vis de montage [SS676] à l'intérieur des armoires pour terminer l'installation.

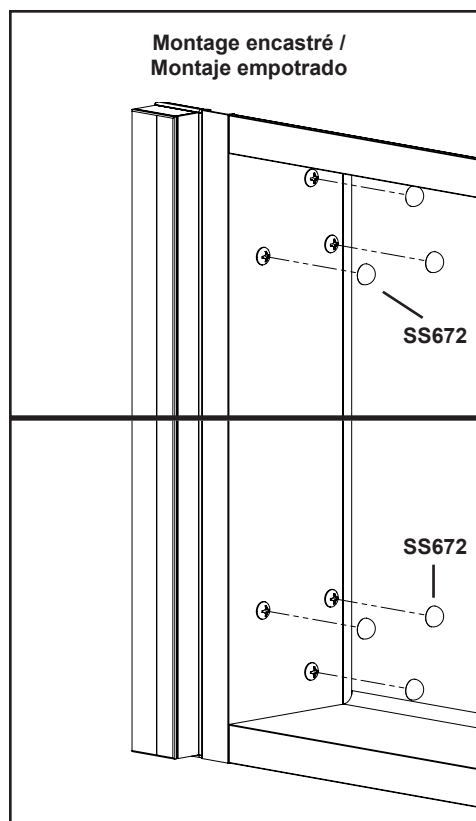
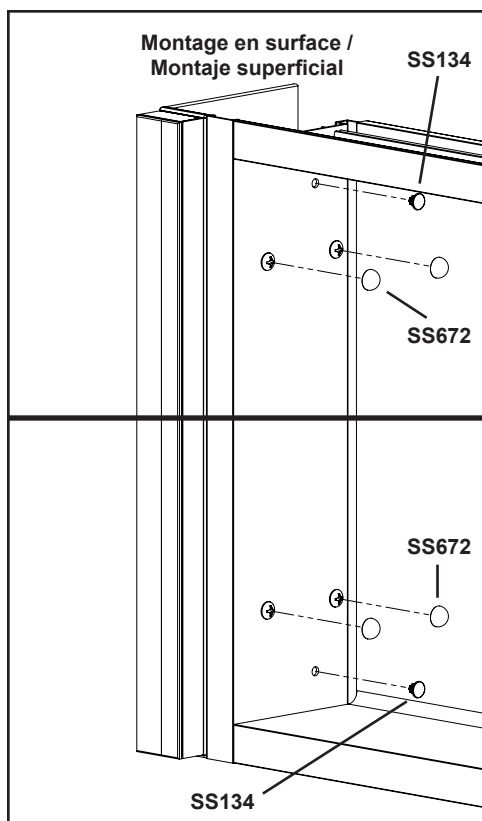
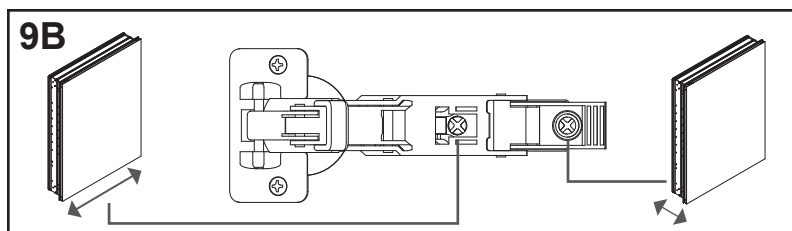
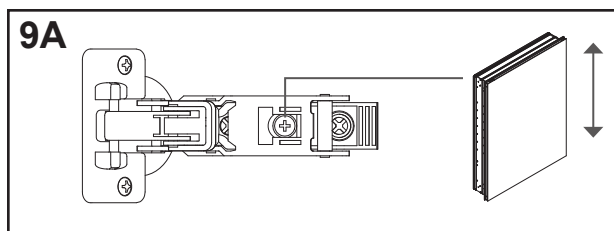
9. Ajustez les portes de l'armoire jusqu'à ce qu'elles s'alignent avec les lumières à l'aide des fonctions de réglage à trois voies des charnières, ajustées à l'aide d'un tournevis cruciforme n° 2.

9A. Hauteur: Avec la charnière légèrement fermée, vous pouvez accéder à la vis centrale. Cette vis déplacera votre porte vers le haut et vers le bas.

9B. Côté à côté / Profondeur: Avec la charnière complètement déployée, vous pouvez accéder aux vis avant et arrière. La vis avant ajustera la porte d'un côté à l'autre et la vis arrière ajustera la profondeur de la porte.

10. Appuyez un capuchon à vis n° 10 [SS672], fourni avec chaque lampe, sur toutes les têtes de vis exposées.

11. Enfoncez un bouchon de trou [SS134], fourni avec le matériel de votre armoire, dans tous les trous de montage ouverts.



robern

© 2020 Robern, Inc. 701 N. Wilson Ave. Bristol, PA 19007 U.S.A.
800.877.2376 www.robern.com

Instructions d'installation / Instrucciones de instalación

PASO 5 - ASAMBLEA FINAL

7. Ajuste la luz verticalmente hasta que quede al ras con la parte superior e inferior de la caja del gabinete.

8. Apriete los tornillos de montaje [SS676] dentro de los gabinetes para completar la instalación.

9. Ajuste las puertas del gabinete hasta que se alineen con las luces usando las funciones de ajuste de tres vías en las bisagras, ajustadas con un destornillador Phillips #2.

9A. Altura: con la bisagra ligeramente cerrada, puede acceder al tornillo central. Este tornillo moverá su puerta hacia arriba y hacia abajo.

9B. De lado a lado / Profundidad: con la bisagra completamente extendida, puede acceder a los tornillos frontal y posterior. El tornillo delantero ajustará la puerta de lado a lado y el tornillo trasero ajustará la profundidad de la puerta.

10. Presione una tapa de tornillo #10 [SS672], provista con cada luz, en todas las cabezas de tornillo expuestas.

11. Presione un tapón de orificio [SS134], incluido con el hardware de su gabinete, en todos los orificios de montaje abiertos.

No. de pièce / Pieza n.° 209-1330_rA rev. 02/28/20
Lampe Vesper Edgeline / Iluminación Vesper Edgeline

UTILISATION ET ENTRETIEN

ATTENTION - RISQUE DE CHOC

Risque de blessures; déconnecter l'alimentation électrique avant de procéder à un entretien.

Utilisez uniquement un chiffon humide pour nettoyer. Les nettoyeurs à base d'ammoniac ou de vinaigre peuvent endommager la finition. Une solution 50/50 d'eau et d'alcool isopropylique est recommandée pour nettoyer le luminaire.

Lors du nettoyage, vaporisez le chiffon et non le luminaire ou les surfaces environnantes. N'utilisez pas de nettoyeurs abrasifs sur aucune partie du luminaire.



GARANTIE

Garantie limitée d'un an

La société Robern garantit à l'acquéreur original qu'elle réparera, remplacera ou ajustera de manière appropriée, à son gré, les produits qu'elle fabrique et faisant preuve de défauts significatifs en matériaux ou en qualité de fabrication qui sont signalés à Robern par écrit dans un délai d'un (1) an suivant la date de livraison. Robern n'est pas responsable des frais d'installation. La garantie est annulée si le produit est endommagé en transit, ou si les dommages ou la défaillance sont le résultat d'une utilisation abusive ou inadéquate, d'un usage anormal, ou d'une installation défectueuse, de dommages survenus lors d'un accident, d'un entretien inapproprié, ou de toute réparation effectuée par des personnes non autorisées par Robern. Lors de l'expiration de la période de garantie d'un an, Robern n'assumera aucune obligation ultérieure sous les termes d'une garantie quelconque, expresse ou implicite, y compris la garantie tacite de qualité marchande. La société Robern ne pourra être tenue responsable pour des dommages indirects découlant de l'utilisation ou associés à l'utilisation ou à la performance de ses produits. Certains états ne permettent pas de limites sur la durée de la garantie tacite, ni l'exclusion ou la limite des dommages particuliers, accessoires ou indirects, et, par conséquent, lesdites limites ou exclusions précitées peuvent ne pas s'appliquer à votre cas. Toute responsabilité assumée par Robern sous une garantie implicite quelconque, y compris la garantie de qualité marchande, est limitée de manière expresse aux conditions de la présente garantie. La permission de renvoyer de la marchandise sous les termes de cette garantie doit être autorisée par Robern et les frais de renvoi doivent être prépayés par l'acquéreur. Les réclamations effectuées sous cette garantie doivent être envoyées directement à votre concessionnaire.

©2020 Robern, Inc.
Tous droits réservés

USO Y MANTENIMIENTO

PRECAUCIÓN - RIESGO DE SACUDIDA ELÉCTRICA

Riesgo de lesiones personales; desconecte el suministro eléctrico antes de dar servicio.

Use solo un paño húmedo para limpiar. Los limpiadores a base de amoníaco o vinagre pueden dañar el acabado. Se recomienda una solución 50/50 de agua y alcohol isopropílico para limpiar la lámpara.

Al limpiar, rocíe el paño, no la lámpara o las superficies circundantes. No use limpiadores abrasivos en ninguna parte de la lámpara.

GARANTÍA

Garantía limitada de un año

Robern garantiza al comprador original que, a su elección reparará, reemplazará, o hará los ajustes apropiados a los productos fabricados por esta compañía que se demuestre que tienen defectos significativos en material o mano de obra y que se reporten a Robern por escrito en menos de un (1) año a partir de la fecha de entrega. Robern no se hace responsable de los costos de instalación. La garantía se anula si el producto sufre daños durante el transporte, o si los daños o las fallas se deben a abuso, uso indebido, uso anormal, instalación defectuosa, daños en un accidente, mantenimiento inadecuado, o reparaciones distintas a las autorizadas por Robern. Al finalizar el año de garantía, Robern no quedará bajo ninguna obligación adicional bajo ninguna garantía, expresa o implícita, incluida la garantía implícita de comercialización. Robern no será responsable de daños emergentes que surjan del uso o del desempeño de sus productos, o en relación con ellos. Algunos estados no permiten limitaciones en cuanto a la duración de una garantía implícita o no permiten la exclusión o la limitación de daños incidentales o indirectos, por lo que es posible que estas limitaciones y exclusiones no se apliquen a su caso. Cualquier responsabilidad contra Robern bajo cualquier garantía implícita, incluida la garantía de comercialización, se limita expresamente a los términos de esta garantía. Robern debe autorizar el permiso de devolución de cualquier mercancía bajo esta garantía, y esta mercancía debe ser devuelta con porte pagado por el comprador. Las reclamaciones bajo esta garantía deben ser enviadas directamente a su distribuidor.

©2020 Robern, Inc.
Todos los derechos reservados

robern

© 2020 Robern, Inc. 701 N. Wilson Ave. Bristol, PA 19007 U.S.A.
800.877.2376 www.robern.com

Instructions d'installation / Instrucciones de instalación