

### Features

- Modular Cabinet - build arrays with single or multiple cabinets to suit
- Quiet close Safeseal® Gasket
- Mirrored interior with 7 adjustable glass shelves
- Includes magnetic tool holder, razor/phone holder and 3 tier tray
- Includes installation hardware for recess mounting
- Can be recessed or surface mounted (surface mounting kit required)

### Construction

- Satin anodized aluminum body and door frame
- 3 mirror design – rear of cabinet and both sides of door
- Blum 170° self-closing hinges
- Safeseal® Gasket with sealed corners on cabinet body
- Adjustable shelving at 2" (5.1 cm) increments
- Clip-on accessories & magnet area provided with cabinet
- USB charging port
- Electric Option Cabinet:
  - Standard knock out for ½" (1.3 cm) cable connector
  - Wired internally - Front access serviceability
  - Sensor controlled LED Lit Shelf

### Codes/Standards Applicable

- Electric Option Models are ETL certified to:
  - UL 962
  - CSA Standard C22.2 No. 68

### Dimensions

Height: 70" (177.8 cm)  
 Width: 15-1/4" (38.7 cm)  
 Depth: 4-5/8" (11.8 cm) - 7/8" (2.3 cm) Project from wall when recessed

### Options

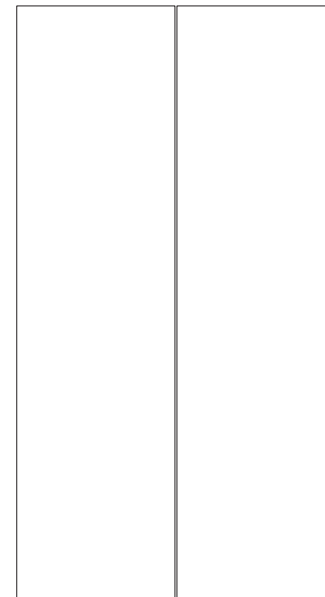
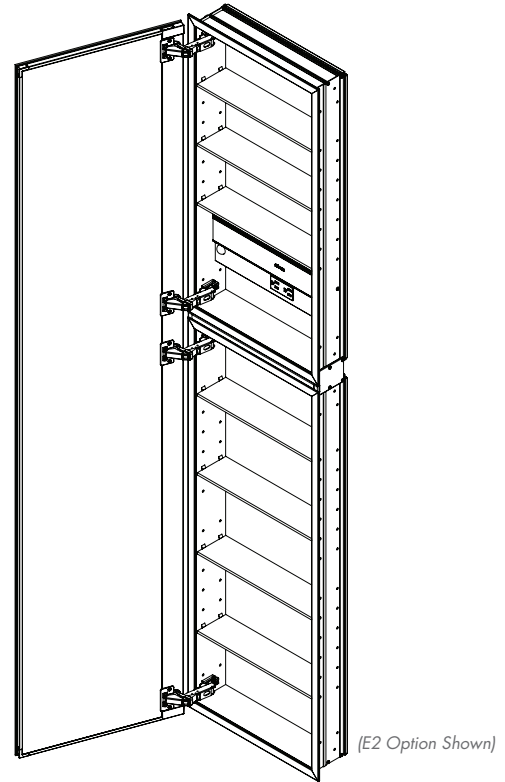
- Left or Right hand hinged
- Plain or Beveled front mirror
- Decorative or Digital Wood Glass
- E2 Electric includes USB, 120VAC outlet and Lighted Interior
- Other widths / heights / depths available

### Installation Options

**Recessed Mount** - Rough Opening - 69-1/4" H x 14-1/2" W x 4" D  
 (175.9 cm H x 36.8 cm W x 10.2 cm D)

**Surface Mount** - Reference Surface Mount Kit when ordering  
 MSMK70D4B – Beveled Mirror Kit  
 MSMK70D4P – Plain Mirror Kit  
 MSMK70D4## – Decorative Kit

**Gangs to M Series Cabinet** - Reference M Ganging Kit when ordering - MGKIT70



Ganging Cabinet-to-Cabinet Arrangement

### Model Number Key

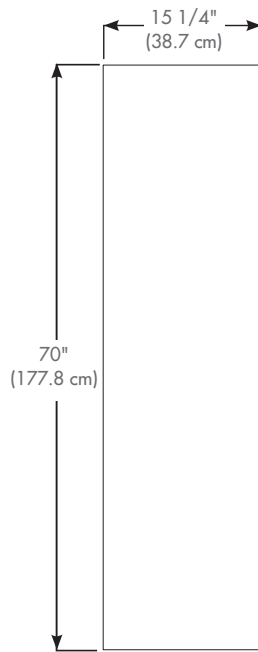
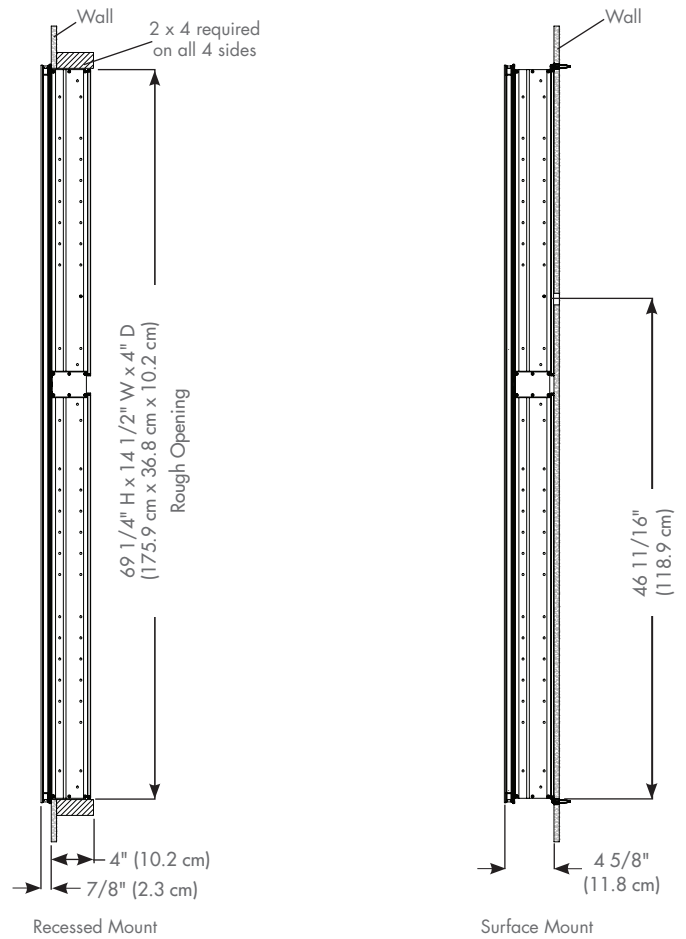
M Series	Cabinet	Width	Height	Depth	Door Style	Hinge Side	Options
M	C	16"	70"	D4	FP = Flat, Plain FB = Flat, Beveled ## = Decorative Glass Option	L = Left R = Right	Blank = Non Electric E2 = Electric and Interior Light

## Electrical System

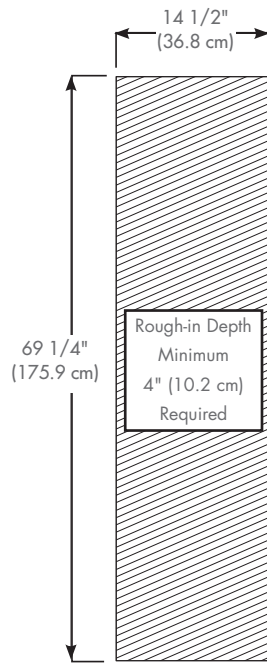
- For electric Option Cabinets E2
- 120 VAC 60HZ 20A
- Field wire location as shown in drawing
- 1/2" conduit (Ø 7/8" actual) electrical knockout location shown below
- Low voltage LED light shelf
- USB charging port

## Optional Accessories

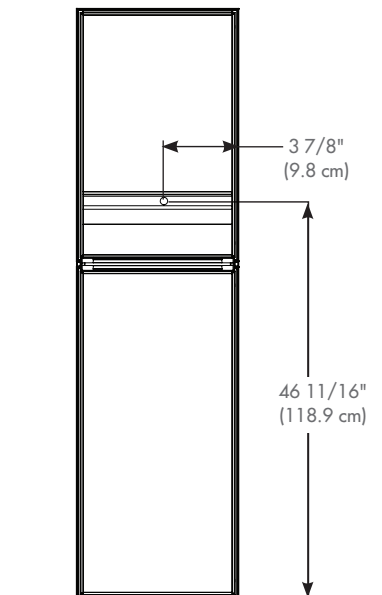
- Safety Lock Box – SLB
- Glass Bins
- Pull-out Magnifying Mirror – POMM
- Swing out Magnifying Mirror – SOMM
- Entice™ Magnifying Mirror with or w/o dock
- Handle Kits
- Push-to-open Kit



Cabinet Dimensions



Rough-in Dimensions



Back of Cabinet - Wire Access Location