

# RVB2113

BATHROOM VESSEL SINK

**RUVATI**<sup>®</sup>  
SPECIFICATION SHEET

## MATERIAL

- **EPISTONE:** High-quality innovative composite material that produces a hard surface and requires little maintenance.

## FEATURES

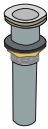
- **SATIN MATTE POWDER FINISH:** Natural beauty similar to stone and silky to the touch.
- **OVAL SHAPE:** For maximum comfort and easy cleaning.



## COLOR OPTIONS

**GW:** Matte Gold

## IN THE BOX



Popup Drain  
[RVA5104GW]

## NOMINAL DIMENSIONS

Exterior: 18-7/8" (wide) x 12-5/8" (front-to-back)  
Interior Bowl: 18-1/2" (wide) x 12-3/16" (front-to-back)  
Bowl Depth: 4-5/16"  
Minimum Cabinet Size: 20" wide  
Drain Hole Size: 1-7/8"

Installation Type:  
Vessel  
Drain Location:  
Center

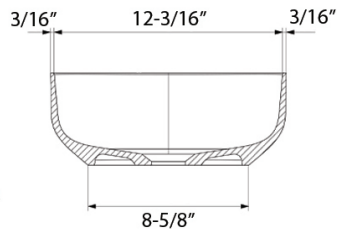
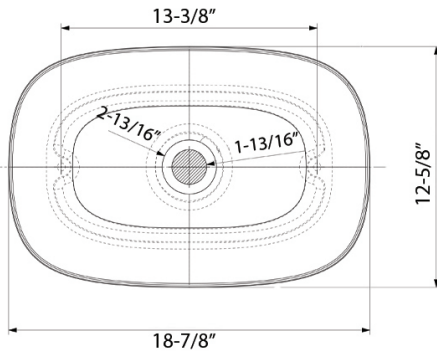
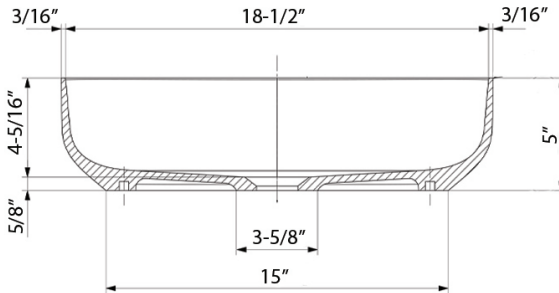
**RUVATI USA**  
www.ruvati.com

Phone: 1.855.478.8284  
Email: support@ruvati.com



cUPC certified by IAPMO to meet US and Canada plumbing standards.  
Codes compliance: ASME A112.19.3/CSA B45.4

## DIMENSIONS



Register your product at [www.ruvati.com/register](http://www.ruvati.com/register).