

# TECHNICAL SPECIFICATIONS

## CONNECTIONS



TOILET



SINK



SHOWER



BATHTUB



LAUNDRY  
SINK



WASHING  
MACHINE

## APPLICATIONS



RESIDENTIAL



COMMERCIAL

# Sanigrind® Pro Grinder

## FULL VIEW OF COMPLETE BATHROOM



## CLOSE-UP VIEW OF PRODUCT



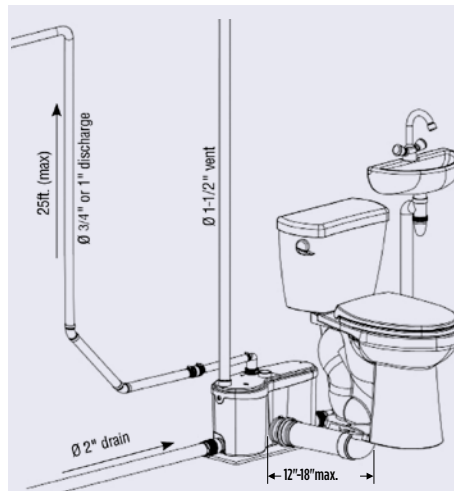
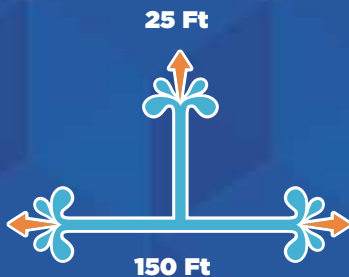
Example of installation. Follow local plumbing codes for actual install.

The **Sanigrind Pro** is a **1 HP pump system** used to install a complete bathroom up to **25 feet below the sewer line**, or even up to 150 feet away from a soil stack. It incorporates a grinder system which is ideal for uncontrolled environments in both residential and commercial applications (ie. rental unit, offices, warehouses, etc). The **Sanigrind Pro** is **designed to handle sanitary products** that may have been flushed down the toilet; such may consist of condoms, sanitary napkins, q-tips, dental floss, etc.



- **Discharges the waste through a 3/4" or 1" rigid pipe. A non-return valve is included** on the discharge elbow assembly provided with the system. This elbow can be rotated 360 degrees depending on the discharge installation.
- Has been designed with a **1-1/2" vent connection** on the top of the lid. All plumbing codes require connection to a vent system. Please note that the vent system should be a two-way air vent as air needs to freely flow both ways. Note: The use of mechanical vents, air admittance valves or similar devices is not permitted.
- This pump is designed to be connected to **any conventional toilet** with a bottom outlet (not supplied by Saniflo). Note that there should be a minimum 1/4" per foot gravity fall on the waste pipe coming from the toilet into the pump.
- Will also discharge gray water from any **sink, bath/shower, urinal and even a washing machine** (indirect connection). The wastewater will drain into the system via two 2" inlets with built-in check valves on either side of the housing. Note that when adding a bathtub/shower, the base should be raised up by a minimum of 8" off the floor.
- An easy access service panel is located on top of the pump. This will **give you easy access to the electrical components** such as the capacitor, microswitch, electronic board and membrane. For a full list of parts, please refer to the next page.

## PUMPING DISTANCE



## USE ANY CONVENTIONAL TOILET TO COMPLETE YOUR BATHROOM INSTALLATION

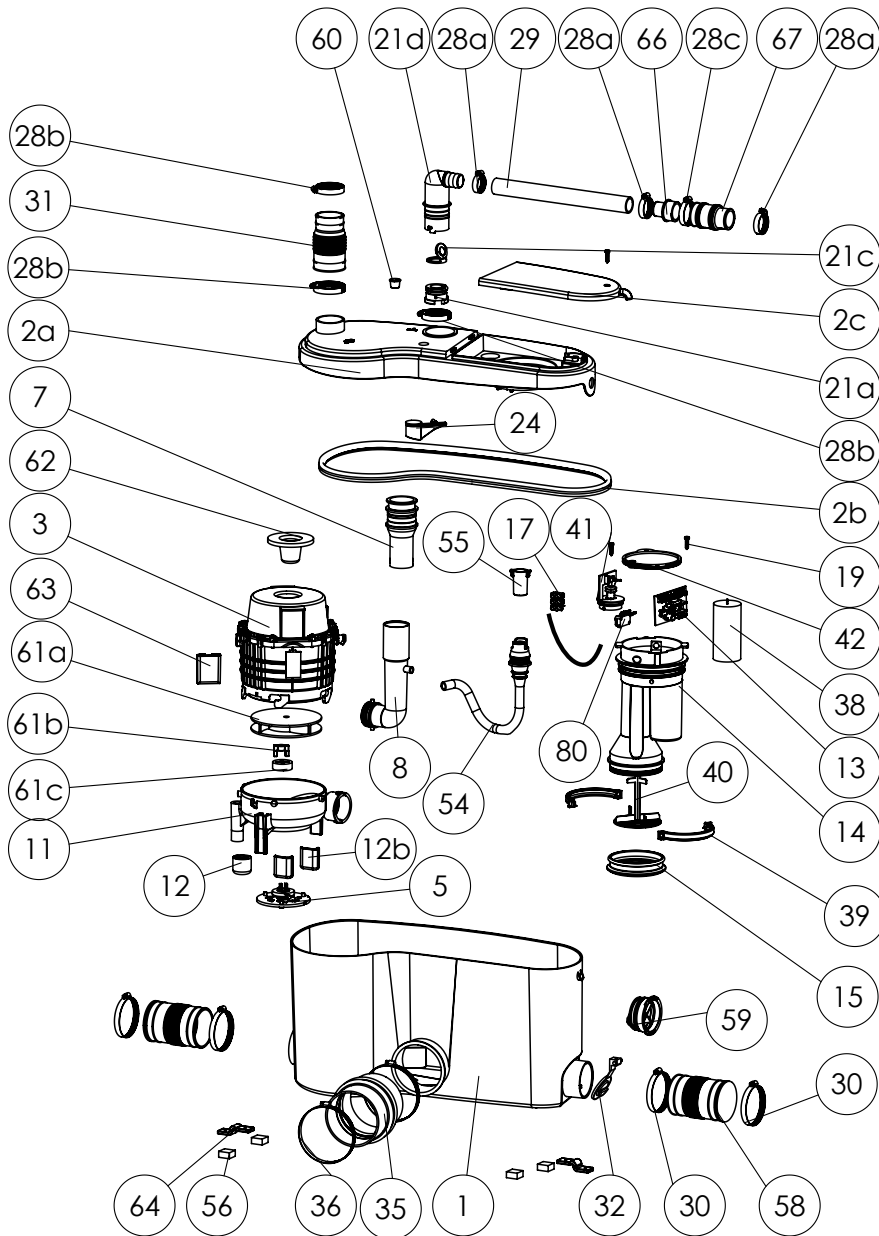
There are no limitations when it comes to designing your bathroom around the Sanigrind Pro (014) system as you can select **any conventional toilet of your choice**.

**Mix and match** your fixtures (shower, bathtub, sink) from other brands to complete your installation.

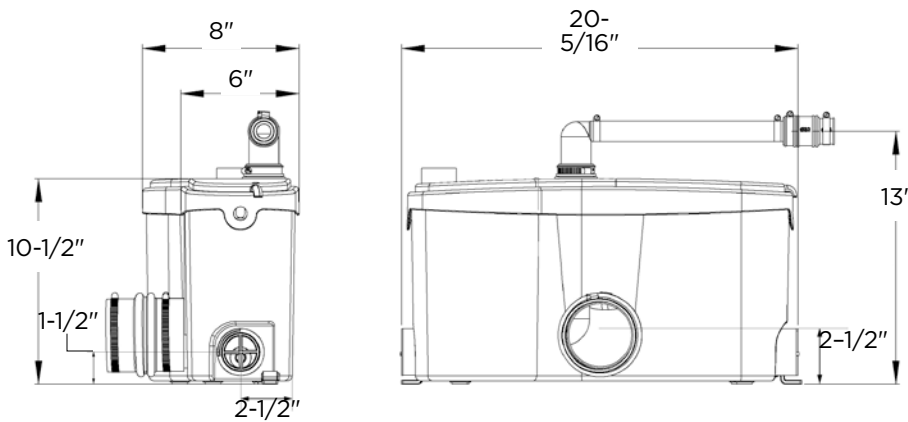
The unit can either be **installed on top of the floor** while the rest of the fixtures are installed on a raised platform or **you can lower the pump** eliminating the need to create a subfloor.

# TECHNICAL SPECIFICATIONS

PLEASE CALL US TOLL-FREE AT  
**800-571-8191 (US) / 800-363-5874 (CDN)**  
 TO PURCHASE PARTS REFERENCED BELOW



## DIMENSIONAL DRAWINGS



Choose any conventional toilet, shower, bathtub or sink  
 and enjoy your dream bathroom.

## TECHNICAL SPECIFICATIONS

### Pump type:

Grinder

### Electrical:

120 V - 60 Hz / 9 Amps (Max)

### Motor:

1 HP oil-filled thermally protected motor

### Capacitor rating:

60 microfarad

### Operating Temperature:

104°F (110°F Max.)

### Power cord length:

49 inches

### Noise level:

≤ 63 dBA (Lp) (measured at 3 ft.)

### Discharge pipe diameter:

3/4" or 1"

### Discharge rate at 25 ft:

19 GPM

### Discharge rate at 3 ft:

38 GPM

### Shut-off head:

38 ft.

### Normal running time:

Depends on toilet system

### Capacity:

3.2 gallons / 12.1 liters

### Inlets:

2" (sides), 1-1/2" vent (top)

### Method of activation:

Membrane/microswitch

### Shower/bathtub base height:

8" min

### Weight:

30 lbs / 13.6 kg

### Certifying agencies:

CSA (IPC, NSPC), IAPMO (UPC)

### Recommended accessories:

Descaler, Sanialarm

### Connections:

Bottom outlet toilet, sink, shower/bathtub,  
 washing machine (indirect connection via  
 laundry sink)

