



Simplicity Installation & Setup and Care & Cleaning

Installing Vanities.....	1
Installing Medicine Cabinets	2
Installing Overjohns & Cubbies	4
Installing Wall Mirrors	5
Removing and Installing Doors	6
Adjusting Door Face Alignment.....	7
Removing and Re-installing Drawers	8
Adjusting Drawer Faces	8
Installing Vanities with China Tops.....	9
Trimming with Filler & Scribe Molding.....	10



Thank you for purchasing **Simplicity** by STRASSER WOODENWORKS Products for your bath.

If you have questions, don't hesitate to call our Customer Service
Toll Free 1-800-445-0494, 7AM-4PM Pacific Coast Time.

Crafted for you in the USA



Installing Vanities

CAUTION! Remove Doors and Drawers

Always remove drawers and doors from your cabinets during installation (see pages 6 and 8) and store them away from the work area. This will make your cabinets lighter, easier to move and position, and safer to handle. Drawers and doors open unexpectedly and unbalance the cabinet while you are moving it, causing personal injury or damage to your cabinet. Plus, drawer and door faces will be protected from damage during installation if stored away from your project.

Damage caused during installation is not covered by warranty.



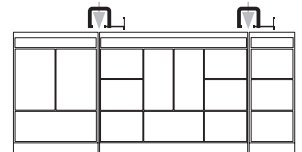
Installing Vanities

The key to a good installation of a vanity ensemble is to understand that walls and floors are never exactly level, plumb, or square.

Securing a vanity or ensemble to your walls is important. However, forcing a square cabinet to fit against not-so-square walls will distort the cabinet frame and cause drawer and door hardware to mis-align and bind. While our hardware is fully adjustable to compensate for this visually, the drawers may not open and close smoothly. **Never** close gaps by overly tightening the securing screws. **Always** use shims between the cabinet and wall and floor where gaps exist before tightening securing screws.

Place your cabinet into approximate position.

If you are installing an ensemble of more than one piece, clamp components together making sure that they are accurately mated and the top edges are exactly aligned. Drill pilot holes and screw components together. We recommend four screws per pairing.



Place the vanity or ensemble into it's exact final position and level. Use shimming underneath where necessary.

We recommend screwing to wall studs in at least two positions along the back and one in the side, if the side is against a wall. Shim where necessary at securing points between wall and cabinet if the wall is not exactly straight or plumb.

Re-install Doors and Drawers

Once your cabinets are in their final positions and secured, re-install and adjust doors and drawers according to directions on pages 6 - 8.



Installing Medicine Cabinets



CAUTION! Remove Doors

Always remove the doors from your medicine cabinet during installation (see page 6) and store them away from the work area. This will make your cabinet lighter, easier to move and position, and safer to handle. Doors open unexpectedly and unbalance the cabinet while you are moving it, causing personal injury or damage to your cabinet. Plus, door faces will be protected from damage during installation if stored away from your project.

Damage caused during installation is not covered by warranty.

Installing Simplicity Medicine Cabinets

1. Determine the desired location of the Medicine Cabinet Box (before Lightbox or Crown is installed) and mark the wall at top center of the Cabinet Box. **See Figure 1.**

Figure 1.

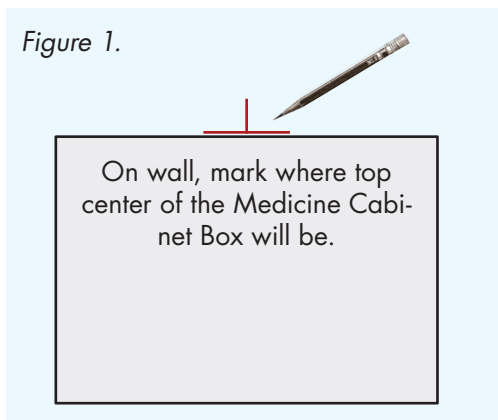


Figure 2.

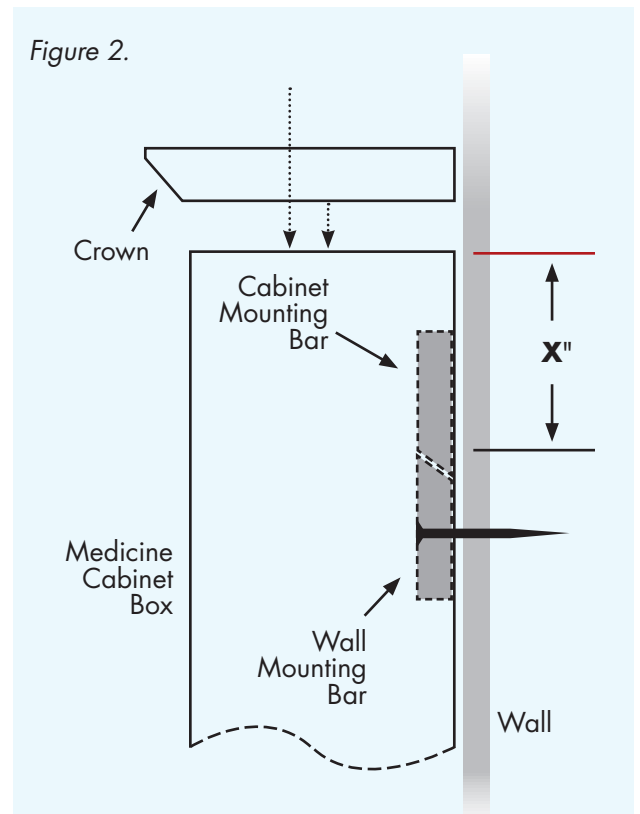
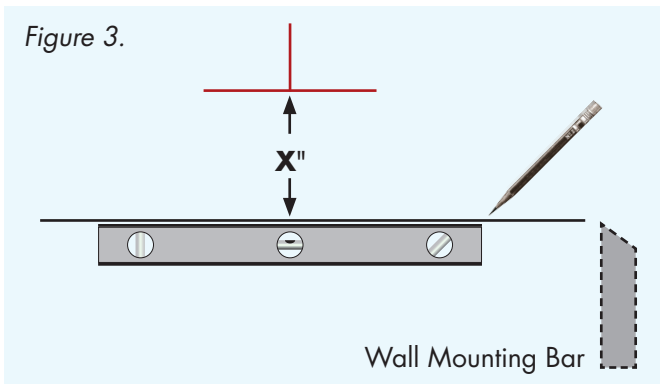




Figure 3.

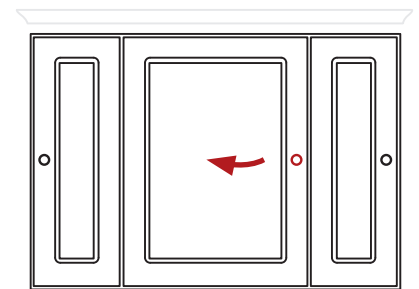
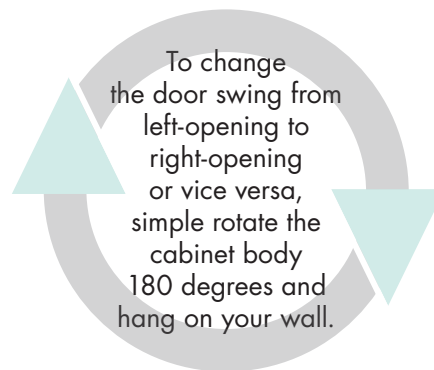
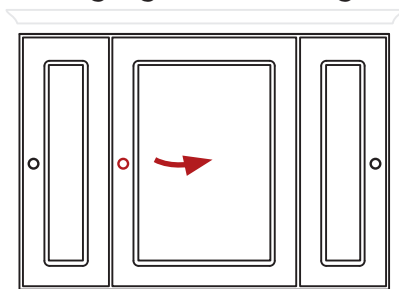


2. Measure "X" on your Medicine Cabinet. **See Figure 2.**
3. Measure down X" and make a level horizontal line. The top edge of the Wall Mounting Bar will be at this line. **See Figure 3.**
4. Appropriately and securely attach the Wall Mounting Bar to the wall. **If you are not familiar with types of screws, load, or how to do this for your specific application; ask a professional. Do not bend the Wall Mounting Bar even if wall is not flat. Shim where necessary.**
5. Place Medicine Cabinet against the wall and slide down until the Medicine Cabinet Mounting Bar mates with the Wall Mounting Bar.

Re-install Doors and Drawers

Once your cabinets are in their final positions and secured, re-install and adjust doors and drawers according to directions on pages 6 - 8.

Changing Door Swing

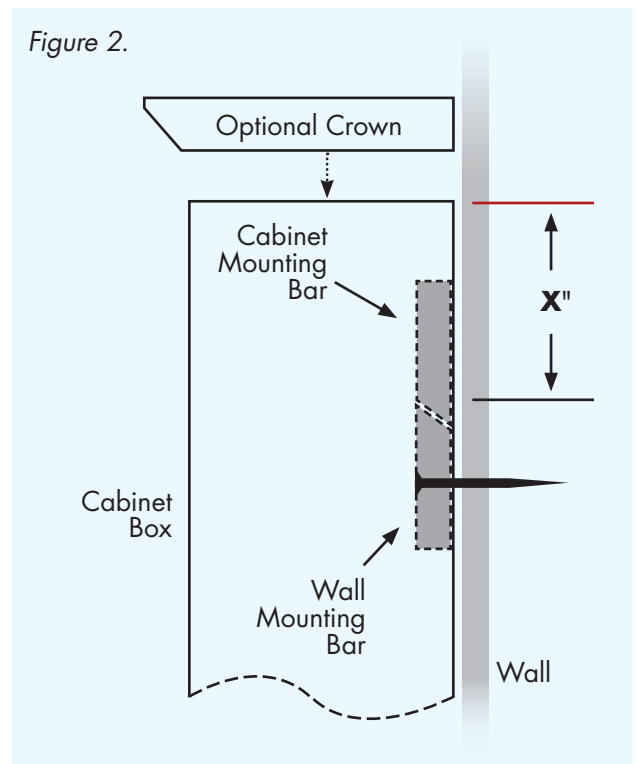
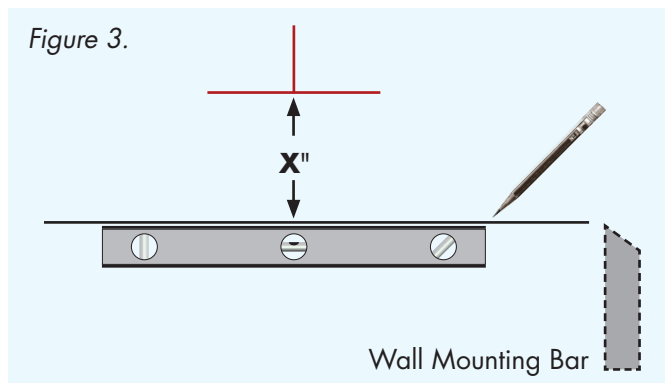
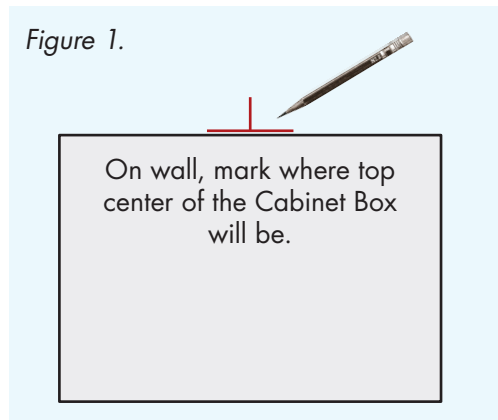




Installing Overjohns & Cubbies

Installing Simplicity Overjohn or Cubby

1. Determine the desired location of the Cabinet Box before Crown is installed) and mark the wall at top center of the Cabinet Box. **See Figure 1.**
2. Measure "X" on your Cabinet. **See Figure 2.**
3. Measure down X" and make a level horizontal line. The top edge of the Wall Mounting Bar will be at this line. **See Figure 3.**
4. Appropriately and securely attach the Wall Mounting Bar to the wall. **If you are not familiar with types of screws, load, or how to do this for your specific application; ask a professional. Do not bend the Wall Mounting Bar even if wall is not flat. Shim where necessary.**
5. Place Cabinet against the wall and slide down until the Cabinet Mounting Bar mates with the Wall Mounting Bar.
6. Finally, secure the Optional Crown, if you chose to use one, to the cabinet top.



Changing door swing on Cubbies see next page.



Changing door swing on Cubbies

To change the door swing from left-opening to right-opening or vice versa, simply rotate the cabinet body 180 degrees and hang on your wall.

Installing Mirrors

Installing Mirrors with Included Cleat

Our Mirror mounting system is easy to use, convenient, and very strong.

1. Determine the desired location of the Mirror and mark the wall, with a pencil, at top center of the mirror. **See Figure 2.**
2. Measure "X" on your mirror. **See Figures 1 & 3.**
3. Measure down "X" on your wall from the mark designating mirror top center. Using a level, mark the positions of the cleat mounting holes as shown in **Figure 3.**
4. Appropriately and securely attach Cleat half B to the wall. **If you are not familiar with types of screws, load, or how to do this for your specific application; ask a professional. Do not bend the Wall Mounting Bar even if wall is not flat. Shim where necessary.**

Figure 1.

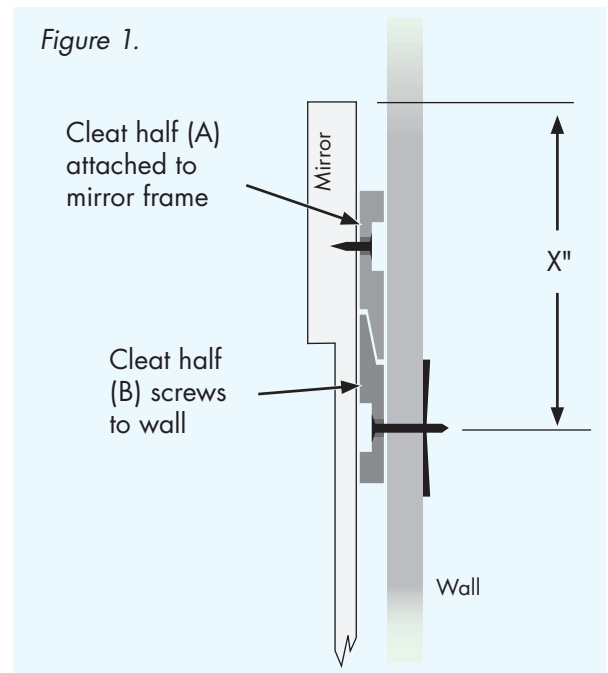


Figure 2.

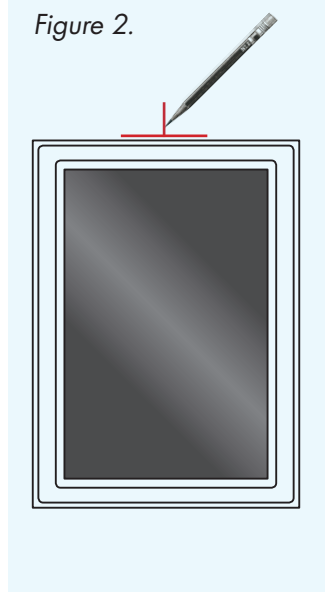


Figure 3.

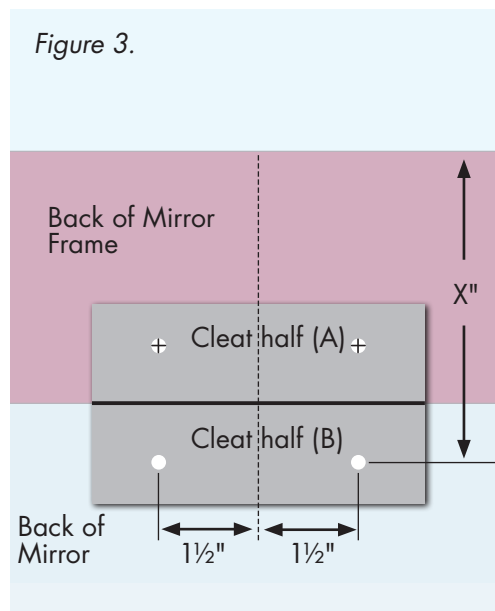
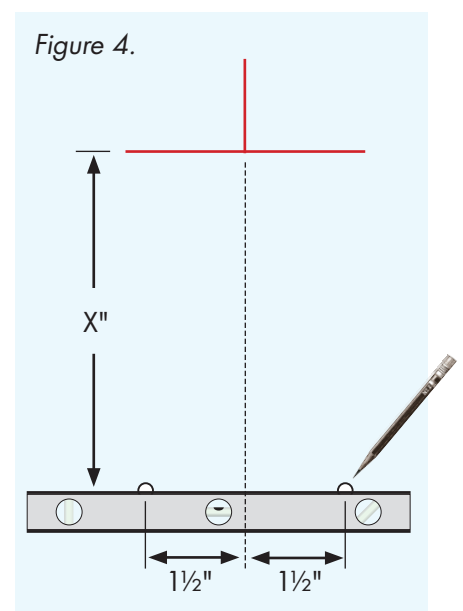


Figure 4.



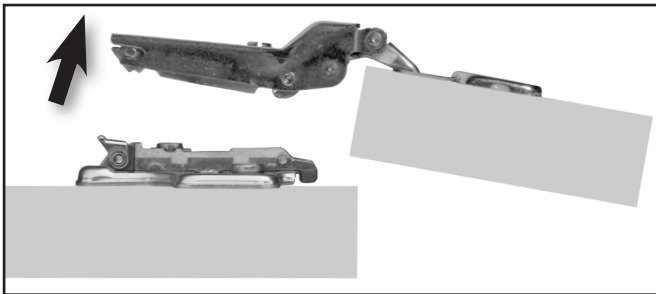
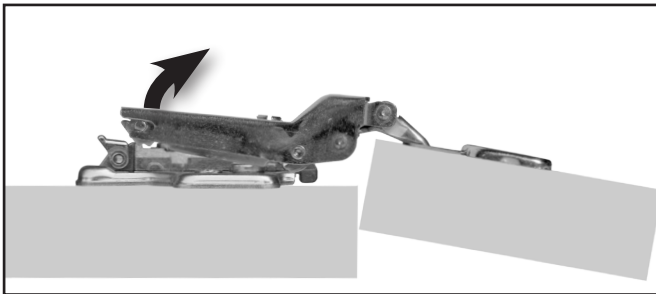
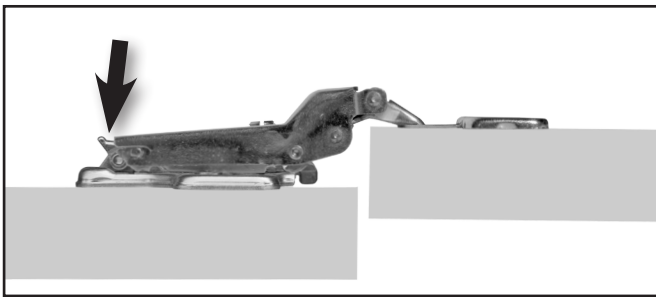


Working with Doors

REMOVING AND RE-INSTALLING DOORS with 6-way Adjustable Hinges

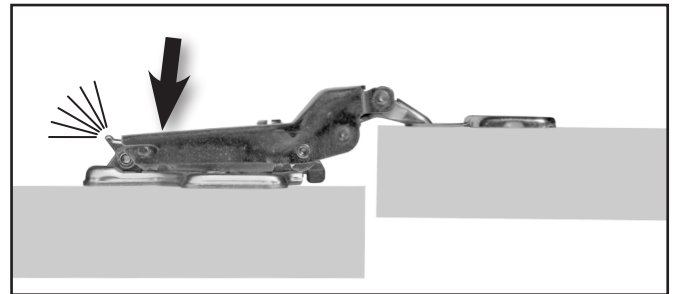
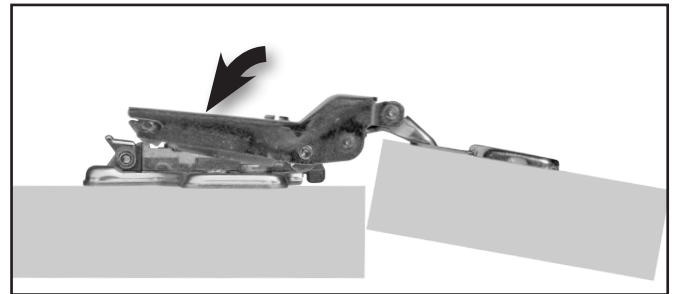
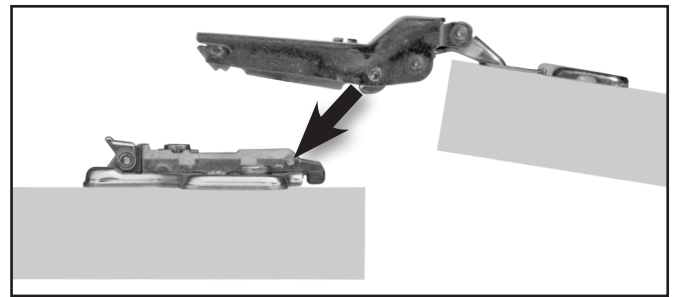
To remove door:

Depress small lever as indicated on both hinges of a door. Rotate the door outward from cabinet, disengage the hinges and remove.



To re-install door:

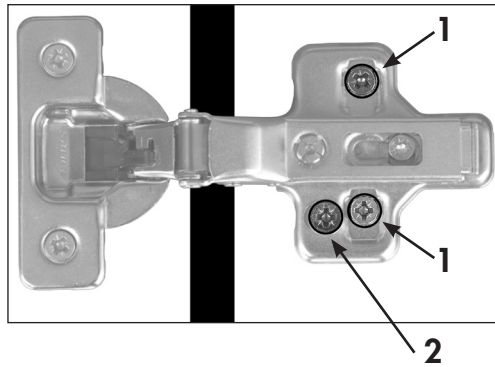
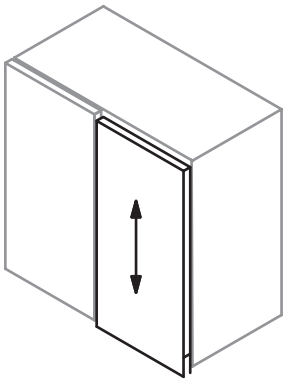
Engage both hinges by lining up hinge hooks and pins. Push each hinge into the rail until it clicks locked.





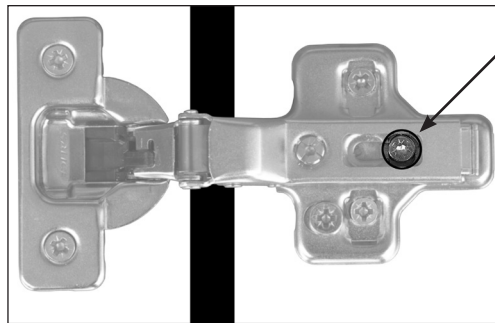
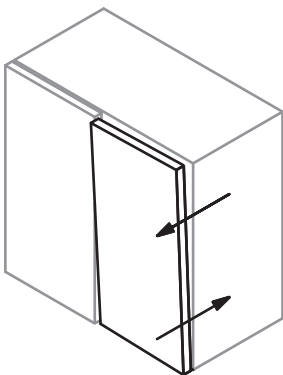
ADJUSTING DOOR FACE ALIGNMENT

Adjusting door up & down



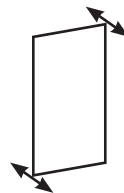
Loosen screws **(1)** on both hinges. Turn screw **(2)** equally on each hinge to move both hinges up/down. **Never adjust one hinge without also adjusting the other hinge.**

Adjusting door in & out

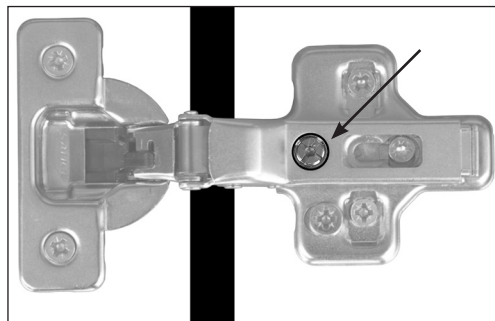
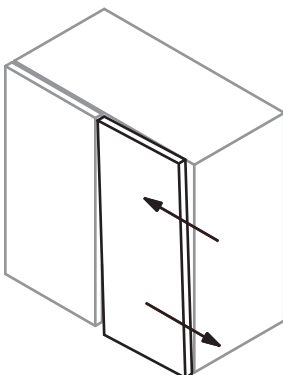


Turn screw indicated to adjust door in/out.

Note: as the door corner at the hinge moves in one direction, the diagonally opposite corner moves in the other direction.



Adjusting door left & right

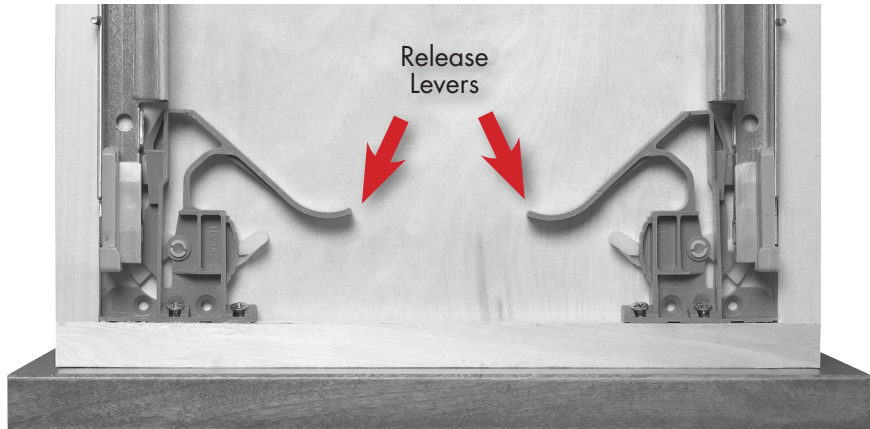


Simply turn indicated screw to adjust door left/right.



Working with Drawers

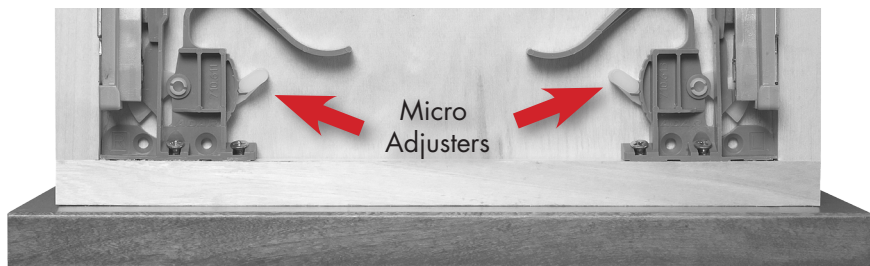
Removing and Re-installing Drawers



To remove a drawer, open the drawer, reach under it and pull the release levers toward the drawer front. The drawer is now released from the glides and you can toward you and upward to remove.

To replace, simply set the drawer box onto the rails and push closed. Drawer will automatically re-engage with the glides.

Adjusting Drawer Face Alignment

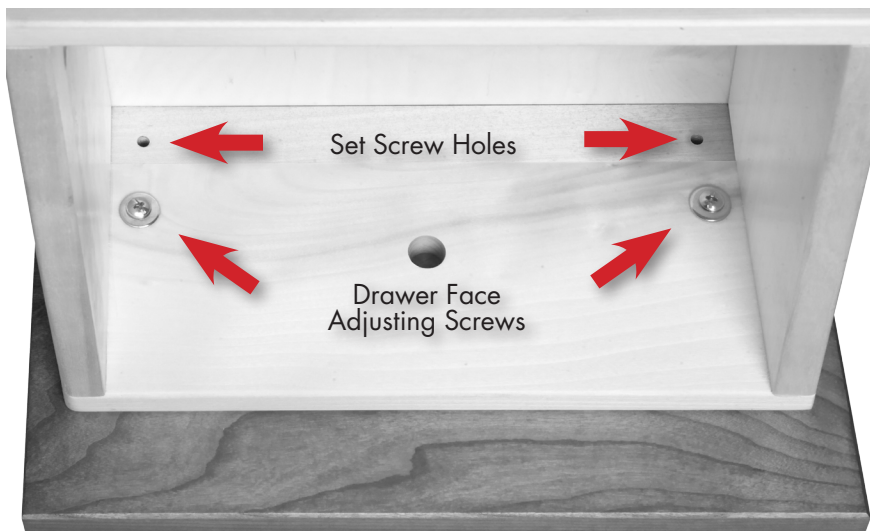


To adjust drawer face alignment begin by setting the micro adjusters to their middle position as shown. This will allow you to later fine-tune the face position.

Then, loosen the two indicated screws inside the drawer box slightly and move the face to the desired position. Once you are satisfied, tighten all of these screws on all drawers.

Finally, screw the provided set screws into the small holes beneath the adjusting screws to secure the faces to the drawer boxes.

Fine tune with the micro adjusters. Each one will raise or lower one side of drawer front.





Installing Vanities with China Tops

CAUTION! Remove Doors and Drawers

Always remove drawers and doors from your cabinets during installation (see pages 6 and 8) and store them away from the work area. This will make your cabinets lighter, easier to move and position, and safer to handle. Drawers and doors open unexpectedly and unbalance the cabinet while you are moving it, causing personal injury or damage to your cabinet. Plus, drawer and door faces will be protected from damage during installation if stored away from your project.

Also, store your china top away from your workspace. This will make the area safer and will assure that your top is not damaged while installing the vanity base.

Damage caused during installation is not covered by warranty.



Installing Vanity Base

Follow the instructions on page 1, "Installing Vanities".

Installing Vanity Top

Install faucet and drain according to manufacturers instructions into the vanity top before installing the top onto the vanity. Set top onto the vanity and check for fit and clearance of faucets, drain and plumbing inside the vanity. Remove top and set safely aside.

Using clear bath caulking/adhesive place 1" long beads on the top edge of the vanity: one in the middle of the back and each side; and approximately every 12" along the front. Place the top on the vanity and position snugly against the wall and center left to right. Clean any excess caulking from the vanity side panels under the top. Then, run a bead of caulking along the back of the top at the wall to seal that contact.

Let the caulk set overnight and proceed to connect the water supply lines and drain. Make faucet spigot and handle adjustments, etc. Turn on the water supply and check for leaks at all fittings. Fill the basin with water and then drain while checking for leaks.

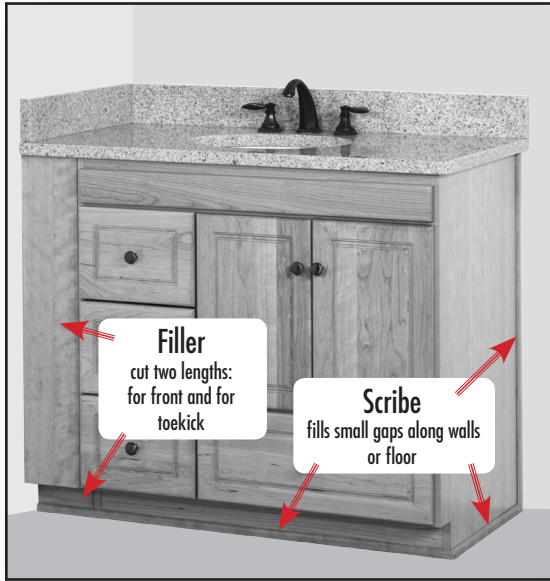
IMPORTANT Check inside and around the vanity on the floor for water from leaks the next day and also in about a week. A slow leak can accumulate water under the vanity and will cause damage to the vanity. Without follow up checks you may never notice this until there is a problem. Damage from leaks is not covered by the warranty.

Re-install Doors and Drawers

Once your cabinets are in their final positions and secured, re-install and adjust doors and drawers according to directions on pages 6 - 8.



Filler and Scribe Molding



Cut Filler or Scribe to length and secure in place with adhesive or fasteners of your choice.

Fillers are commonly ripped (cut) to the width desired by installer. Note that the space to fill may be wider or narrower at the top than at the bottom and requires a cut to fit.

