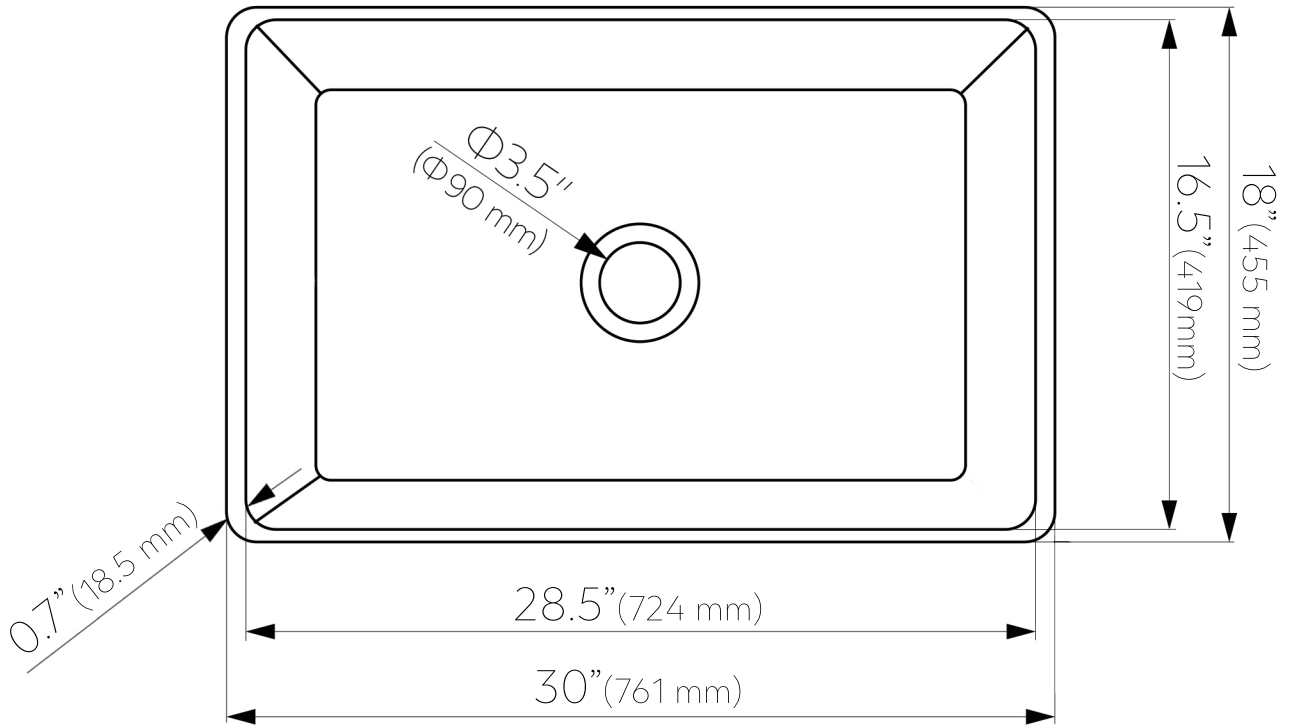
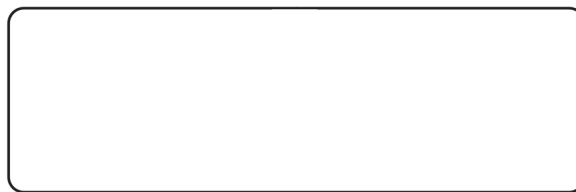


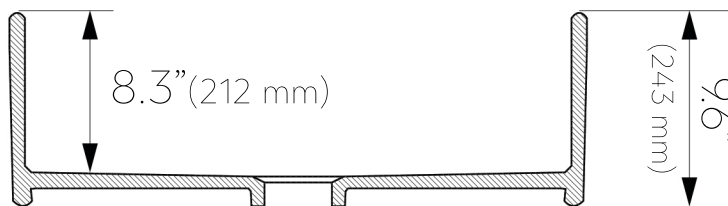
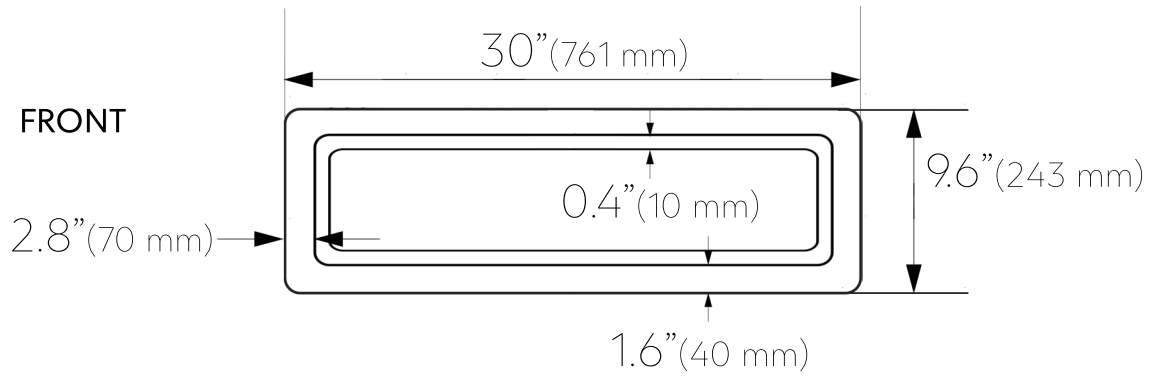
TOP VIEW



BACK



FRONT



Note

+/- 3 mm tolerance on all measurements.

