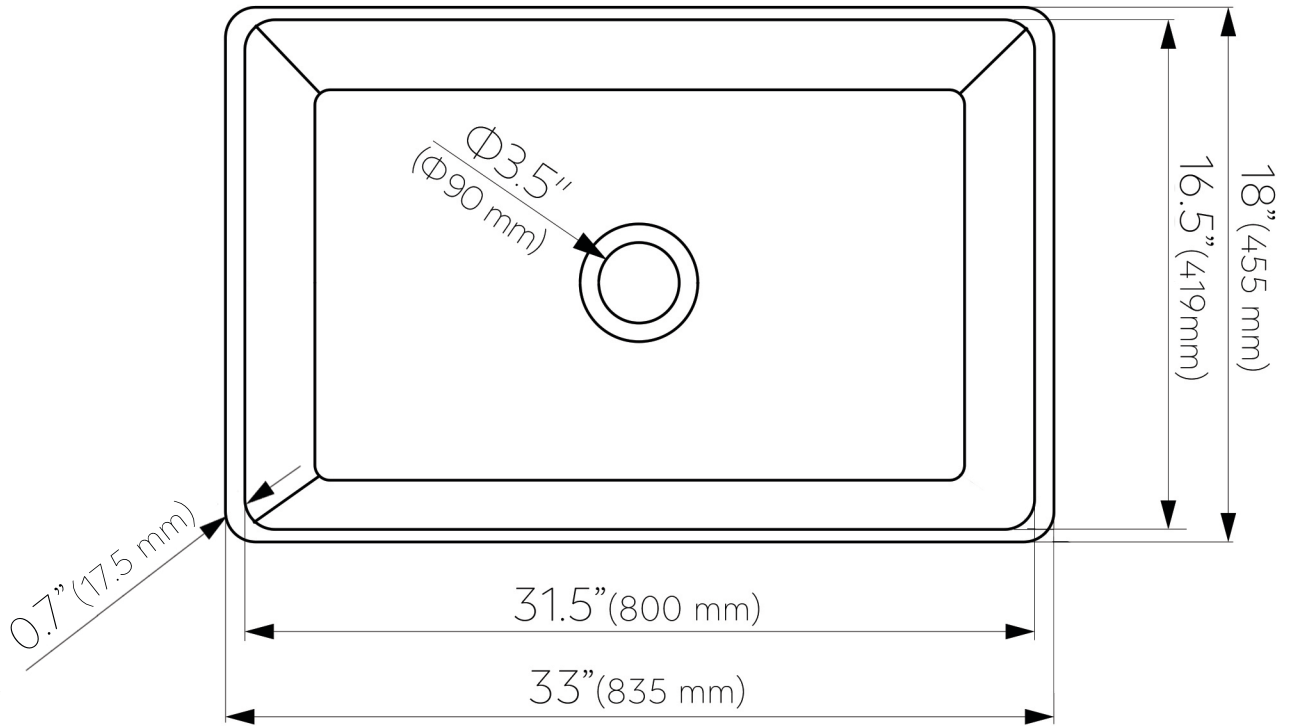
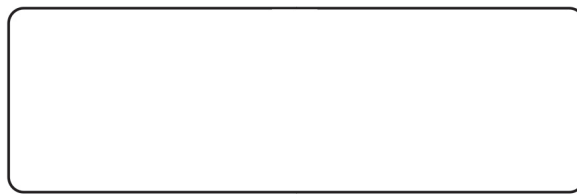


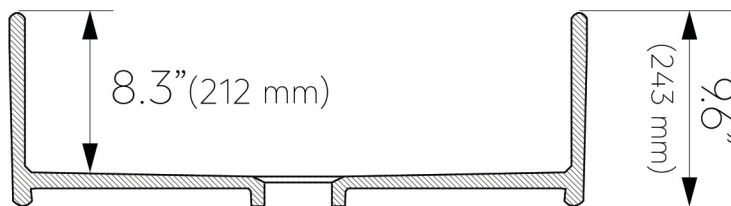
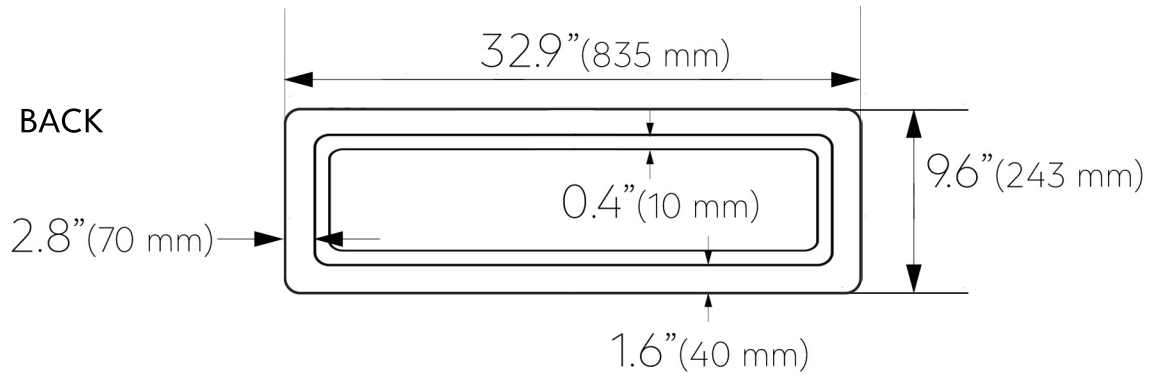
TOP VIEW



FRONT



BACK



Note

+/- 3 mm tolerance on all measurements.

