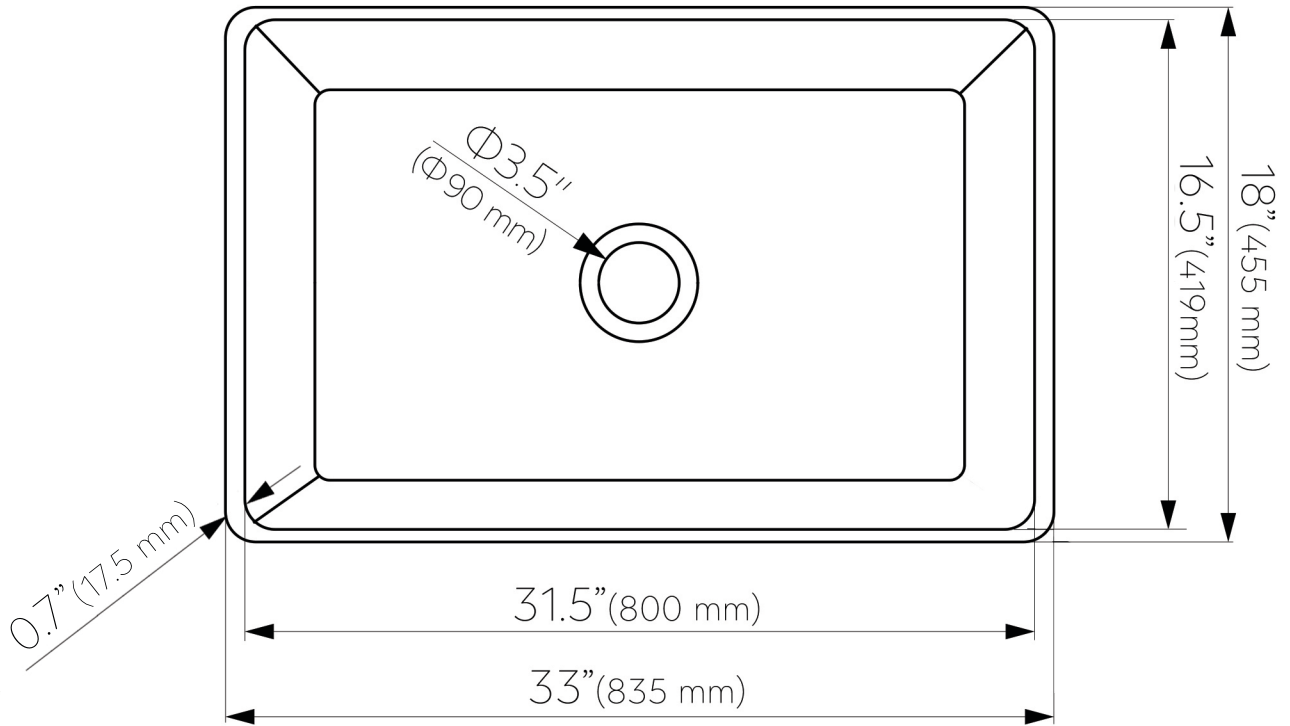
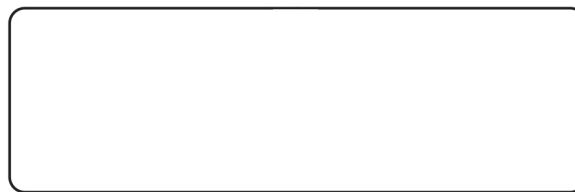


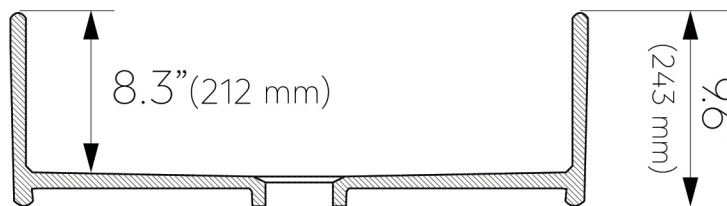
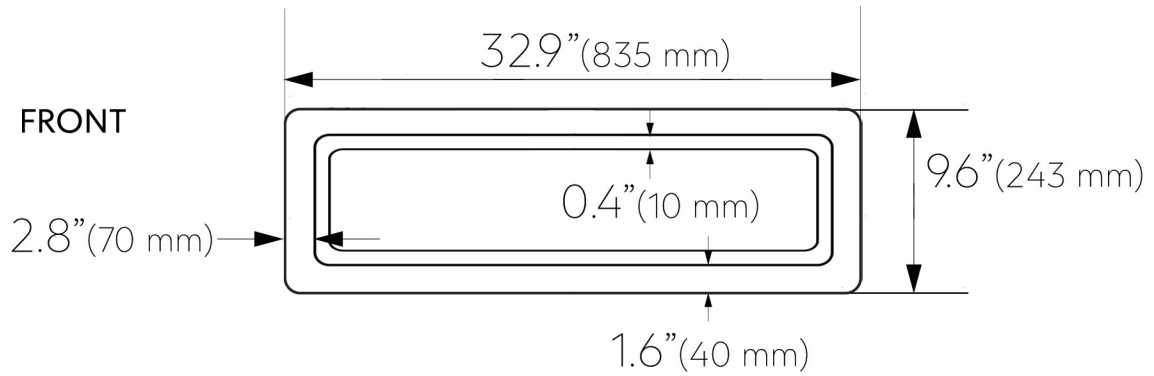
## TOP VIEW



## BACK



## FRONT



### Note

+/- 3 mm tolerance on all measurements.

