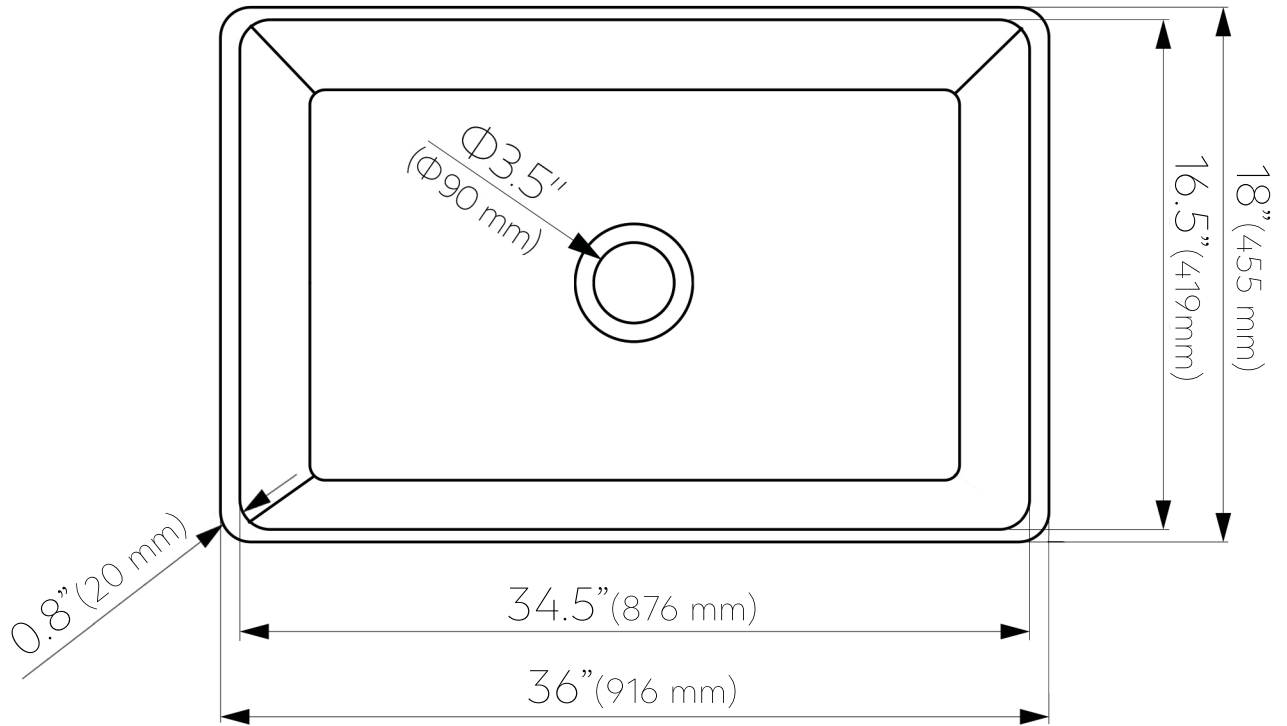
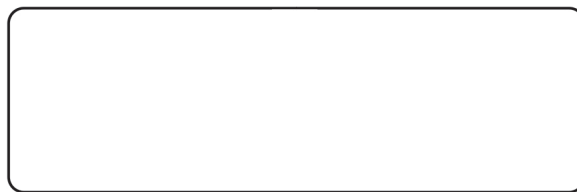


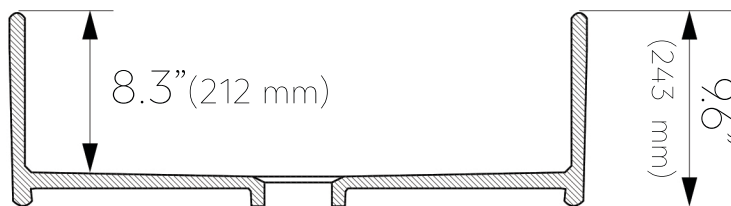
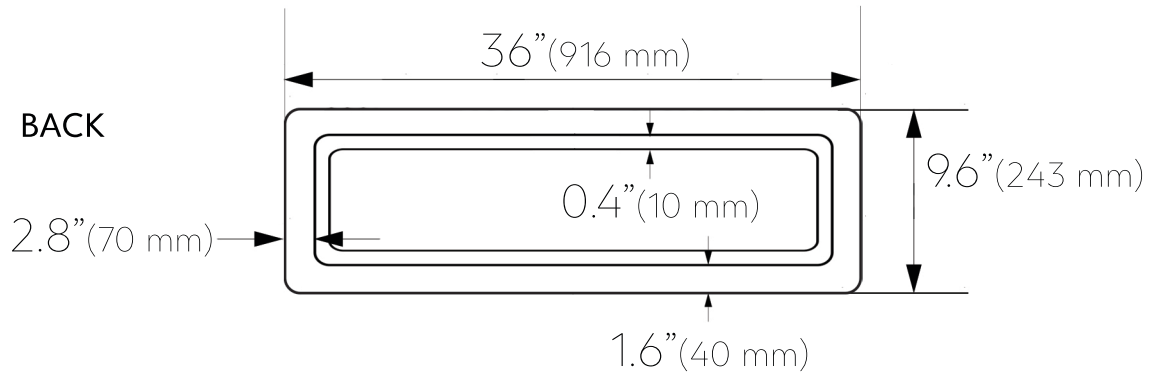
## TOP VIEW



## FRONT



## BACK



### Note

+/- 3 mm tolerance on all measurements.

33.5

