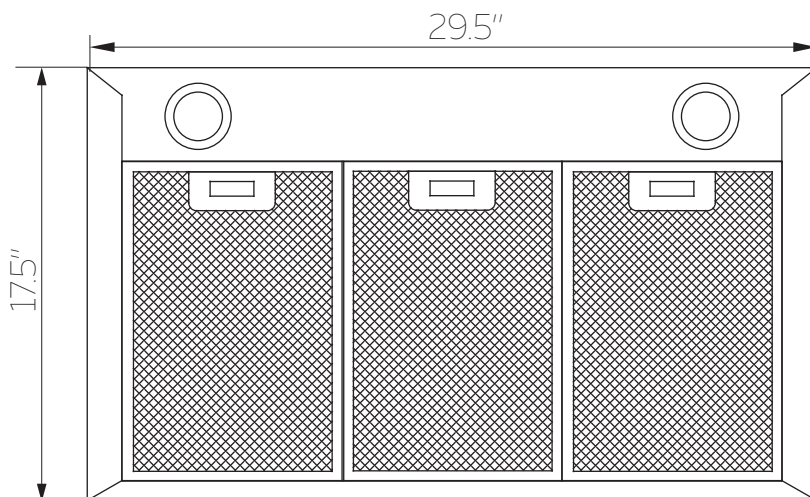
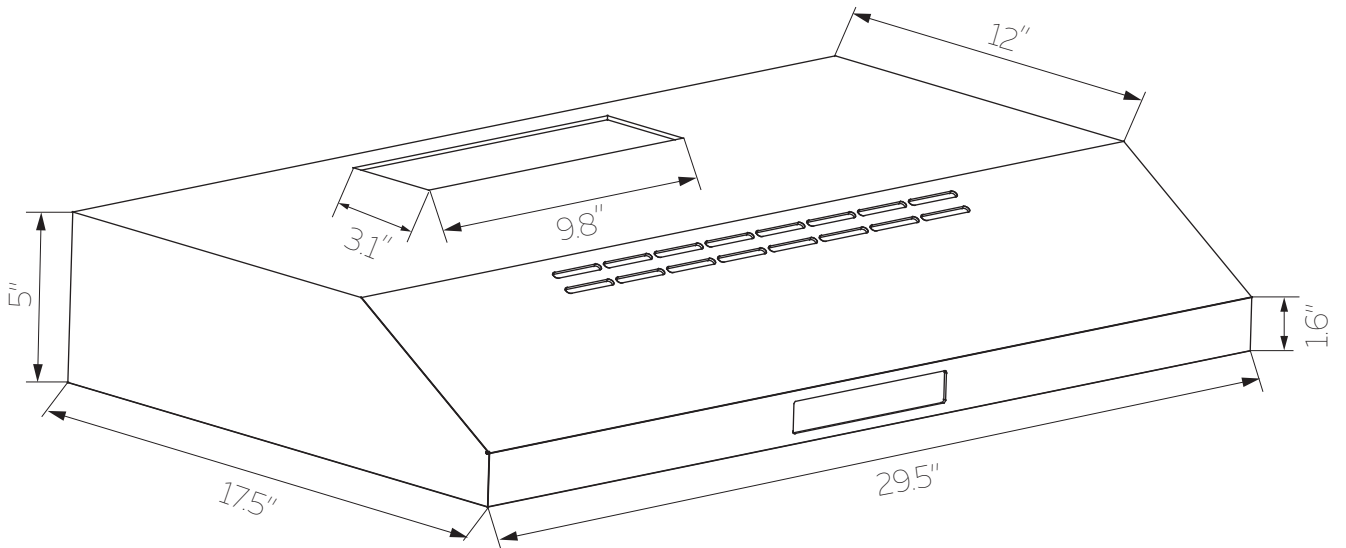


FRONT VIEW



VIEW FROM UNDER