

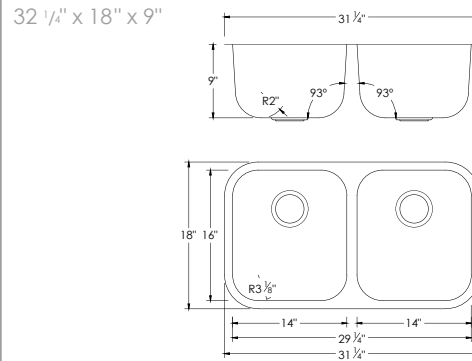


# JASPEL S-200T

STAINLESS STEEL  
PRESSMADE DOUBLE BOWL KITCHEN SINK



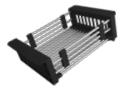
### DIMENSIONS



### INCLUDED ACCESSORIES



ST-05  
STRAINERS



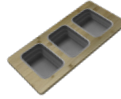
A-911  
BASKET



A-916DG  
DRYING MAT



A-904  
CUTTING BOARD



A-910  
SERVING BOARD



A-913  
CUTTING BOARD



A-900DG  
DRYING RACK



A-905  
COLANDER



S-01S  
SOAP DISPENSER

### RECOMMENDED ACCESSORIES

### SURFACE FINISH

BRUSHED  
SATIN FINISH

### DRAIN HOLE SIZE



### CORNER PROFILE



WIDE RADIUS

### INSULATION

COATED +  
RUBBER PADS

### BOWL DEPTH



9"  
DOUBLE  
BOWL

### INSTALLATION OPTIONS



DROP-IN



UNDERMOUNT

### MATERIAL

Premium 18 gauge stainless steel with 18/10 chrome-nickel content. The 18% of chrome content provides durability, maximum protection against rust and a beautiful satin finish. The 10% of nickel content provides excellent strength and hardness.

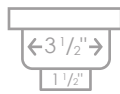


18 GAUGE  
STAINLESS STEEL

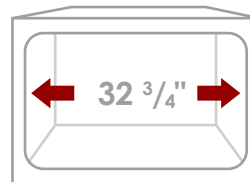
### PRODUCT DIMENSIONS

Overall Dimensions	32 1/4" x 18" x 9"
Internal Dimensions	29 1/4" x 16" x 9"
Left Basin	14" x 16" x 9"
Right Basin	14" x 16" x 9"
Drain Opening Size	3 1/2"

### STANDARD STRAINERS



### CABINET SIZE



MINIMUM  
INTERNAL SIZE

### GARBAGE DISPOSAL

Stylish® sinks have on standard 3 1/2" drain opening that can fit any garbage disposal unit. The sink structure is well designed to withstand any heavy garbage disposal unit.



### WARRANTY

This product is covered by a limited lifetime warranty. Consult our website for complete details.

### PRODUCT CARE

Rinse and dry your sink with a clean soft cloth, working with, not a cross, the grain. We recommend the use of a mild solution of water and vinegar to remove any mineral deposits that may have built up on your sink.

Use mild non-abrasive liquid cream cleaners that do not contain chlorine, sodium hypochlorite or hydrochloric acid to help maintain the original appearance of your sink. Ensure that you thoroughly rinse your sink and wipe it dry. We recommend the use of a stainless steel grid that fits inside the bottom of the sink bowl and protect the sink from scratches.



### STANDARDS COMPLIANCE

cUPC certified  
ISO 9001 certified

Stylish International Inc.

[www.stylishkb.com](http://www.stylishkb.com)

[stylish.international.inc](http://stylish.international.inc)

[care@stylishkb.com](mailto:care@stylishkb.com)

+1-855-789-5352