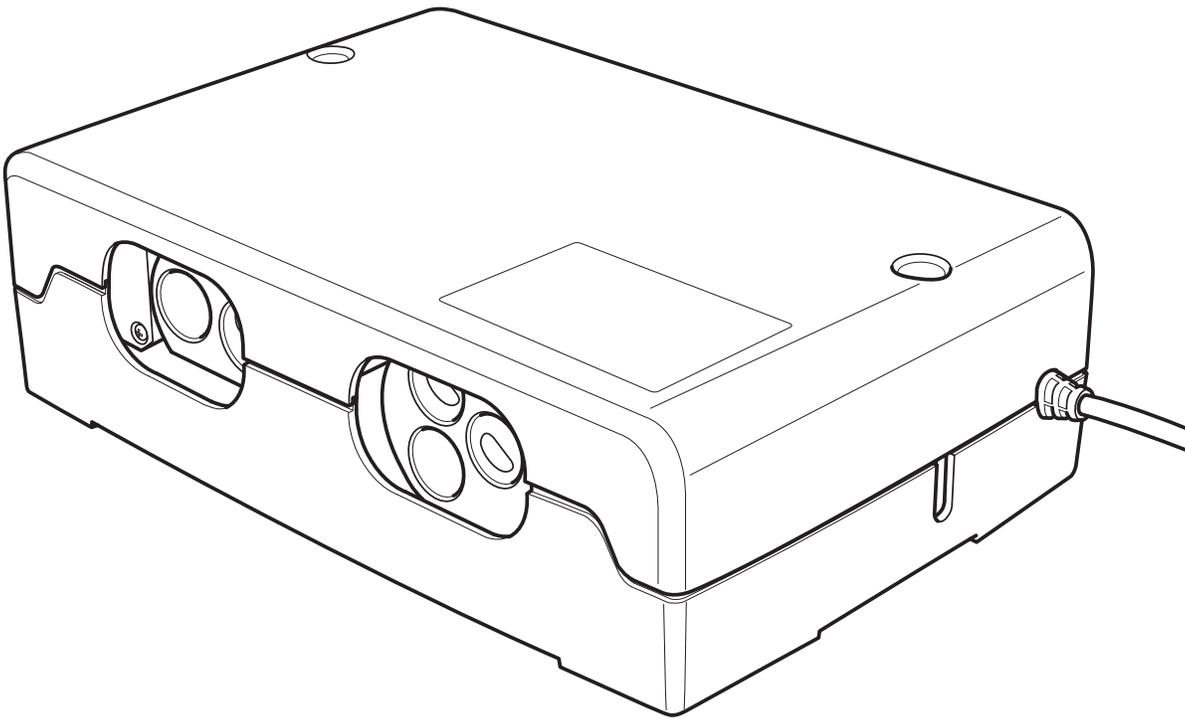


Digital Shower Valve



Installation Manual

TDS-3000

THERMASOL[®]

OVER 60 YEARS OF STEAM SHOWER INNOVATION

1 Important Information Before You Install

Make sure the walls, ceiling and floor materials are suitable for use with this product. Ensure electrical power is turned off for the duration of the installation.

IMPORTANT: The Digital Shower Valve must be accessible and should not be sealed in the wall

PLEASE REVIEW WARNINGS BELOW AND LEAVE THIS MANUAL WITH HOMEOWNER

BEFORE USING THE SHOWER, TEST THE WATER TEMPERATURE WITH YOUR HAND BEFORE FULLY ENTERING THE SHOWER.

DO NOT USE THERMASOL AROMATHERAPY OILS OR SKIN CARE PRODUCTS OR ANY PRODUCT ASSOCIATED WITH YOUR THERMASOL PRODUCT WITHOUT CONSULTING WITH YOUR ALLERGIIST OR DOCTOR BEFORE USE. THESE PRODUCTS MAY BE HAZARDOUS TO YOUR HEALTH.

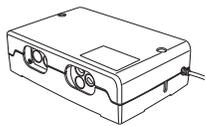
DO NOT USE THIS PRODUCT WHILE UNDER THE INFLUENCE OF ALCOHOL OR DRUGS, AS THIS CAN BE HAZARDOUS TO YOUR HEALTH.

All products must be installed in accordance with installation instructions provided. Failure to do so may invalidate warranty at manufacturer's discretion.

©2018 ThermaSol.

2 Tools and Materials

Parts enclosed with the Digital Shower:



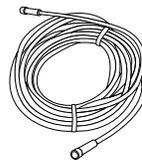
Digital Shower
10.9" x 6.93" x 2.95"



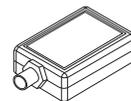
Set of screws,
2 x 5 x 50 mm



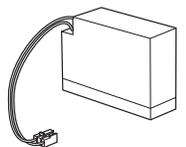
Set of connection nipples



50-foot CAN-bus cable



Digital Interface

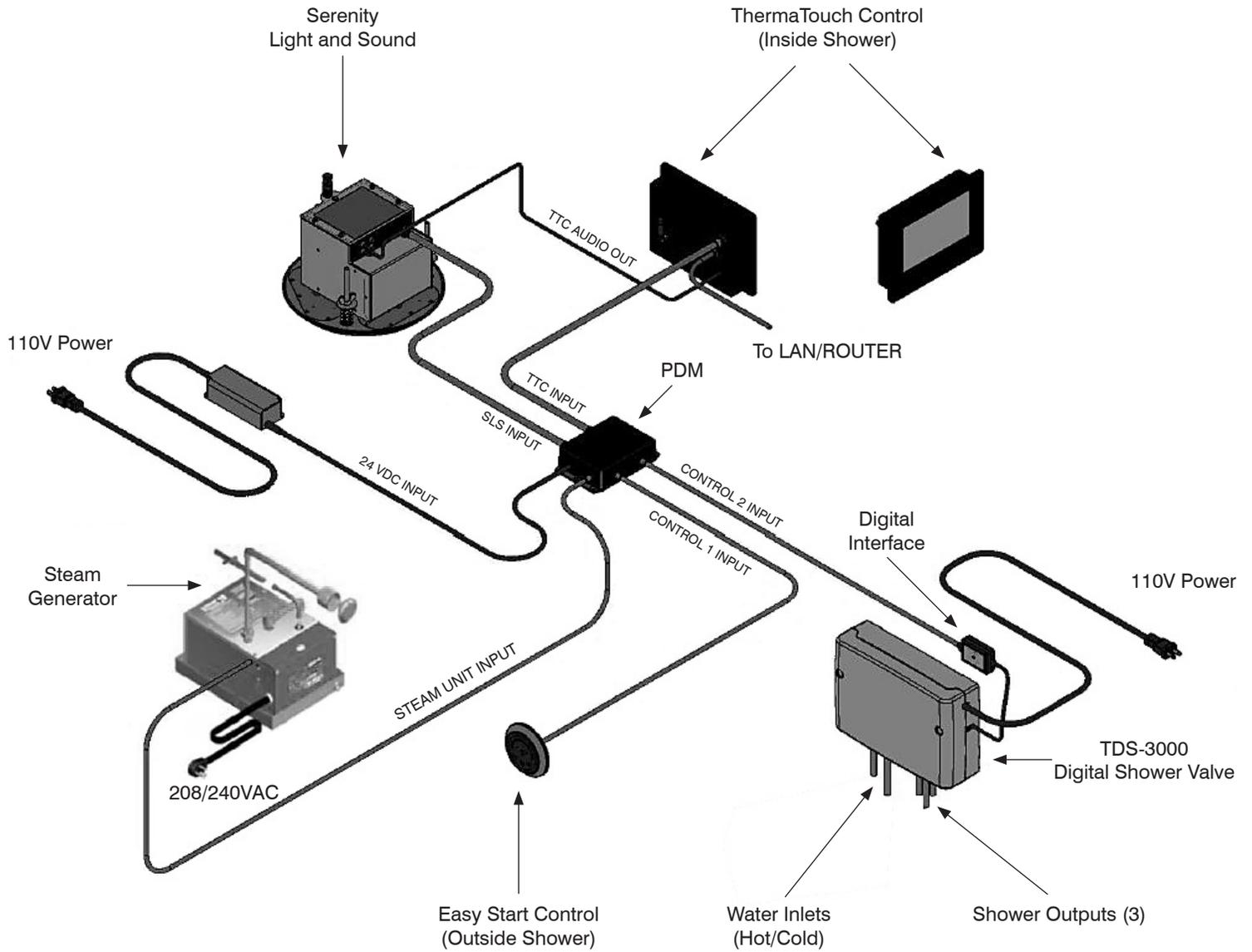


Back up battery

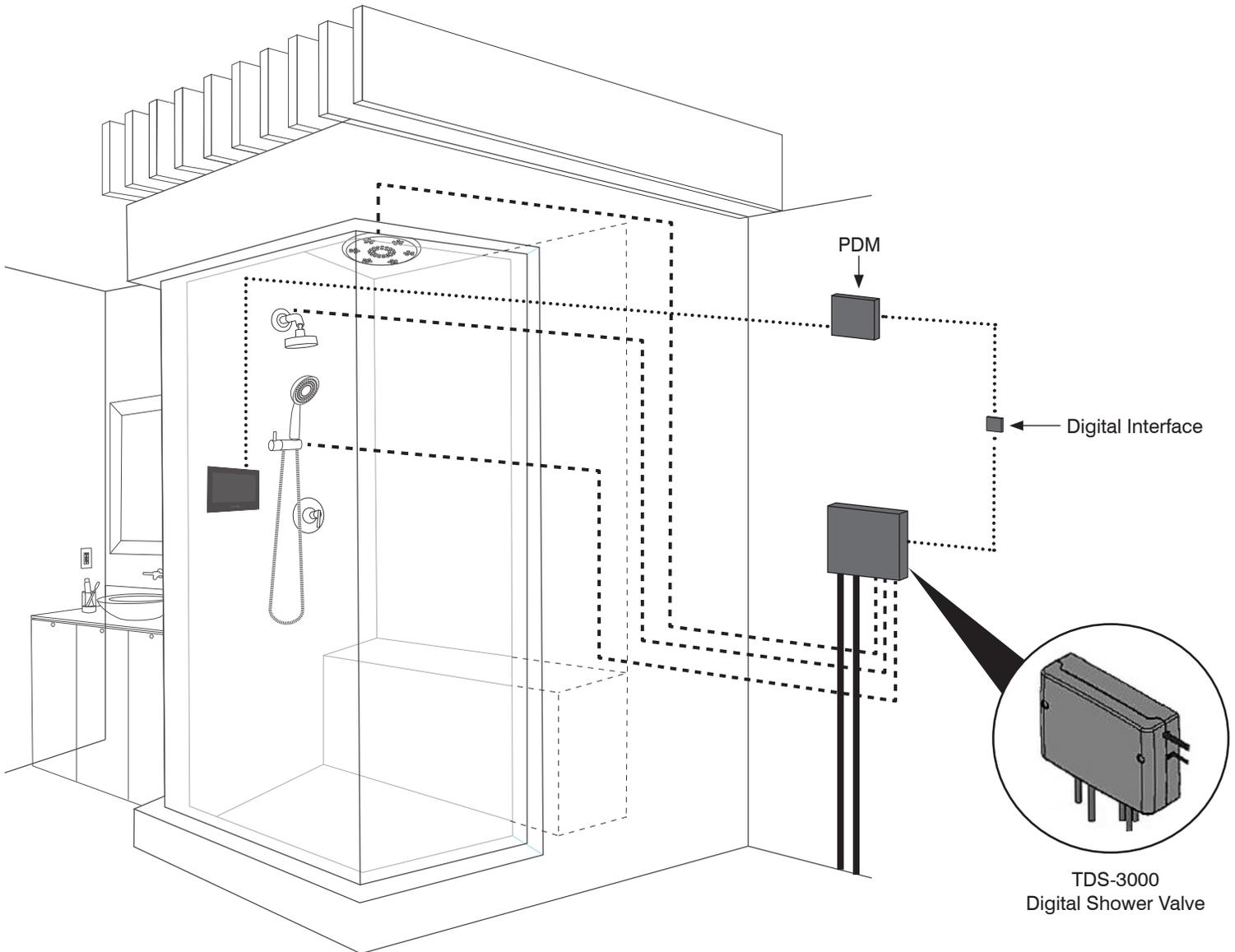
Tools needed:

- o Pencil
- o Drill bit 8 mm
- o Phillips head screwdriver
- o Adjustable wrench
- o Drill
- o Level

3 Typical System Layout

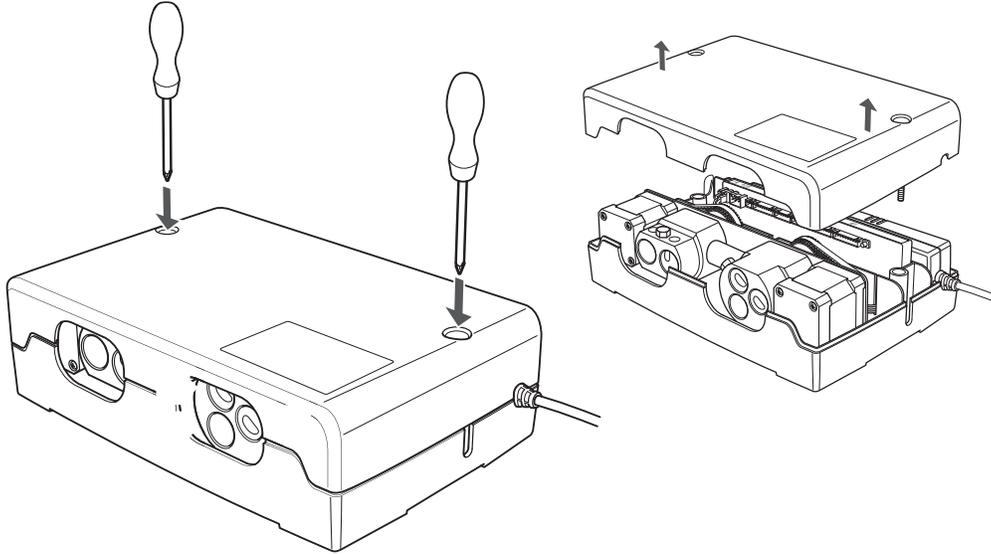


4 Scope of Application

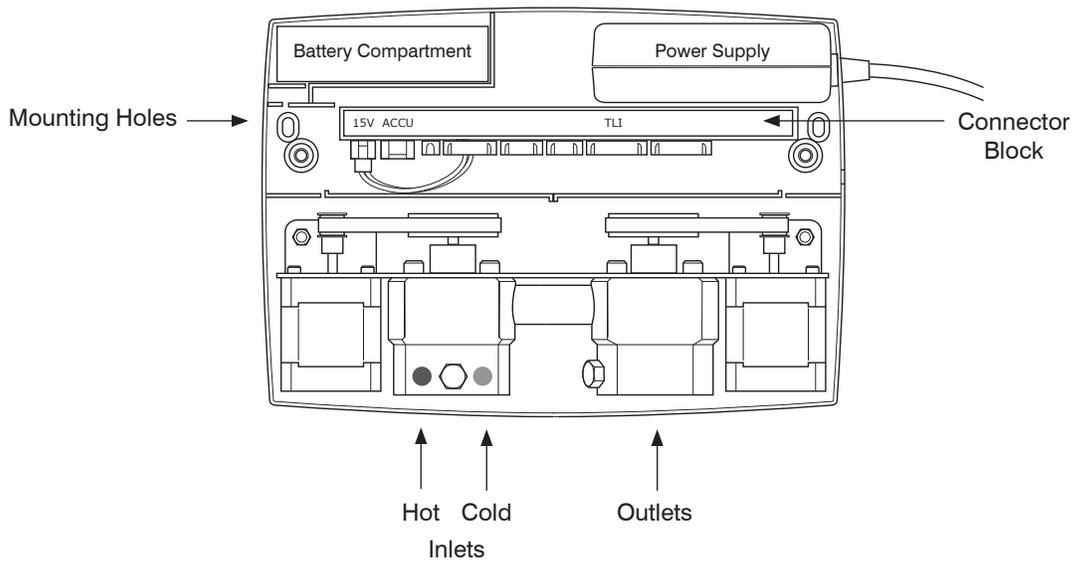


IMPORTANT: The Digital Shower Valve must be accessible and should not be sealed in the wall

5 Remove Cover



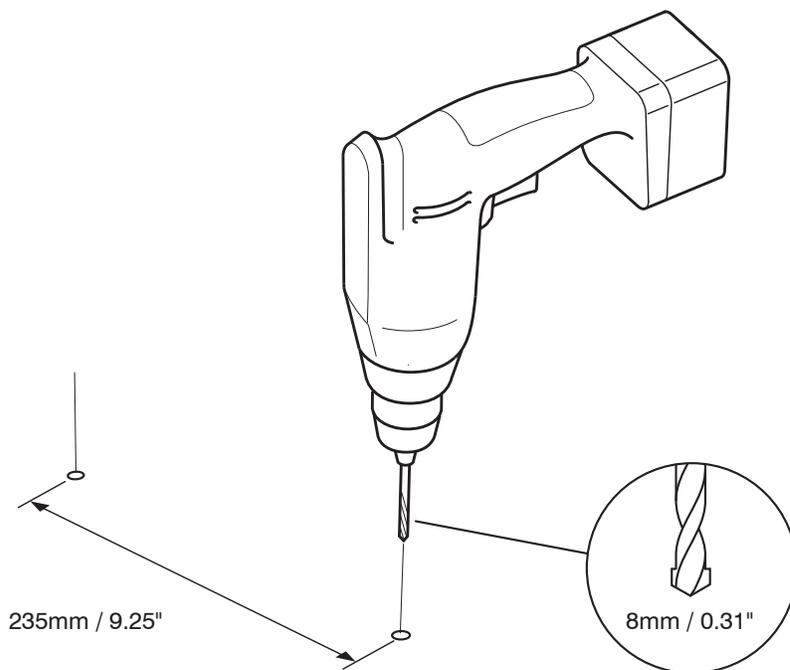
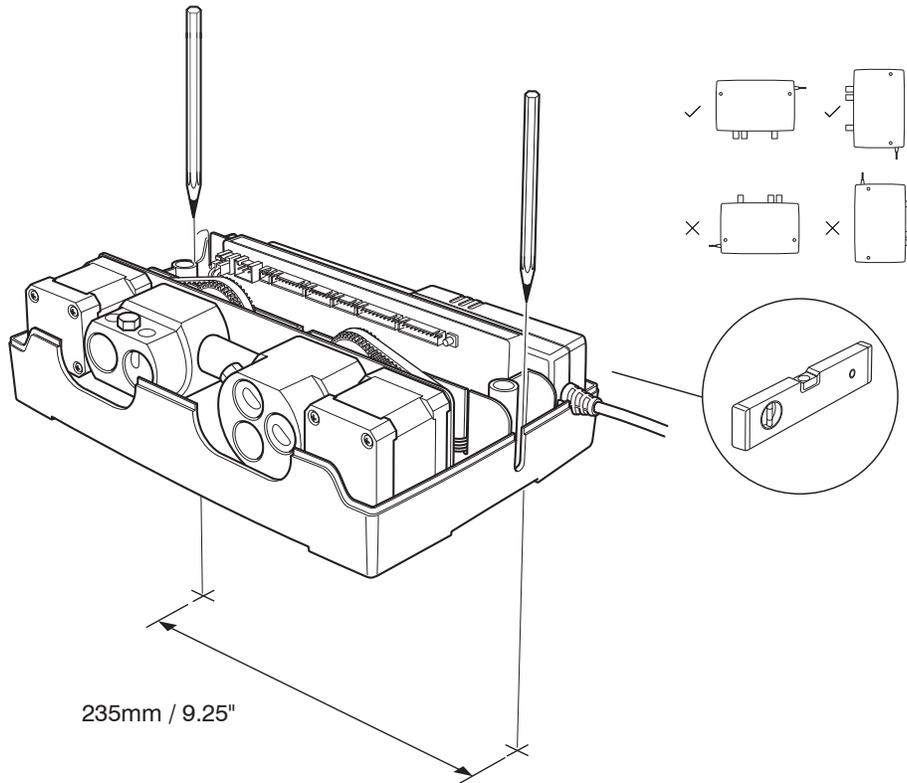
6 Inside Valve System Controller



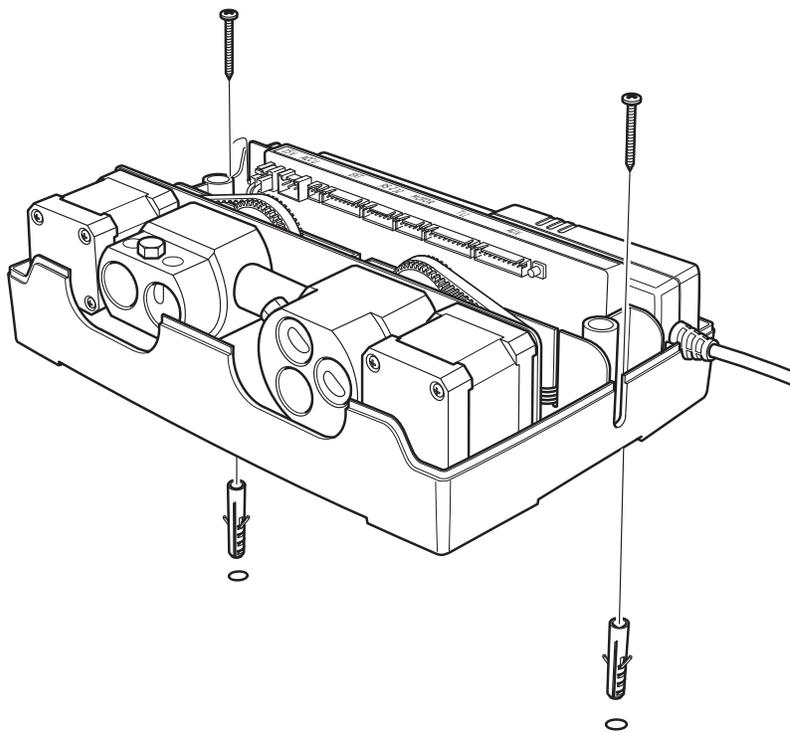
7 Mark and Drill Holes



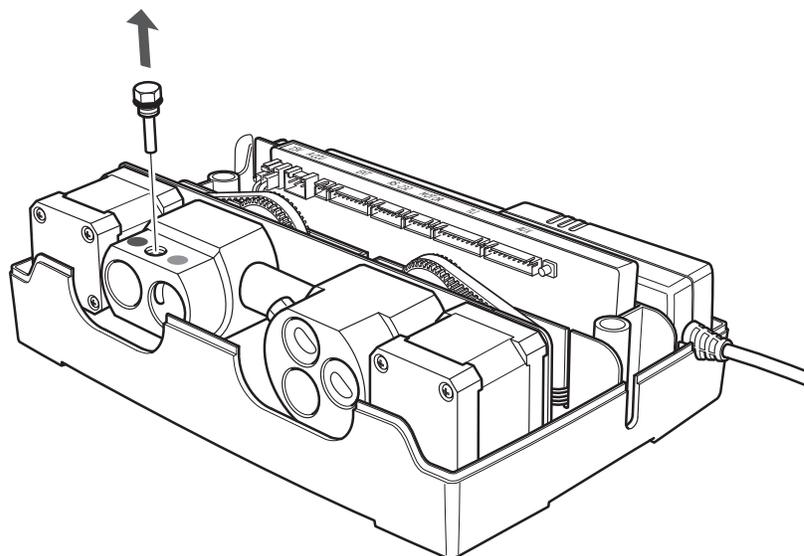
IMPORTANT: The Digital Shower Valve must be installed within 50' of the PDM module.



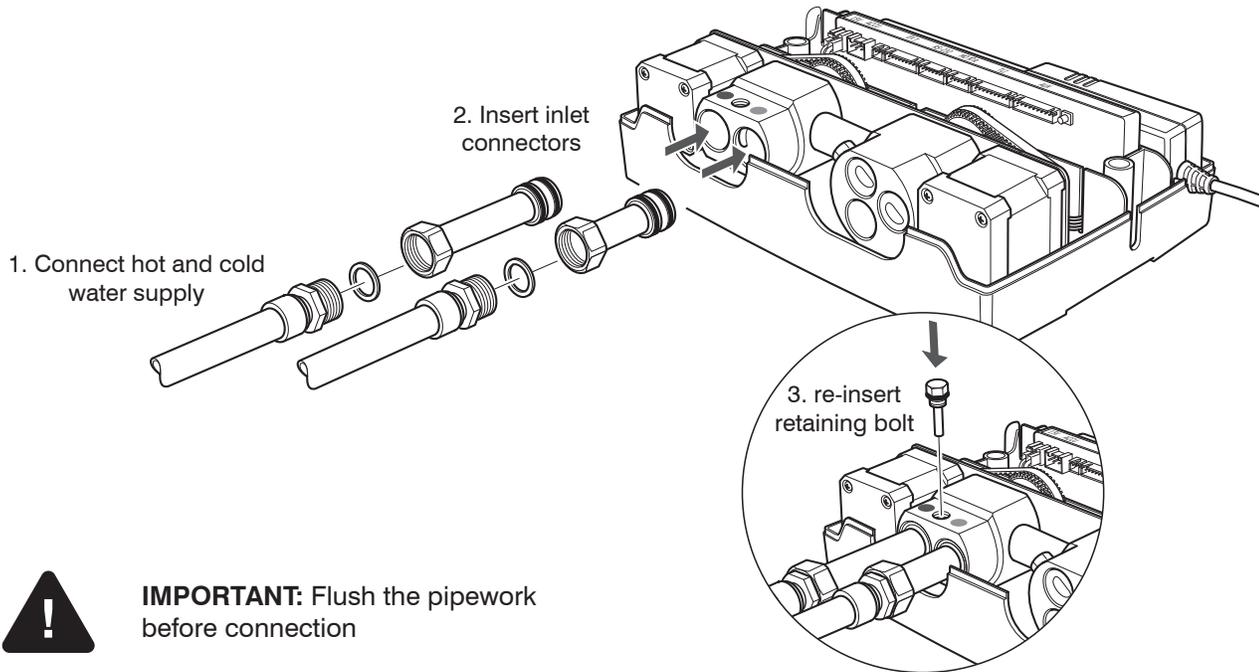
8 Install Valve System Controller



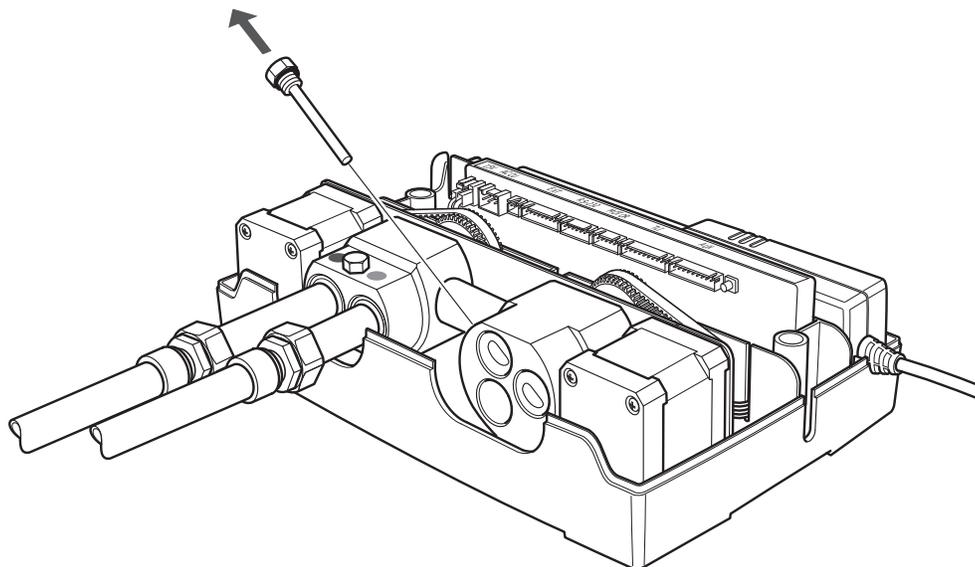
9 Remove Inlet Retaining Bolt



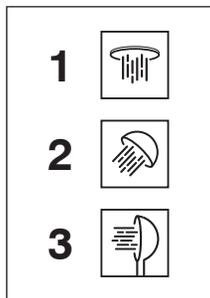
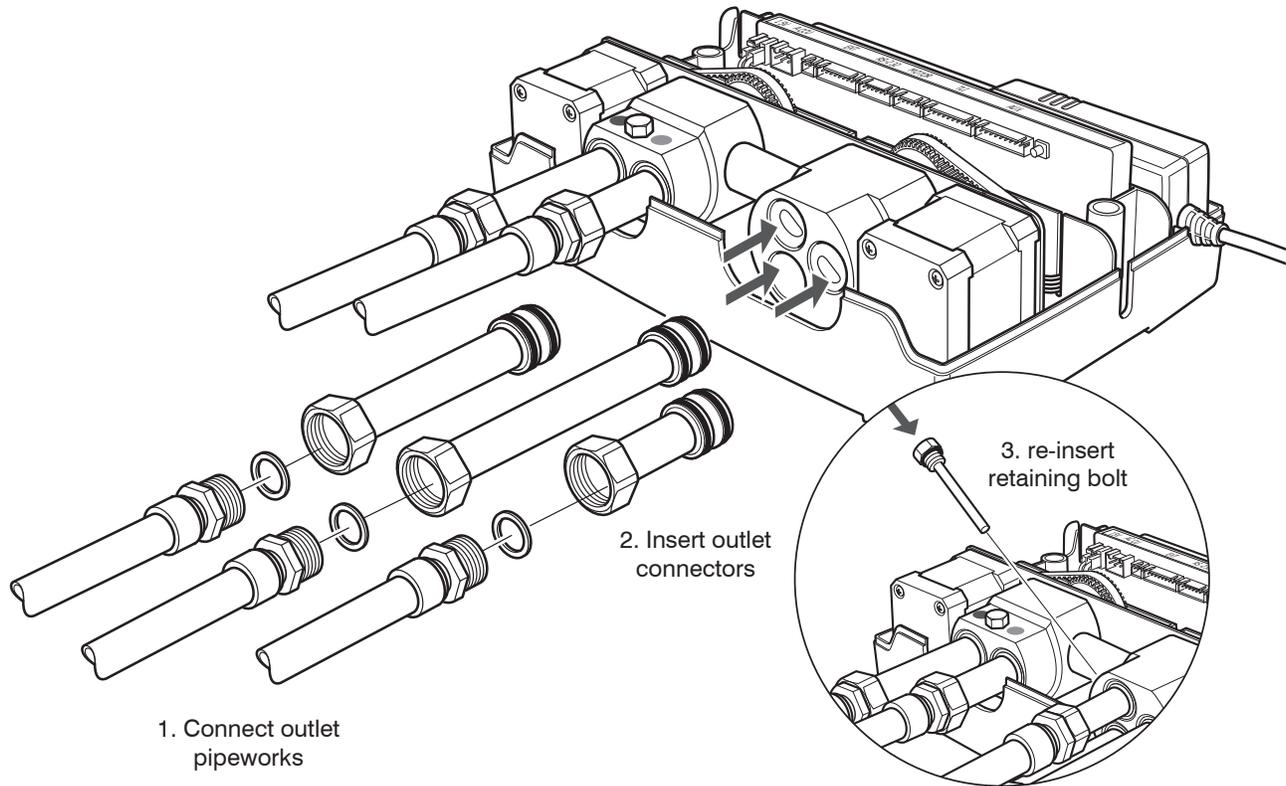
10 Connect Hot and Cold Water Supply



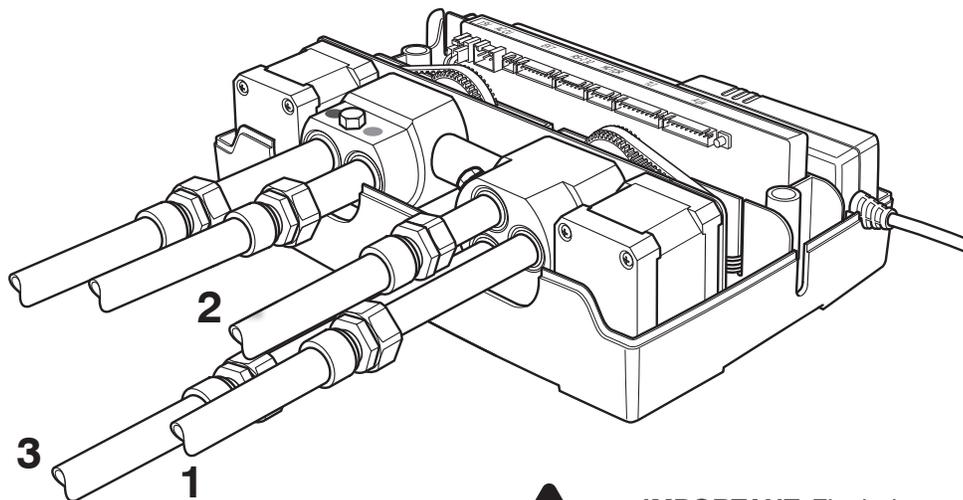
11 Remove Outlet Retaining Bolt



12 Connect Outlet Pipeworks

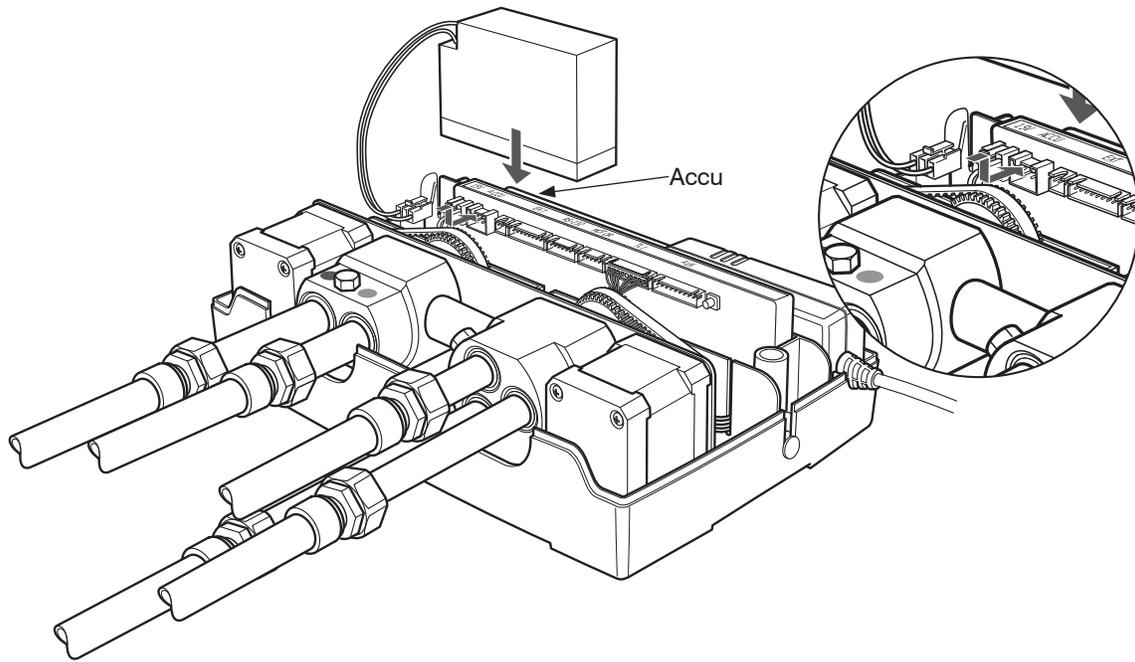


Outlet order is adjustable, refer to your controller instructions.

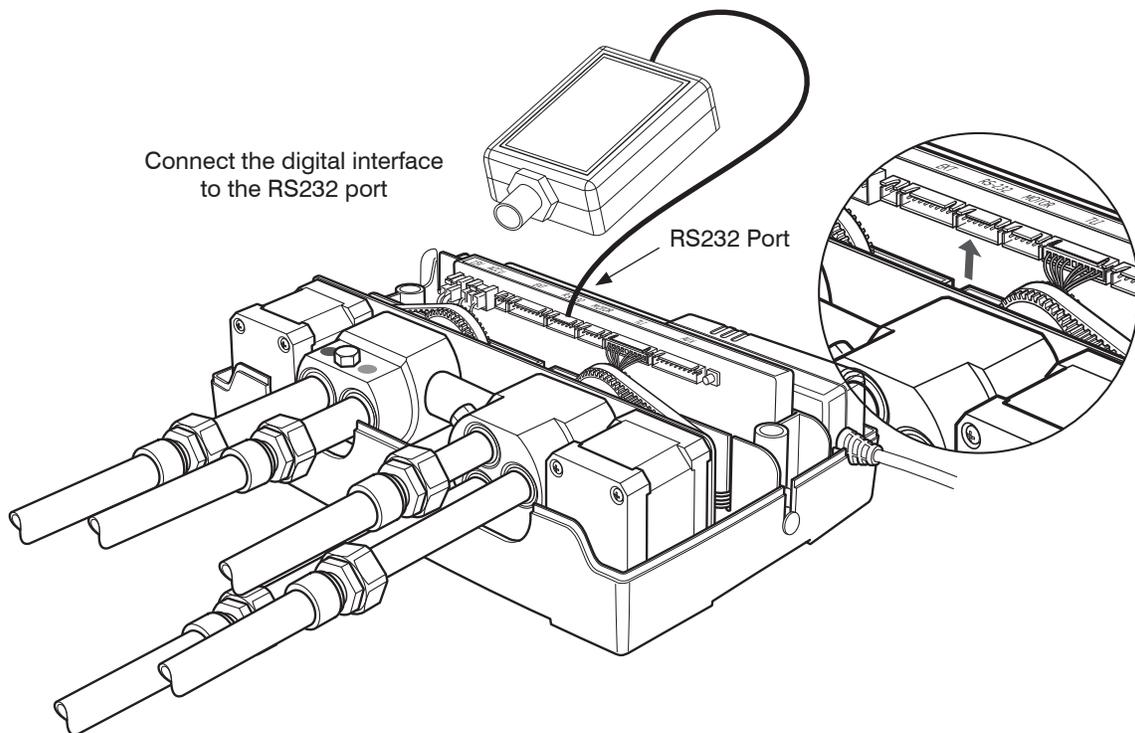


IMPORTANT: Flush the waterlines prior to connecting to clear any debris.

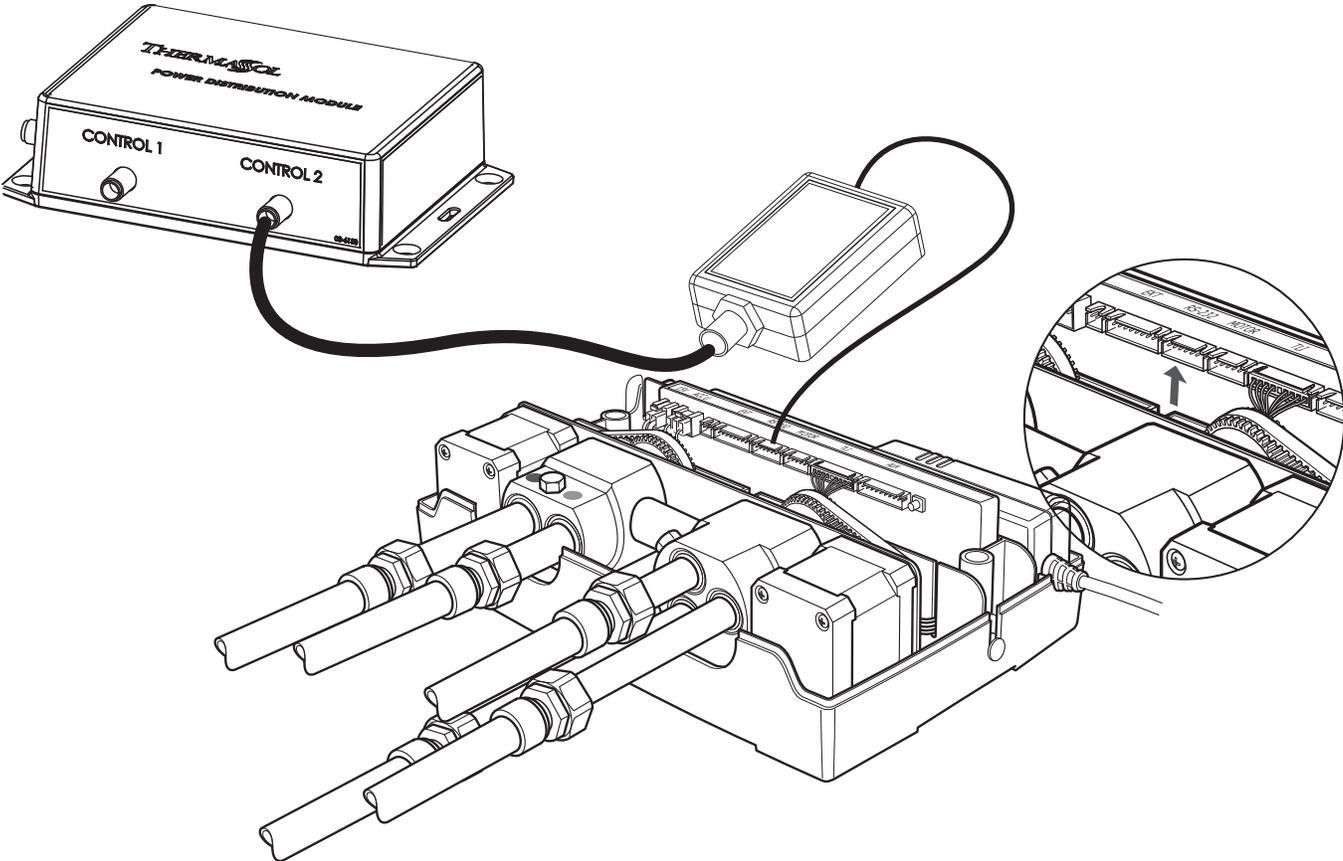
13 Connect Back Up Battery



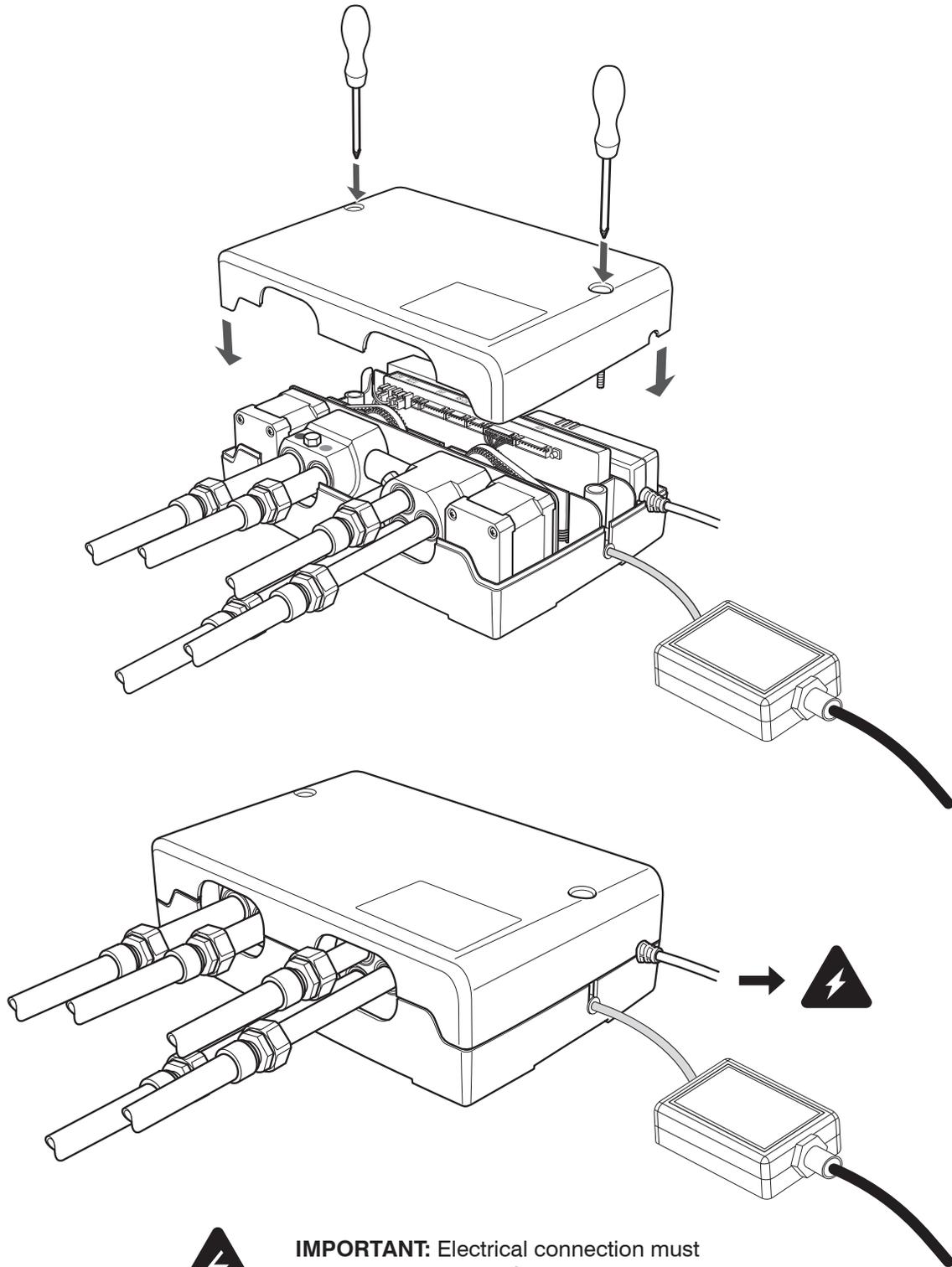
14 Connect The Digital Interface



15 Connect The PDM



16 Re-fit Cover and Connect



IMPORTANT: Electrical connection must be installed by a qualified electrician.

ThermaSol Product Registration

Dear ThermaSol End User:

Please register your product at www.thermasol.com/warranty so we can assist you much quicker if you ever need to contact our Technical Support Department.

In addition we'll keep you informed about your product and time to time we'll update you about new products and other company announcements.

Thank you from all of us at ThermaSol and we wish you many relaxing and steamy days ahead.

We will not sell, rent or share your personal information.



1958 Steam Way
Round Rock, TX 78665

Product Warranty

This warranty shall extend only to the original retail purchaser or end user of the product and are contingent on the proper use of the product in accordance with the instructions and specifications published by ThermaSol and shall not apply to any product that has been repaired or modified by persons other than approved by ThermaSol. Proof of purchase from Authorized Reseller will be required to start any warranty process except where prohibited by law. These warranties are not valid for any product that is sold with defaced or altered serial number, or for any product that was purchased used, refurbished, "as is", or in unknown condition.

All warranty claims must go through ThermaSol directly.

Limited Warranty

ThermaSol extends to the original purchaser a 1-year limited warranty to repair or replace (at its discretion) Digital Shower Valve parts found to have manufacturing defects.

Exclusions

These warranties will be terminated by ThermaSol for the following reasons:

1. Improper installation, such as installation that fails to observe National/Local Plumbing and/or Electrical codes.
2. Use of the system in a non-residential or commercial application, including a hotel.
3. Service to equipment by unauthorized personnel.
4. Installation that does not permit proper access for service.
5. Non-payment of repairs not covered under warranty.
6. Modification to any part of the unit.
7. Use of non-ThermaSol repair parts.
8. Alteration or removal of product serial number.

Limitations

These warranties will be terminated by ThermaSol for the following reasons:

1. ThermaSol will not be liable in any way for any indirect, special, incidental, exemplary, or consequential damages resulting from the sale, delivery, installation or use of its products. Users are responsible for suitability of the products for their application. Damage resulting from improper specification or application or other operating conditions beyond ThermaSol's control is not under warranty.
2. ThermaSol will not exercise reasonable efforts in rendering service under these warranties, but shall not be liable for any damage arising out of delays; these warranties only cover the repair and/or replacement of ThermaSol product as specified by the warranty.
3. ThermaSol does not guarantee that a local service person will be available for in-home services. Unit may have to be removed and reinstalled at owner's expense. It is the responsibility of the buyer to file a claim with the carrier/carriers for any product that has shipping damage to or from ThermaSol. An EVA (Evaluation Number) must be obtained from the factory and used on any correspondence or packages sent to the factory.
4. THESE WARRANTIES ARE NON-TRANSFERABLE TO ANY OTHER PURCHASER OR PARTY OTHER THAN THE ORIGINAL PURCHASER FROM AN AUTHORIZED DEALER. THESE WARRANTIES ARE NOT VALID FOR ANY PRODUCTS SOLD USED, REFURBISHED, "AS IS", OR IN UNKNOWN CONDITION. NO OTHER AGENT OR PARTY CAN GIVE ANY OTHER WARRANTY OR PROMISE. THESE ARE THE SOLE WARRANTIES FOR YOUR THERMASOL PRODUCT, EXCEPT AS PROVIDED BY LAW.

These warranties give you specific legal rights and you may also have other rights, which may vary, from state to state. Determination of rights under these warranties is in accordance with the laws of Texas. Any dispute under these warranties must be submitted and resolved by arbitration in Texas.

