

## AP Wall-Hung Toilet, 1.28 GPF & 0.9 GPF

### FEATURES

#### **AP Bowl**

- DYNAMAX TORNADO FLUSH® system, high efficiency (1.28 GPF/0.9 GPF)
- CEFIONTECT® ceramic glaze - prevents debris, mold from sticking to ceramic surfaces
- Universal Height
- Elongated front bowl

#### **DuoFit In-Wall Tank**

- Dual flushing system, high-efficiency (1.28 GPF/4.8 LPF & 0.9 GPF/3.4 LPF) Avg. flush 1.03 GPF
- Adjustable 15"-19" mounting height
- Saves up to 9" of floor space compared to standard floor-mounted toilet
- Supports up to 880lbs
- Commercial 2" x 6" or optional residential installation with 2" x 4" wall studs with waste outlet kit
- Copper supply line

#### **Push Plate**

- YT930  
Basic Round Push Plate  
#WH White Matte or #MS Matte Silver

### KIT COMPONENTS

- CT426CFG#01  
AP Wall-Hung Toilet
- WT172M  
In-Wall Tank System (Copper Pipe)
- YT930  
Basic Round Push Plate  
#WH White Matte or #MS Matte Silver

#### **Available Options**

- YT920#WH - White Matte Basic Square Push Plate
- YT920#MS - Matte Silver Basic Square Push Plate
- YT970#SS - Stainless Steel Wall Square Push Plate
- YT980#SS - Stainless Steel Wall Round Push Plate
- SS114 - SoftClose Seat

### COLORS/FINISHES

- Standard  
#01 Cotton



 **DYNAMAX  
TORNADO FLUSH**

 **SD Skirted Design**

 **CEFIONTECT**

### CODES/STANDARDS

- Meets or exceeds:
  - Bowl: ASME A112.19.2/CSA B45.1, ASME A112.19.14
  - Carrier System: ASME A112.6.2
  - Tank Trim: IAPMO PS50, CSA B125.3, ASSE1002
- Certifications: IAPMO (cUPC), EPA WaterSense State of Massachusetts, City of Los Angeles and others
- Legislative compliance: California AB715, California Green Building Code, City of Los Angeles Water Efficiency Ordinance
- Code Compliance: UPC, IPC, NSPC, NPC Canada, and others
- Complies with CA Prop 65 warning requirements



# CWT426CMFG

## AP Wall-Hung Toilet, 1.28 GPF & 0.9 GPF

### PRODUCT SPECIFICATIONS

	CT426CFG	WT172M
<b>Water Use</b>	1.28 GPF & 0.9 GPF (4.8 LPF & 3.4 LPF)	1.28 GPF & 0.9 GPF (4.8 LPF & 3.4 LPF)
<b>Flush System</b>	DYNAMAX TORNADO FLUSH®	Dual flushing
<b>Min. Water Pressure</b>	8 psi (static)	8 psi (static)
<b>Max. Water Pressure</b>	108.75 psi (static)	108.75 psi (static)
<b>Water Surface</b>	5-1/2" X 4-1/8"	
<b>Trap Diameter</b>	2-1/8"	
<b>Installation Height</b>	15" to 19"	15" to 19"
<b>Trap Seal</b>	2-1/8"	
<b>Warranty</b>	One Year Limited Warranty	One Year Limited Warranty
<b>Material</b>	Vitreous China	Various
<b>Shipping Weight</b>	68 lbs	38 lbs
<b>Shipping Dimensions</b>	22" L x 14.6" W x 16.5 H	48" L x 26-1/2" W x 6" H

#### CT426CFG

This universal height, high efficiency DYNAMAX TORNADO flushing system toilet shall be 1.28 GPF & 0.9 GPF. Toilet shall have CEFIONTECT® ceramic glaze. Toilet shall be mounted to in-wall tank system, elongated front bowl and wall-mounted push-button type trip lever. Toilet shall be TOTO Model CT426CFG#01.

#### YT930

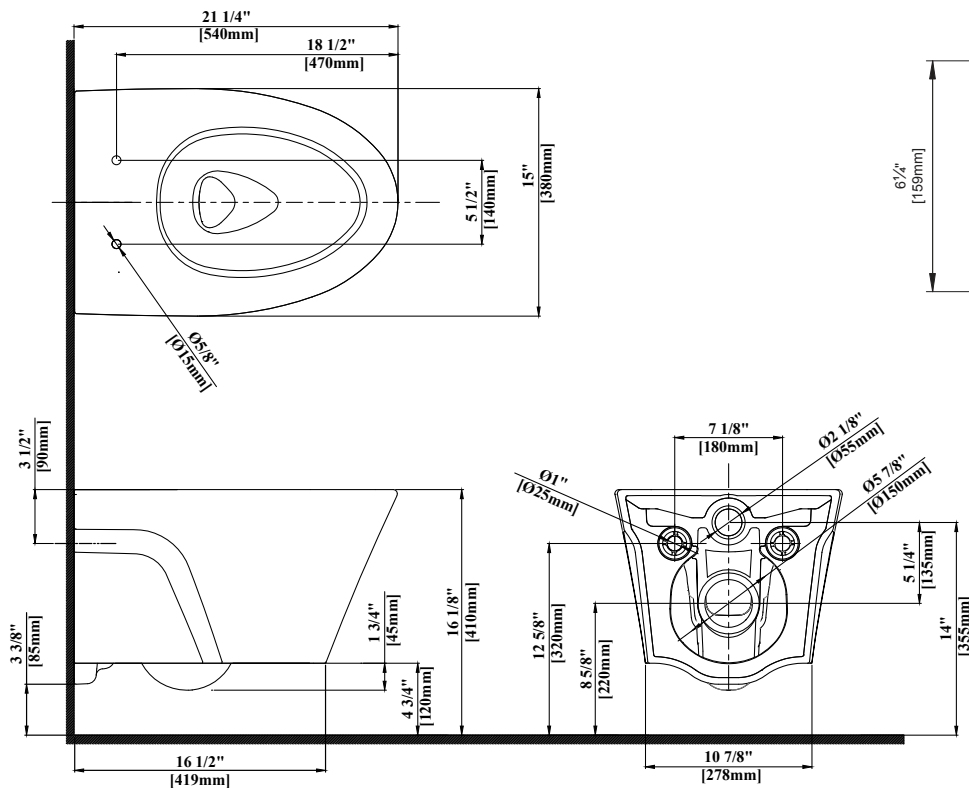
Dual Button Push Plate

#### WT172M

This universal height, high-efficiency, dual flushing, in-wall tank system toilet shall be 1.28 GPF & 0.9 GPF. Requires TOTO toilet model CT426CFG. In-Wall tank system shall be TOTO Model WT172M.

### PRODUCT DIMENSIONS

#### CT426CFG



#### YT930

