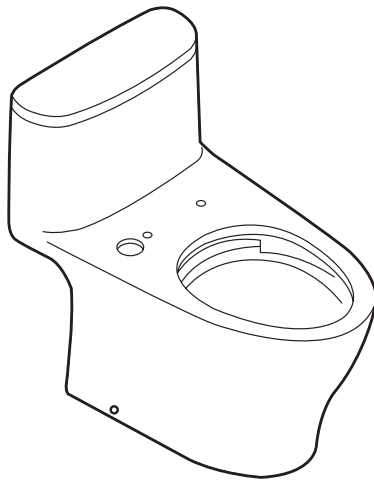


MS642
CST642



Warranty Registration and Inquiry

For product warranty registration, TOTO U.S.A. Inc. recommends online warranty registration. Please visit our web site <http://www.totousa.com>. If you have questions regarding warranty policy or coverage, please contact TOTO U.S.A. Inc., Customer Service Department, 1155 Southern Road, Morrow, GA 30260 (888) 295-8134 or (678) 466-1300 when calling from outside of U.S.A.

TABLE OF CONTENTS

Thanks for Choosing TOTO®!	2	Maintenance Instructions.....	5
Common Tools Needed.....	2	CEFIONTECT® Cleaning Instructions	6
Before Installation.....	2	Servicing Fill Valve	7
Included Parts	3	Warranty	8
Care and Cleaning.....	3	Rough-In Dimensions	23
Installation Procedure	4		

THANKS FOR CHOOSING TOTO!

The mission of TOTO is to provide the world with healthy, hygienic and more comfortable lifestyles. We design every product with the balance of form and function as a guiding principle. Congratulations on your choice.

COMMON TOOLS NEEDED

- | | |
|--|--|
| <ul style="list-style-type: none"> • 12" pipe wrench • 10" adjustable wrench • Carpenter's Level • Tape Measure • Plier | <ul style="list-style-type: none"> • Screwdriver • Putty Knife • Drill • 1¹/₆₄" drill bit for wood floor installation • 5¹/₁₆" drill bit for concrete/tile installation |
|--|--|

MATERIALS REQUIRED:

- | | |
|---|--|
| <ul style="list-style-type: none"> • Flexible Supply Tube / Connector • Supply Stop Valve | <ul style="list-style-type: none"> • Mounting (T) Bolts & Nuts (2pc) • Wax Ring / Seal |
|---|--|

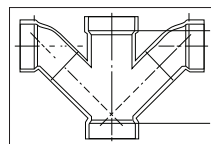
BEFORE INSTALLATION

- Read instruction manual before installation.
- Maintenance and warranty information included in manual, DO NOT DISCARD.
- Locate water supply and drain pipe.

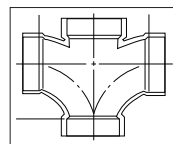
IMPORTANT!

For back-to-back installations, Tornado flushing systems require a WYE fitting incorporated into the toilet drain system. Please contact your builer/contractor for additional information prior to installation.

- Verify enough space is available for installation and unobstructed operation of equipment (doors opening/closing, etc...). Failure to do this beforehand may result in incorrect product installation and possible malfunction.
- Thoroughly flush the supply pipes of dirt and debris. Proceed to install the supply hose to the tank and make sure you do not damage the end connection of the hose.
- After installation, verify water and electricity are working properly.
- Gaps between the discharge pipe and the floor should be filled with mold-resistant silicone-based seal material (Mediseal).
- Minimum required water pressure (flowing): 7 PSI at 2.64 Gal/min (0.05 MPa at 10 L/min). Maximum water pressure (static): 108 PSI (0.75 MPa).



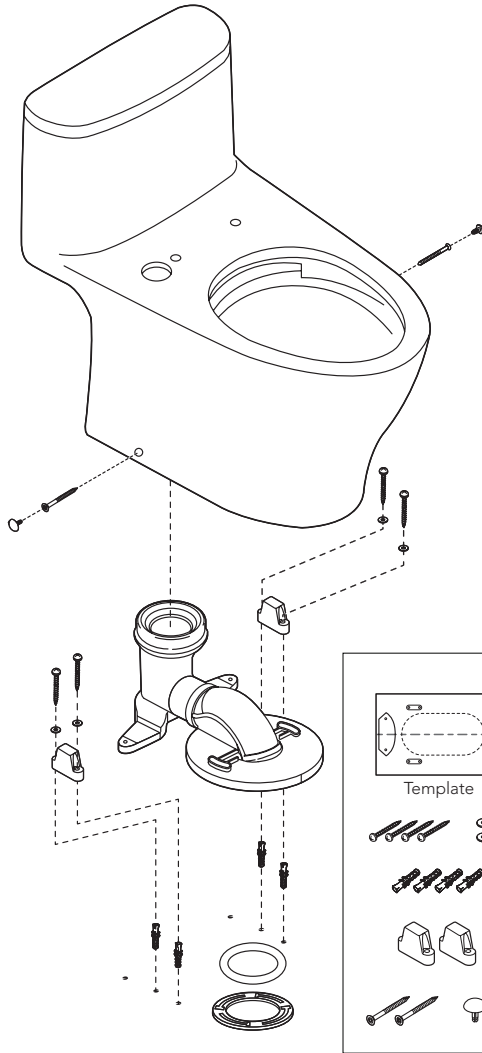
Double Combination WYE / 1/8 Bend
YES



Double Sanitary Tee / Sanitary Cross
NO

INCLUDED PARTS AND DIAGRAM

Please verify that all of the parts are included in the package:



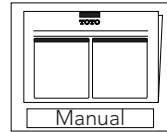
Box 1



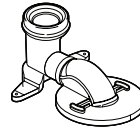
China Bowl with Lid



Toilet Seat
(included depending on model)



Box 2



PVC outlet Connection



Mounting Screw with Washer
(2 pieces)



Anchor
(2 pieces)



Rough-In Instructions

CARE AND CLEANING

WARNING!

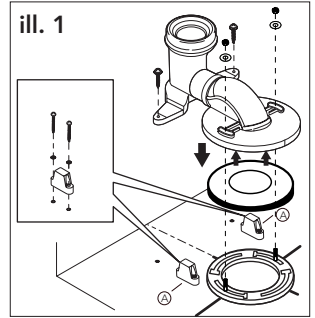
DO NOT USE IN-TANK BOWL CLEANERS.

The use of high concentration of chlorine or chlorine-related products can seriously damage fittings in the tank. This damage can cause leakage and property damage. TOTO® shall not be responsible or liable for any tank fitting failure or damage caused by the use of in-tank bowl cleaners.

INSTALLATION PROCEDURE

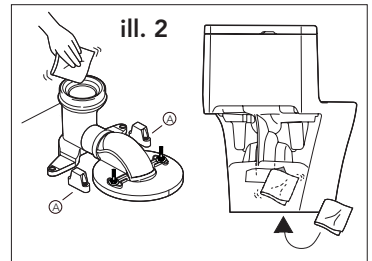
ENGLISH

1. Open the Unifit Rough-In packaging. Follow the Unifit Rough-In Installation instruction.
2. Place the template into position and follow its instructions to prepare for installing the toilet bowl.



NOTICE

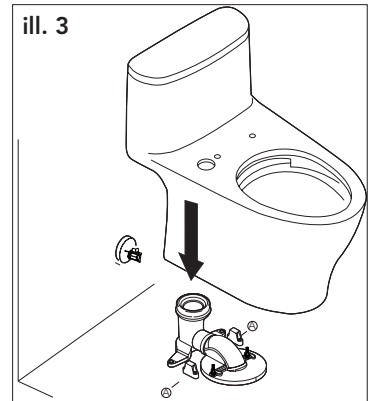
Do not move the Unifit Rough-In on the Floor Flange after wax seal is set. If this notice is disregarded, discard the wax ring and replace with new wax ring.



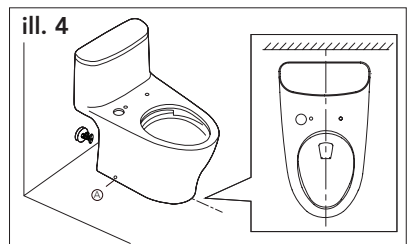
3. Place the toilet bowl over the Unifit Rough-In and align the holes on the side of the toilet to the lines marked "A" on the floor.

NOTICE

Insert the toilet all the way into position. If this notice is disregarded, leakage may result.

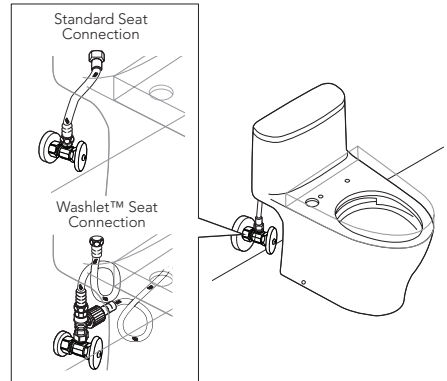
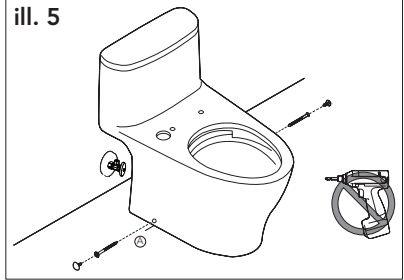


4. Align the toilet perpendicular to the back wall and parallel to side walls; it should not sit crooked or diagonal (ill. 4).

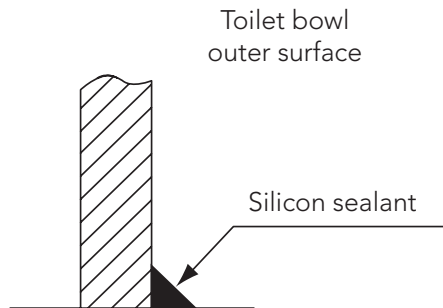


INSTALLATION PROCEDURE

5. Make sure it's aligned before securing.
6. Install the side screws to the mounting blocks. Cover the screw head with the provided screw caps (ill. 5).
7. When installing the washlet main unit or standard toilet seat main unit, follow the instructions on the Installation Guide.
8. Once the installation is completed, proceed to verify the toilet unit for leaks.



Toilet bowl
inner surface



Toilet bowl
outer surface

Silicon sealant

MAINTENANCE INSTRUCTIONS

Fill Valve Replacement Procedure

1. Shut off the water supply to the toilet.
2. Flush toilet and remove remaining water from tank with a sponge.
3. Remove the water supply connection at the fill valve.
4. Remove old fill valve and use damp sponge to clean inside tank.
5. Place new fill valve inside tank, thread mounting nut onto the shank and tighten nut.

NOTE: Be sure to install fill valve in a position that does not interfere with the trip lever operation.

MAINTENANCE INSTRUCTIONS

Fill Valve Replacement Procedure (continued)

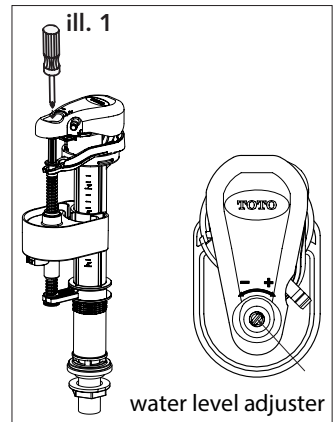
6. Connect water supply to fill valve shank and hand-tighten only.
7. Attach refill tube to fill valve nipple clip other end to the overflow pipe.
8. Turn water supply ON and check for leaks outside the tank.

NOTE: Do not overtighten. These are plastic parts. Never use pipe dope on any water supply connection. As water fills the tank, water is also directed into the overflow tube via the refill tube. This additional flow of water is critical to refilling your toilet's bowl. Once the water stops filling the tank, some residual drops may drip from the fill valve. This is NORMAL as these drops will subside.

ADJUSTING THE WATER LEVEL

Refer to the water level line stamp inside the tank.

1. The water level adjustment is located in the top end of the fill valve. Use a flathead screwdriver to make adjustments:
 - To raise the water level: turn the screwdriver clockwise, or towards the '+' indicator.
 - To lower the water level: turn the screwdriver counter-clockwise, or towards the '-' indicator.
2. Flush after each adjustment to check the water level. When satisfied with the water level, flush once more to verify.



CEFIONTECT® CLEANING INSTRUCTIONS



WHAT IS CEFIONTECT®?

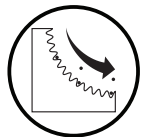
CEFIONTECT® is TOTO's super-smooth permanent glaze that prevents debris from sticking to surfaces. Products with the letter "G" in the number have the CEFIONTECT® glaze. This glaze, along with regular cleaning, will help keep your TOTO product in pristine condition.

NOTE:

For best results to keep your TOTO product with CEFIONTECT® clean:

- Lavatory: Use a mild dish detergent with a clean, soft cloth.
- Toilet: Use a gel based cleaner with a soft bristled-plastic brush.
- **Don't use** cleaners, polishing powders or detergents that have gritty or coarse particles.
- **Don't use** bleach, chemical thinners or products that have acid or alkaline detergents listed as ingredients.
- **Don't use** metal scrub brushes or steel wool.

Following these instructions will ensure that your TOTO product with the CEFIONTECT® glaze will always stay intact, keeping your product like new for years to come!



No CEFIONTECT®



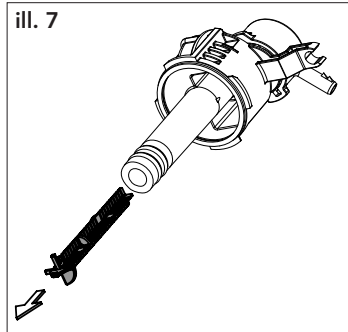
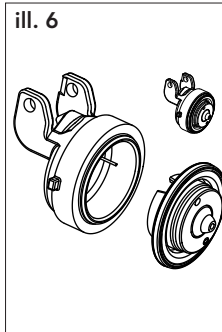
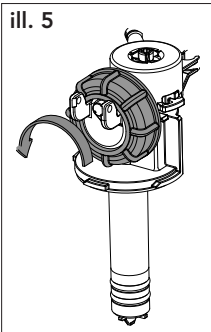
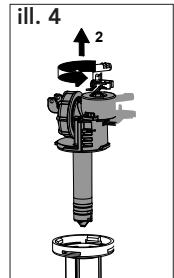
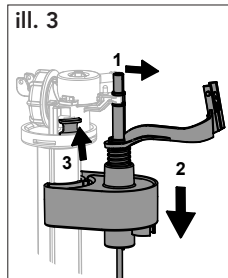
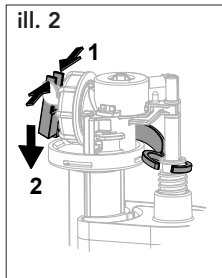
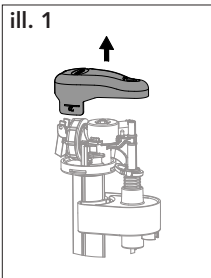
With CEFIONTECT®



SERVICING THE FILL VALVE

NOTE: Due to water conditions in your area, the strainer may require periodic cleaning. An indication that the strainer requires service can be seen in a delayed fill cycle, intermittent fill cycle, or inadequate amount of water flow from the refill tube.

1. Snap off the top cover by pulling from under the tab (see ill. 1).
2. Pinch the tabs of the lever arm to allow its removal (see ill. 2).
3. Snap off the adjustable rod from the bracket **(1)** allowing the unit to slide to the bottom and remove the retainer tab by pulling as the arrow indicates **(3)** (see ill. 3).
4. Grab hold of the valve unit, twist 1/4 turn counterclockwise and pull the unit out (see ill. 4).
5. Unscrew nut of the diaphragm housing (see ill. 5).
6. Remove the diaphragm from its housing by carefully pulling the edge of the diaphragm (see ill. 6). Note the position of the diaphragm while removing.
7. Remove the strainer from the tube with needle nose pliers (see ill. 7). Use twisting motion while pulling to help with removal.
8. Rinse all parts under running water to clear any debris, residues or films. Reinstall all parts in reverse order. Turn the water ON and check for leaks and operation.



WARRANTY

1. TOTO warrants its vitreous china products ("Product") to be free from defects in materials and workmanship during normal use when properly installed and serviced, for a period of one (1) year from date of purchase. This limited warranty is extended only to the ORIGINAL PURCHASER of the Product and is not transferable to any third party, including but not limited to any subsequent purchaser or owner of the Product. This warranty applies only to TOTO Product purchased and installed in North, Central and South America.
2. TOTO's obligations under this warranty are limited to repair, replacement or other appropriate adjustment, at TOTO's option, of the Product or parts found to be defective in normal use, provided that such Product was properly installed, used and serviced in accordance with instructions. TOTO reserves the right to make such inspections as may be necessary in order to determine the cause of the defect. TOTO will not charge for labor or parts in connection with warranty repairs or replacements. TOTO is not responsible for the cost of removal, return and/or reinstallation of the Product.
3. This warranty does not apply to the following items:
 - a. Damage or loss sustained in a natural calamity such as fire, earthquake, flood, thunder, electrical storm, etc.
 - b. Damage or loss resulting from any accident, unreasonable use, misuse, abuse, negligence, or improper care, cleaning, or maintenance of the Product.
 - c. Damage or loss resulting from sediments or foreign matter contained in a water system.
 - d. Damage or loss resulting from improper installation or from installation of the Product in a harsh and/or hazardous environment, or improper removal, repair or modification of the Product. (NOTE: Product model codes allow a maximum of 80 PSI. Check local codes or standards for requirements).
 - e. Damage or loss resulting from electrical surges or lightning strikes or other acts which are not the fault of TOTO or which the Product is not specified to tolerate.
 - f. Damage or loss resulting from normal and customary wear and tear, such as gloss reduction, scratching or fading over time due to use, cleaning practices or water or atmospheric conditions.
 - g. Tank flushing mechanisms of plastic or rubber moving parts.
 - h. Toilet seats of plastic, wood or metal.
4. In order for this limited warranty to be valid, proof of purchase is required. TOTO encourages warranty registration upon purchase to create a record of Product ownership at <http://www.totousa.com>. Product registration is completely voluntary and failure to register will not diminish your limited warranty rights.
5. THIS WARRANTY GIVES YOU SPECIFIC LEGAL RIGHTS. YOU MAY HAVE OTHER RIGHTS WHICH VARY FROM STATE TO STATE, PROVINCE TO PROVINCE OR COUNTRY TO COUNTRY.
6. To obtain warranty repair service under this warranty, you must take the Product or deliver it prepaid to a TOTO service facility together with proof of purchase (original sales receipt) and a letter stating the problem, or contact a TOTO distributor or products service contractor, or write directly to TOTO U.S.A., INC., 1155 Southern Road, Morrow, GA 30260 (678) 466-1300 or (888) 295-8134, if outside the U.S.A. If, because of the size of the Product or nature of the defect, the Product cannot be returned to TOTO, receipt by TOTO of written notice of the defect together with proof of purchase (original sales receipt) shall constitute delivery. In such case, TOTO may choose to repair the Product at the purchaser's location or pay to transport the Product to a service facility.

THIS WRITTEN WARRANTY IS THE ONLY WARRANTY MADE BY TOTO. REPAIR, REPLACEMENT OR OTHER APPROPRIATE ADJUSTMENT AS PROVIDED UNDER THIS WARRANTY SHALL BE THE EXCLUSIVE REMEDY AVAILABLE TO THE ORIGINAL PURCHASER. TOTO SHALL NOT BE RESPONSIBLE FOR LOSS OF THE PRODUCT OR FOR OTHER INCIDENTAL, SPECIAL OR CONSEQUENTIAL DAMAGES OR EXPENSES INCURRED BY THE ORIGINAL PURCHASER, OR FOR LABOR OR OTHER COSTS DUE TO INSTALLATION OR REMOVAL, OR COSTS OF REPAIRS BY OTHERS, OR FOR ANY OTHER EXPENSE NOT SPECIFICALLY STATED ABOVE. IN NO EVENT WILL TOTO'S RESPONSIBILITY EXCEED THE PURCHASE PRICE OF THE PRODUCT. EXCEPT TO THE EXTENT PROHIBITED BY APPLICABLE LAW, ANY IMPLIED WARRANTIES, INCLUDING THAT OF MERCHANTABILITY OR FITNESS FOR USE OR FOR A PARTICULAR PURPOSE, ARE EXPRESSLY DISCLAIMED. SOME STATES DO NOT ALLOW LIMITATIONS ON HOW LONG AN IMPLIED WARRANTY LASTS, OR THE EXCLUSION OR LIMITATION OF INCIDENTAL OR CONSEQUENTIAL DAMAGES, SO THE ABOVE LIMITATION AND EXCLUSION MAY NOT APPLY TO YOU.

WARNING! TOTO shall not be responsible or liable for any failure of, or damage to, this Product caused by either chloramines in the treatment of public water supply or cleaners containing chlorine (calcium hypochlorite). NOTE: The use of a high concentrate chlorine or chlorine related products can seriously damage the fittings. This damage can cause leakage and serious property damage. For information, please call TOTO at (888) 295-8134.

ÍNDICE

¡Gracias por elegir TOTO!.....	9	Reemplazo de Piezas	12
Herramientas comunes necesarias	9	Instrucciones de Limpieza CEFIONTECT®	13
Antes de la instalación	9	Mantenimiento Valvula de Llenado	14
Partes incluidas	10	Garantía	15
Cuidado y limpieza	10	Bosquejo	23
Procedimiento de instalación	11		

¡GRACIAS POR ELEGIR TOTO!

La misión de TOTO es brindarle al mundo estilos de vida sanos, higiénicos y más cómodos. Diseñamos cada producto con el balance de forma y función como un principio rector. Felicidades por su elección.

HERRAMIENTAS COMUNES NECESARIAS

- 12" llave de tubo
- 10" llave ajustable
- Nivel de carpintero
- Cinta métrica
- Alicata
- 11/64" broca para instalación en piso de madera
- 5/16" broca para instalación de concreto/azulejo
- Destornillador
- Espátula
- Taladro

MATERIALES NECESARIOS:

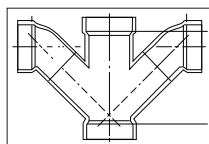
- Tubo / conector de suministro flexible
- Válvula de retención de suministro
- Pernos (T) de montaje & tuercas (2pc)
- Anillo de cera / sello

ANTES DE LA INSTALACIÓN

- Lea el manual de instrucciones antes de la instalación.
- En el manual se incluye información sobre el mantenimiento y la garantía; NO LO DESECHE.
- Localice el suministro de agua y la tubería de desagüe.

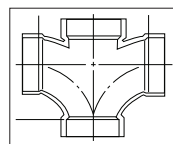
¡IMPORTANTE! Para instalaciones consecutivas, los sistemas de descarga Tornado requieren la incorporación de un accesorio WYE en el sistema de desagüe del inodoro. Contáctese con su constructor/contratista para obtener información adicional antes de la instalación.

- Verifique que haya espacio suficiente para la instalación y para la libre operación del equipo (apertura/cierre de puertas, etc.). El no hacerlo de antemano podría dar lugar a una incorrecta instalación del producto y un posible mal funcionamiento.
- Limpie perfectamente las tuberías de suministro para descargarlas de suciedad y residuos. Proceda a instalar la manguera de suministro en el tanque y asegúrese de no dañar el extremo de la misma.
- Luego de la instalación, verifique que el agua y la electricidad estén funcionando correctamente.
- Se deben rellenar las brechas entre la tubería de descarga y el suelo con un material de sellado a base de silicona y resistente al moho (Mediseal).
- Presión mínima del agua requerida (flujo): 7 PSI a 2,64 gal/min (0,05 MPa a 10 L/min). Presión máxima del agua (estática): 108 PSI (0,75 MPa).



WYE de doble combinación/
curva de 1/8

SI

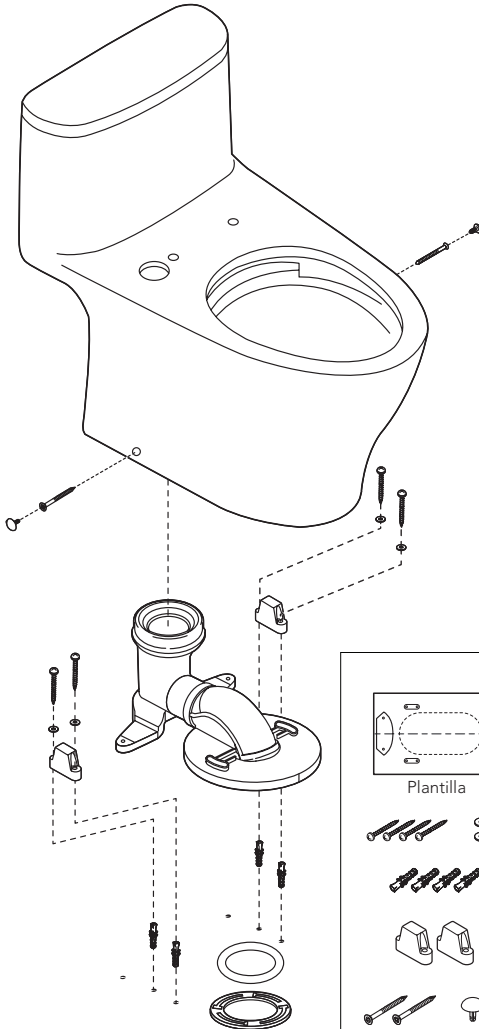


Conexión sanitaria en "T" doble/
conexión sanitaria en cruz

NO

DIAGRAMA Y PARTES INCLUIDAS

Verifique que todas las piezas estén incluidas en el envase:



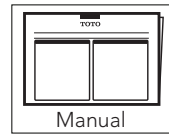
Caja 1



Taza de porcelana con tapa

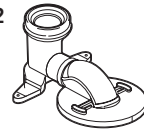


Asiento para inodoro
(incluido dependiendo en modelo)



Manual

Caja 2



Conexión de salida de PVC



Tornillo de montaje con
Arandela (2 piezas)



Anclaje
(2 piezas)



Instrucciones de montaje

CUIDADO Y LIMPIEZA

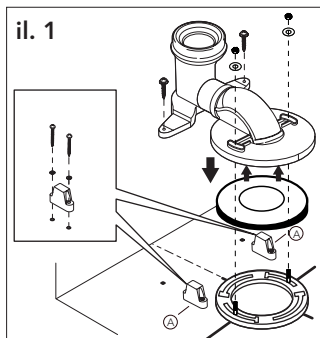
¡ADVERTENCIA!

NO UTILICE LIMPIADORES DENTRO DE LA TAZA DEL TANQUE.

El uso de productos clorados o con alta concentración de cloro puede dañar gravemente los accesorios en el tanque. Estos daños pueden causar fugas y averías materiales. TOTO® no será responsable de la mala colocación del tanque ni de los daños causados por el uso de limpiadores en la taza del tanque.

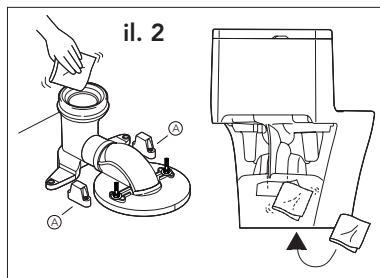
PROCEDIMIENTO DE INSTALACIÓN

1. Abra el embalaje del montaje Unifit. Siga las instrucciones de instalación del montaje Unifit.
2. Coloque la plantilla en posición y siga sus instrucciones para preparar la instalación de la taza del inodoro.



AVISO

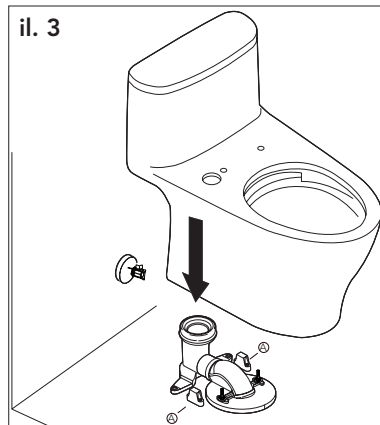
No mueva el montaje Unifit sobre la brida del suelo después de colocado el sello de cera. Si ignora este aviso, deseche el anillo de cera y reemplácelo por uno nuevo.



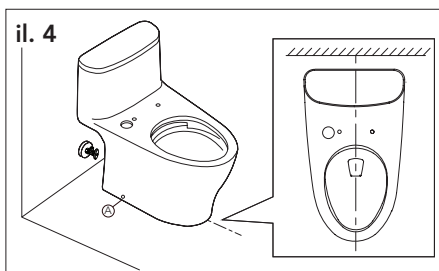
3. Coloque la taza del inodoro sobre el montaje Unifit y alinee los agujeros al costado del inodoro con las líneas "A" marcadas en el suelo.

AVISO

Coloque el inodoro en la posición correcta final. Si ignora este aviso, podría derivar en una filtración.

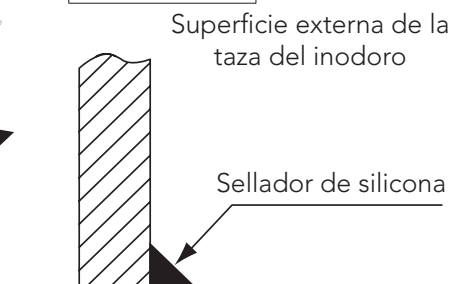
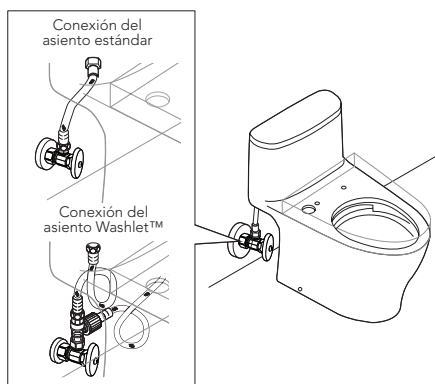
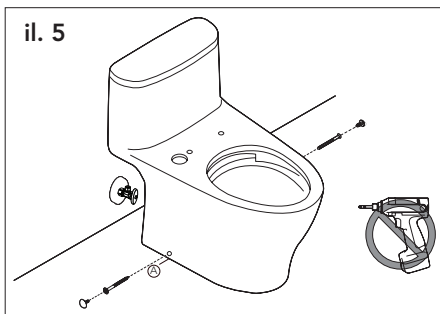


4. Alinee el inodoro en forma perpendicular a la pared trasera y paralelo a las paredes laterales; no debe estar inclinado ni en diagonal (il. 4).



PROCEDIMIENTO DE INSTALACIÓN

5. Asegúrese de que esté alineado antes de fijarlo.
6. Instale los tornillos laterales en los bloques de montaje. Cubra la cabeza de los tornillos con los tapones provistos (il. 5).
7. Cuando instale la unidad principal Washlet o la unidad principal del asiento para inodoro estándar, siga las instrucciones de la Guía de instalación.
8. Una vez que haya completado la instalación, verifique que la unidad del inodoro no tenga filtraciones.



REEMPLAZO LA VÁLVULA DE LLENADO

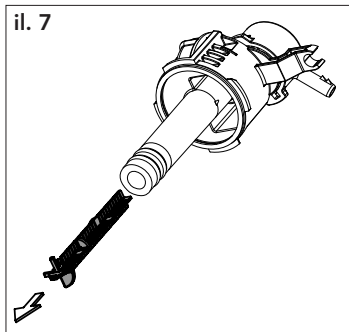
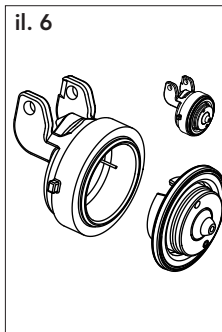
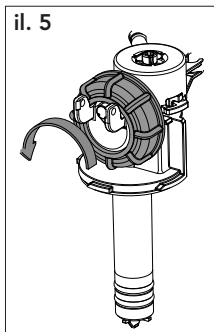
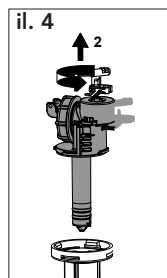
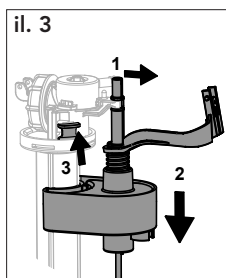
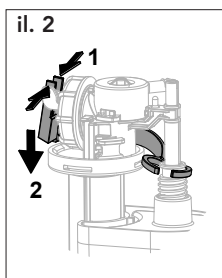
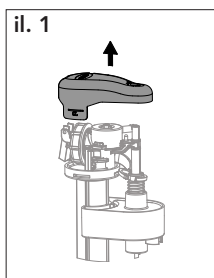
- 1) Cierre el suministro de agua al excusado.
- 2) Tire la cadena y retire el agua restante del tanque con una esponja.
- 3) Quite la conexión del suministro de agua de la válvula de llenado.
- 4) Quite la válvula de llenado anterior y utilice la esponja húmeda para limpiar el orificio del tanque.
- 5) Coloque la válvula de llenado nueva en el orificio del tanque, enrosque la tuerca de montaje en el vástago de la válvula de llenado y ajuste la tuerca.

NOTA: No ajuste demasiado. Asegúrese de instalar la válvula de llenado en una posición que no interfiera con el funcionamiento de la palanca de descarga.

MANTENIMIENTO DE LA VÁLVULA DE LLENADO

NOTA: Debido a las condiciones del agua en su área, el colador puede requerir una limpieza periódica. Los indicadores de que el filtro requiere servicio incluyen un ciclo de llenado retardado, ciclo de llenado intermitente o cantidad inadecuada de flujo de agua del tubo de llenado.

1. Desprenda la cubierta superior tirando de debajo de la pestaña (ver il. 1).
2. Presione las pestañas del brazo de palanca para permitir su extracción. (ver il. 2).
3. Desprenda la barra ajustable del soporte **(1)** permitiendo que la unidad se deslice hacia la parte inferior y retire la pestaña del retén tirando como indica la flecha **(3)** (ver il. 3).
4. Mientras sostiene la válvula con una mano, gire la tapa 1/4 de vuelta en sentido contrario a las manecillas del reloj y retírela (ver il. 4).
5. Destornille la tuerca de la cubierta del diafragma (ver il. 5).
6. Retire la diafragma desde la cubierta tirando con cuidado del borde del diafragma (ver il. 6). Tenga en cuenta la posición del diafragma mientras lo extrae.
7. Retire el colador desde el tubo con pinzas de punto (ver il. 7). Use el movimiento giratorio mientras tira para ayudar con la extracción.
8. Enjuague todas las partes con agua corriente para eliminar cualquier residuo o película. Vuelva a instalar todas las piezas en orden inverso. Abra el suministro de agua y verifique si hay fugas y si funciona.



GARANTÍA

1. TOTO® garantiza que su vitreos china producto no presenta defectos en sus materiales ni de fabricación durante su uso normal cuando es instalado y mantenido adecuadamente, por un periodo de uno (1) año(s) a partir de la fecha de compra. Esta garantía limitada es válida solamente para el COMPRADOR ORIGINAL del Producto y no es transferible a una tercera persona, incluyendo, pero sin limitarse a, cualquier comprador o propietario subsecuente del Producto. Esta garantía aplica solamente al Producto TOTO comprado e instalado en América del Norte, Central, Latina y del Sur.
2. Las obligaciones de TOTO bajo esta garantía se limitan a la reparación, cambio o cualquier otro ajuste, a petición de TOTO, del Producto o partes que resulten defectuosas en su uso normal, siempre que dicho Producto haya sido instalado, utilizado y mantenido de acuerdo con las instrucciones. TOTO se reserve el derecho de hacer tantas inspecciones como sean necesarias para determinar la causa del defecto. TOTO no cobrará por la mano de obra o partes relacionadas con las reparaciones o cambios garantizados. TOTO no es responsable por el costo de la remoción, devolución y/o reinstalación del Producto.
3. Esta garantía no aplica en los siguientes casos:
 - a) Daño o pérdida ocurrida en un desastre natural, tal como: incendio, sismo, inundación, relámpago, tormenta eléctrica, etc.
 - b) Daño o pérdida resultado de cualquier accidente, uso inaceptable, mal uso, abuso, negligencia o cuidado, limpieza o mantenimiento inadecuado del Producto.
 - c) Daño o pérdida causada por los sedimentos o material extraña contenida en un sistema de agua.
 - d) Daño o pérdida causada por una mala instalación o por la instalación del Producto en un ambiente duro y/o peligroso, o una remoción, reparación o modificación inadecuada del Producto. (NOTA: Los códigos de modelo del producto permiten un máximo de 80 PSI. Revise los códigos locales o las normas de requisitos.)
 - e) Daño o pérdida causada por sobrecargas eléctricas o rayos u otros actos que no sea responsabilidad de TOTO o que el Producto no esté especificado para tolerar.
 - f) Daño o pérdida causada por el uso normal y personalizado, tal como reducción del brillo, rayado o pérdida de color en el tiempo debido al uso, prácticas de limpieza o condiciones del agua o atmosféricas.
4. Para que esta garantía limitada sea válida, prueba de compra es necesaria. TOTO anima el registro de la garantía sobre compra para cree un archivo de la propiedad del producto en <http://www.totousa.com>. El registro del producto es totalmente voluntario y la falta a registrar no disminuirá sus derechos de garantía limitada.
5. ESTA GARANTÍA LE DA DERECHOS LEGALES ESPECÍFICOS. USTED PODRÍATENER OTROS DERECHOS QUE PUEDEN VARIAR DEPENDIENDO DEL ESTADO O PROVINCIA EN EL QUE SE ENCUENTRE.
6. Para obtener el servicio de reparación de esta garantía, debe llevar el Producto o enviarlo prepago a un modulo de servicios TOTO junto con la prueba de compra (recibo de compra original) y una carta en la que plantee el problema, o póngase en contacto con un distribuidor TOTO o el contratista de servicio de los productos, o escriba directamente a TOTO U.S.A., INC., 1155 Southern Road, Morrow, GA 30260 (678) 466-1300 o 888) 295-8134, si fuera de los E.E.U.U. Si, debido al tamaño del producto o naturaleza del defecto, el Producto no puede ser devuelto a TOTO, la recepción en TOTO del aviso escrito del defecto junto con la prueba de compra (recibo de compra original) constituirá el envío. En tal caso, TOTO podrá escoger entre reparar el Producto en el domicilio del comprador o pagar el transporte del Producto a un módulo de servicio.

ESTA GARANTÍA ESCRITA ES LA ÚNICA GARANTÍA HECHA POR TOTO. LA REPARACIÓN, CAMBIO U OTRO AJUSTE ADECUADO, TAL COMO APARECE EN ESTA GARANTÍA, SERÁ EL ÚNICO REMEDIO DISPONIBLE PARA EL COMPRADOR ORIGINAL. TOTO NO SERÁ RESPONSABLE POR LA PÉRDIDA DEL PRODUCTO O POR CUALQUIER OTRO DAÑO ACCIDENTAL, ESPECIAL O CONSECUENTE O POR DAÑOS INCURRIDOS POR EL COMPRADOR ORIGINAL, O POR LA MANO DE OBRA U OTROS COSTOS RELACIONADOS CON LA INSTALACIÓN O REMOCIÓN, O COSTOS DE REPARACIONES HECHAS POR OTROS, O POR CUALQUIER OTRO GASTO NO INDICADO DE MANERA ESPECÍFICA EN LOS PÁRRAFOS ANTERIORES. EN NINGÚN CASO LA RESPONSABILIDAD DE TOTO EXCEDERÁ EL PRECIO DE COMPRA DEL PRODUCTO. EXCEPTO EN LA MEDIDA EN QUE QUEDE PROHIBIDO POR LA LEYAPLICABLE, TODA GARANTÍA IMPLÍCITA, INCLUYENDO AQUELLAS DE COMERCIABILIDAD O IDONEIDAD DE USO PARA EL USO O PARA UN PROPÓSITO PARTICULAR, ESTÁ EXPRESAMENTE PROHIBIDA. ALGUNOS ESTADOS NO PERMITEN LAS LIMITACIONES ACERCA DE LA DURACIÓN DE UNA GARANTÍATÁCITA, O LA EXCLUSIÓN O LIMITACIÓN DE DAÑOS INCIDENTALES O CONSECUENTES, POR LO QUE LA LIMITACIÓN E INCLUSIÓN ANTERIORES PUEDEN NO APLICAR A USTED.

AVISO TOTO no será responsable de fallas o daños ocasionados en este producto de plomería o componente del producto causados por cloraminas en el tratamiento del suministro de agua público o en los limpiadores en el recipiente del tanque que contengan cloro (hipoclorito de calcio). Nota: el uso de cloro en alta concentración o productos derivados del cloro puede dañar seriamente los accesorios. Este daño puede ocasionar fugas y daños graves en la propiedad. Para obtener más información, llámenos al (888) 295-8134.

TABLE DES MATIÈRES

Merci d'avoir choisi TOTO!	16	Remplacement.....	19
Outils nécessaires.....	16	Instructions Nettoyage CEFIONTECT®.....	20
Avant l'installation	16	Entretien Vanne de Remplissage	21
Pièces incluses	17	Garantie.....	22
Nettoyage	17	Dimensions brutes	23
Procédure d'installation	18		

MERCI D'AVOIR CHOISI TOTO!

La mission de TOTO est d'offrir au monde entier un style de vie sain, hygiénique et plus confortable. Comme principe de base, nous concevons chaque produit avec un équilibre entre la forme et la fonction. Félicitations pour votre choix.

OUTILS NÉCESSAIRES

- 12" clé à pipe
- 10" clé à molette
- Niveau du menuisier
- Mètre à ruban
- Pince
- Tournevis
- Couteau à mastic
- Percer
- 11/64" foret pour l'installation de plancher de bois
- 5/16" foret pour l'installation de béton / tuile

MATÉRIAUX NÉCESSAIRES:

- Flexible d'alimentation / connecteur
- Robinet d'arrêt d'alimentation
- Montage (T) boulons et écrous (2pc)
- Anneau de cire / joint

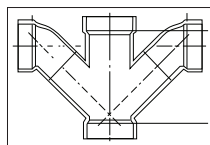
AVANT L'INSTALLATION

- Lisez le manuel d'instructions avant l'installation.
- Le manuel contient de l'information sur l'entretien et la garantie, NE PAS JETER.
- Localisez l'approvisionnement en eau et le tuyau du drain.

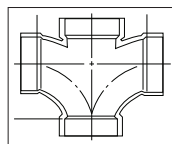
IMPORTANT!

Pour les installations dos à dos, les systèmes de chasse d'eau Tornado requièrent un raccord WYE raccordé au système de drain des toilettes. Veuillez communiquer avec votre constructeur/entrepreneur pour en savoir plus avant l'installation.

- Assurez-vous qu'il y a assez d'espace pour l'installation et pour le fonctionnement sans obstacles de l'équipement (portes, ouverture/fermeture, etc.) Si vous n'effectuez pas cette vérification à l'avance, il se peut que vous installiez le produit incorrectement et qu'il ne fonctionne pas bien..
- Rincez à fond les conduites d'alimentation pour éliminer toute saleté et tout débris. Installez le tuyau d'alimentation au réservoir et assurez-vous de ne pas endommager le bout du tuyau où le raccord se fait.
- Après l'installation, assurez-vous que l'alimentation en eau et l'électricité fonctionnent bien.
- Les espaces entre le tuyau de décharge et le plancher doivent être colmatés au moyen d'un agent d'étanchéité à base de silicone résistant aux moisissures (Mediseal).
- Pression d'eau minimale requise (lors de l'écoulement) : 0,05 MPa at 10 L/min (7 PSI à 2,64 Gal/min). Pression d'eau maximum (statique) : 0,75 MPa (108 PSI).



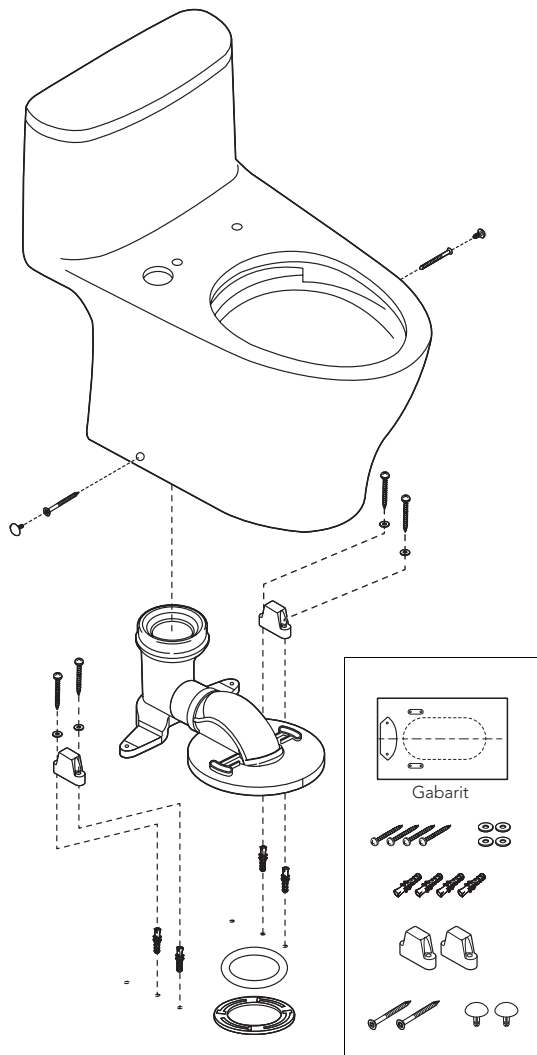
Combinaison double WYE / 1/8 Courbe
OUI



Té sanitaire double / En croix
NON

PIÈCES INCLUSES

Assurez-vous que toutes les pièces sont incluses :



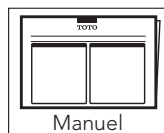
Boîte 1



Cuvette chinoise
avec couvercle

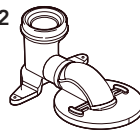


Siège de toilette
(inclus selon le modèle)



Manuel

Boîte 2



Raccord de sortie en PVC



Vis de montage avec rondelle
(2 pièces)



Ancre (2 pièces)



Instructions de
l'adaptateur Rough-In

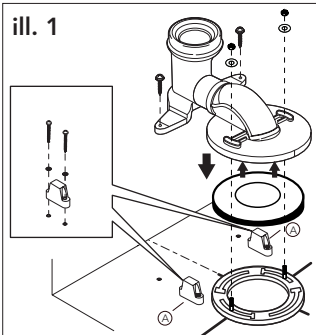
NETTOYAGE

AVERTISSEMENT! NE PAS UTILISER LES NETTOYEURS POUR CUVETTE DE TOILETTE PLACÉS DANS LE RÉSERVOIR.

L'utilisation d'une concentration élevée de chlore ou de produits contenant du chlore risque d'endommager sérieusement les éléments dans le réservoir. Ces dommages peuvent provoquer des fuites, ainsi que d'autres dégâts matériels. TOTO® ne doit pas être tenue responsable des défaillances ou des dommages matériels du réservoir causés par l'utilisation des nettoyeurs pour cuvette de toilette placés dans le réservoir.

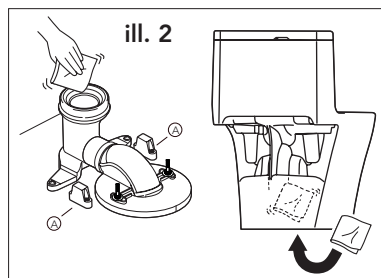
PROCÉDURE D'INSTALLATION

1. Ouvrez le conditionnement de l'adaptateur Unifit Rough-In. Suivez les instructions d'installation de l'adaptateur Unifit Rough-In.
2. Mettez le gabarit en place et suivez les instructions pour vous préparer à installer la cuvette.

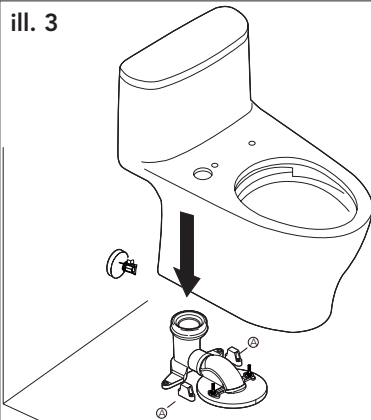


AVIS

Ne déplacez pas l'adaptateur Unifit Rough-In sur la bride de plancher une fois le joint de cire fixé. Si vous ignorez cet avis, jetez l'anneau en cire et remplacez-le par un nouvel anneau en cire.



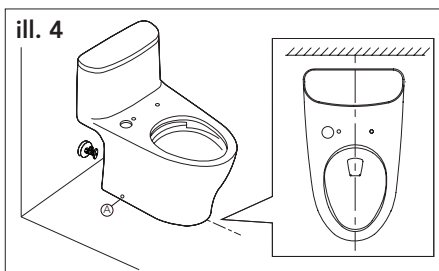
3. Placez la cuvette sur l'adaptateur Unifit Rough-In et alignez les trous sur le côté de la toilette et les lignes marquées « A » sur le plancher.



AVIS

Insérez la toilette dans sa position jusqu'au fond. Si vous ignorez cet avis, il peut y avoir fuite.

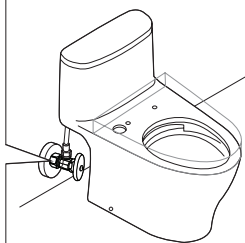
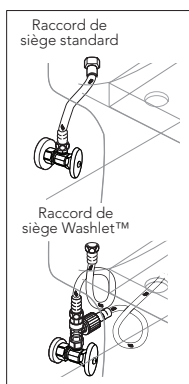
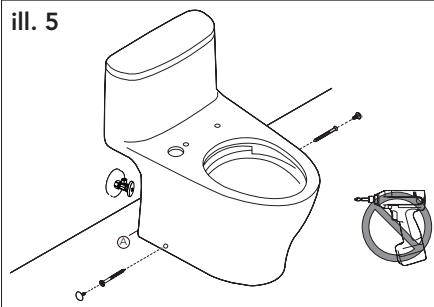
4. Alignez la toilette perpendiculairement au mur arrière et parallèlement aux murs latéraux; elle ne doit pas être croche ou inclinée (ill. 4).



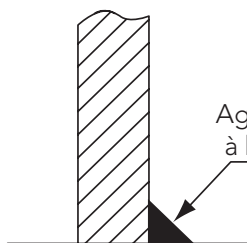
PROCÉDURE D'INSTALLATION

- Assurez-vous qu'elle est bien alignée avant de la fixer.
- Installez les vis latérales aux blocs de montage. Couvrez les têtes de vis avec les capuchons fournis (ill. 5).
- Quand vous installez l'unité principale de washlet ou l'unité principale de siège de toilette standard, suivez les instructions dans le guide d'installation.
- Une fois l'installation terminée, assurez-vous qu'il n'y a pas de fuite.

ill. 5



Surface intérieure
de la cuvette



Surface extérieure
de la cuvette

Agent d'étanchéité
à base de silicone

REPLACEMENT DE LA VALVE DE REMPLISSAGE

- Couper l'arrivée d'eau du toilette.
- Tirer la chasse d'eau et retirer l'eau restant dans le réservoir à l'aide d'une éponge.
- Retirer la connexion d'alimentation d'eau au niveau du robinet de remplissage.
- Retirer l'ancien robinet de remplissage et utiliser une éponge humide pour nettoyer l'orifice du réservoir.
- Placer le robinet de remplissage neuf dans l'orifice du réservoir, visser l'écrou de fixation sur la tige du robinet de remplissage et serrer l'écrou.

REMARQUE : Ne pas trop serrer. Veiller à installer le robinet de remplissage dans une position qui ne gêne pas le fonctionnement du levier de déclenchement.

REPLACEMENT DE LA VALVE DE REMPLISSAGE

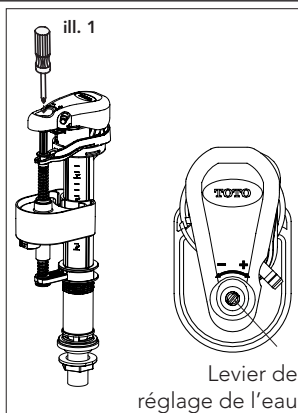
- 6) Connecter l'arrivée d'eau à la tige du robinet de remplissage et serrer manuellement.
- 7) Attacher le tuyau de remplissage sur le manchon du robinet de remplissage et fixer l'autre extrémité du tuyau de remplissage sur le tuyau de trop-plein.
- 8) Ouvrir l'arrivée d'eau et rechercher d'éventuelles fuites à l'extérieur du réservoir.

REMARQUE : Ne pas trop serrer. Il s'agit de pièces en plastique. Ne jamais utiliser de pâte à joint au niveau d'une connexion d'arrivée d'eau. Lorsque l'eau remplit le réservoir, elle est également acheminée vers le tuyau de trop-plein, via le tuyau de remplissage. Ce flux d'eau supplémentaire est essentiel pour remplir la cuvette du toilette. Une fois que l'eau cesse de remplir le réservoir, il est possible que des gouttes d'eau résiduelles tombent du robinet de remplissage. Ceci est NORMAL et s'arrêtera rapidement.

AJUSTER LE NIVEAU D'EAU

Reportez-vous à la marque indiquant le niveau d'eau à l'intérieur du réservoir.

1. Le réglage du niveau d'eau est situé à l'extrémité supérieure de la valve de remplissage. Utilisez un tournevis plat pour effectuer les réglages.
 - Pour augmenter le niveau d'eau: tournez le tournevis dans le sens des aiguilles d'une montre, ou vers l'indicateur «+».
 - Pour abaisser le niveau d'eau: tournez le tournevis dans le sens contraire des aiguilles d'une montre ou vers le repère «-».
2. Chasser les toilettes après chaque réglage pour vérifier le niveau d'eau. Lorsque vous êtes satisfait du niveau d'eau, rincez une fois de plus pour vérifier.



INSTRUCTIONS DE NETTOYAGE CEFIONTECT®



QU'EST-CE QUE CEFIONTECT®?

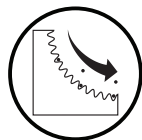
CEFIONTECT® est la glacer permanente ultra-lisse de TOTO qui empêche les débris de coller aux surfaces. Les produits avec la lettre «G» dans le numéro ont la glacer CEFIONTECT®. Cet émail, associé à un nettoyage régulier, aidera à garder votre produit TOTO en parfait état.

REMARQUE:

Pour un nettoyage régulier de votre produit TOTO avec CEFIONTECT®:

- Lavabo: utilisez un détergent à vaisselle et un chiffon doux.
- Toilette: utilisez un nettoyant à base de gel et une brosse en plastique à poils doux.
- **N'utilisez** pas de nettoyants, de poudres à polir ou de détergents contenant des particules granuleuses ou grossières.
- **N'utilisez** pas d'eau de Javel, de diluants chimiques ou de produits contenant des détergents acides ou alcalins dans leurs ingrédients.
- **N'utilisez** pas de brosses à récurer métalliques ou de laine d'acier.

Le respect de ces instructions de nettoyage, vous assurerez que le glaze CEFIONTECT® de votre produit TOTO reste intact, le gardant beau pendant de nombreuses années.



Pas de CEFIONTECT®



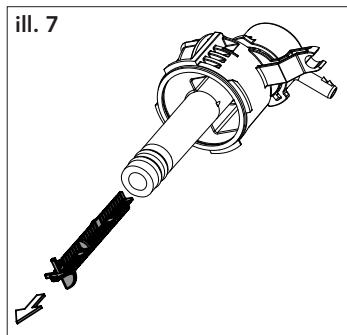
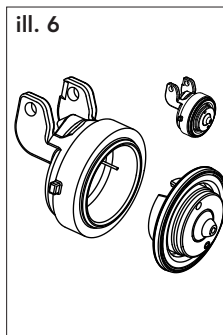
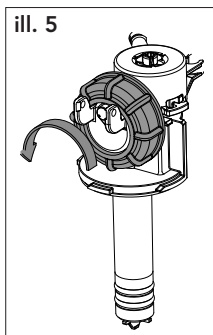
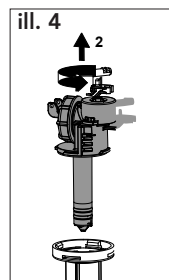
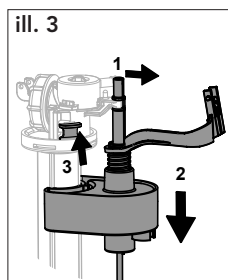
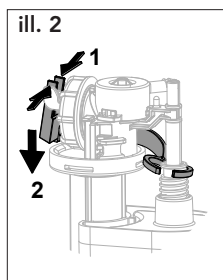
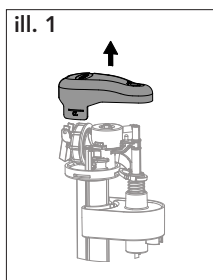
Avec CEFIONTECT®



ENTRETIEN DE LA VANNE DE REMPLISSAGE

REMARQUE : En raison des conditions d'eau dans votre région, le filtre peut nécessiter un nettoyage périodique. Les indicateurs indiquant que le filtre nécessite un entretien comprennent un cycle de remplissage retardé, un cycle de remplissage intermittent ou une quantité d'eau insuffisante provenant du tube de remplissage.

1. Décrochez le couvercle supérieur en tirant sous l'onglet (voir ill. 1).
2. Pincez les onglets du bras de levier pour permettre son retrait (voir ill. 2).
3. Décrochez la tige réglable du support **(1)** en laissant glisser l'appareil vers le bas et retirez la languette de retenue en tirant comme indiqué par la flèche **(3)** (voir ill. 3).
4. En tenant la valve avec une main, tourner le couvercle d'1/4 de tour dans le sens inverse des aiguilles d'une montre et l'enlever (voir ill. 4).
5. Dévissez l'écrou du logement du diaphragme (voir ill. 5).
6. Retirez le diaphragme tirant délicatement le bord du diaphragme (voir ill. 6). Notez la position du diaphragme pendant le retrait.
7. Retirez le filtre avec des pinces à bec effilé (voir ill. 7). Utilisez le mouvement de torsion tout en tirant pour aider à l'enlèvement.
8. Rincez toutes les pièces à l'eau courante pour éliminer les débris, les résidus ou les films. Réinstallez toutes les pièces dans l'ordre inverse. Allumez l'eau et vérifiez les fuites et le fonctionnement.



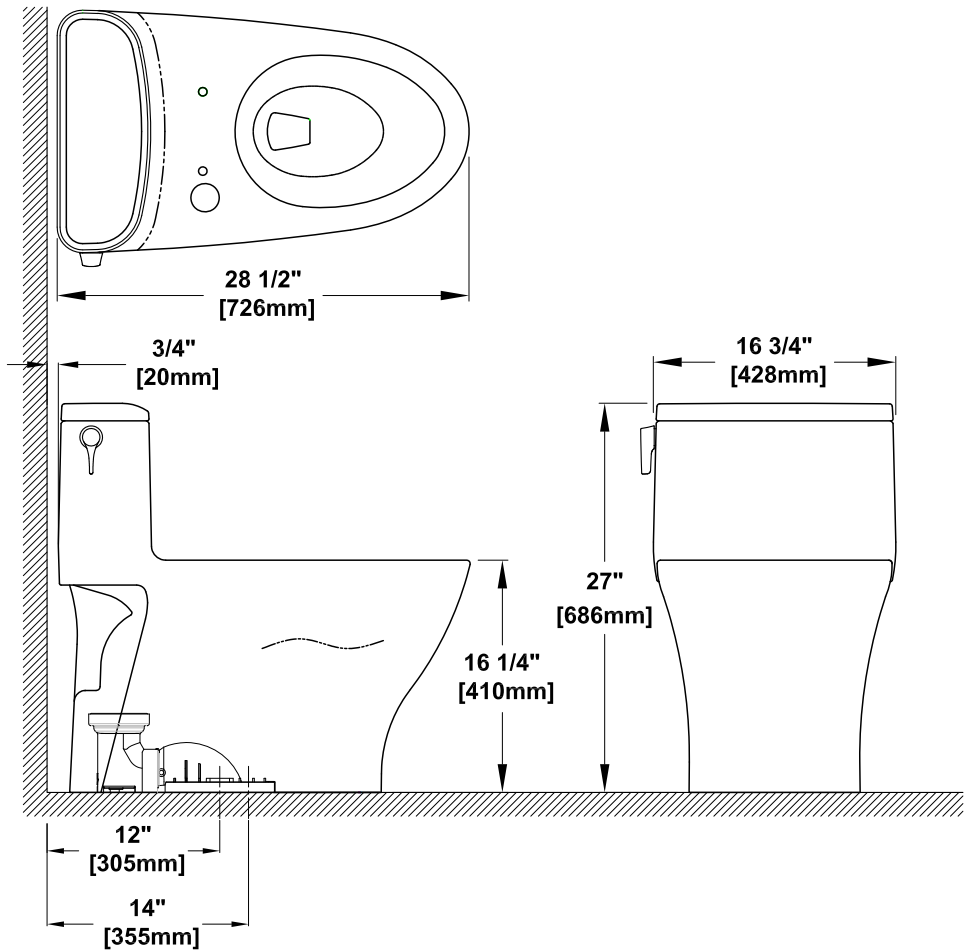
GARANTIE

1. TOTO® garantit sa vitreous china produits contre tout défaut de matériau et de fabrication pendant l'utilisation normale, lorsqu'elle est correctement installée et maintenue pour une période de une (1) ans à dater de l'achat. La présente garantie limitée ne peut être prolongée que pour le seul ACHETEUR D'ORIGINE de l'appareil et n'est pas transférable à un tiers, y compris mais pas limité à tout acheteur ou propriétaire subséquent du produit. Cette garantie n'est applicable qu'aux produits achetés et installés en Amérique du Nord, Centrale, Latine, et du Sud.
2. Les obligations de TOTO selon les termes de cette garantie sont limitées à la réparation, remplacement ou autre ajustement en conséquent, au choix de TOTO, des produits ou des pièces défectueuses en service normal, pourvu qu'un tel produit ait été installé, utilisé et entretenu conformément aux instructions. TOTO se réserve le droit d'effectuer ce genre de vérifications en cas de nécessité afin de déterminer la cause du défaut. TOTO ne facturera pas les interventions ou les pièces relatives à la réparation et au remplacement sous garantie. TOTO n'est pas responsable du coût de désinstallation, de renvoi et/ou de réinstallation de l'appareil.
3. La garantie ne s'applique pas dans les cas suivants:
 - a) Dommage ou perte suite à une cause naturelle telle que incendie, tremblement de terre, inondation, tonnerre, orage etc.
 - b) Dommage ou perte causés par tout accident, utilisation non adaptée, un abus, une négligence ou un mauvais traitement, nettoyage ou entretien de l'appareil.
 - c) Dommage ou perte causé par des sédiments ou tout autre corps étranger contenus dans un réseau d'alimentation en eau.
 - d) Dommage ou perte suite à une mauvaise installation ou à l'installation de l'appareil dans un environnement rude et/ou dangereux ou une mauvaise désinstallation, réparation ou modification du produit. (REMARQUE : Les codes de modèle du produit permet un maximum de 80 PSI. Vérifiez les codes locaux ou des normes pour les besoins).
 - e) Dommage ou perte suite à des surtensions, foudres ou tous autres actes qui ne sont pas la responsabilité de TOTO, ou actes stipulés non supportables par le produit.
 - f) Dommage ou perte résultant d'une usure normale et habituelle, telle que la diminution du lustre, grattage ou décoloration avec le temps, habitude de nettoyage, l'eau, ou des conditions atmosphériques.
4. Pour que la garantie limitée soit valable, la preuve d'achat est exigée. TOTO vous encourage à enregistrer votre produit après l'achat pour créer un record du propriété, cela peut être fait au site <http://www.totousa.com>. L'enregistrement du produit est complètement volontaire et à défaut de l'enregistrement ne va pas limiter votre droit au garantie limitée.
5. CETTE GARANTIE DONNE DES DROITS SPÉCIFIQUES. IL EST POSSIBLE QUE L'ACHETEUR AIT D'AUTRES DROITS QUI VARIENT DUN ÉTAT A UN AUTRE OU D'UNE PROVINCE À L'AUTRE.
6. Pour obtenir une réparation selon les termes de cette garantie, l'acheteur doit livrer à un centre de réparation de TOTO port payé avec preuve d'achat (reçu de caisse original), et une lettre expliquant le problème, ou contacter un distributeur de TOTO ou un entrepreneur de réparation du produit ou écrire directement à TOTO U.S.A., INC., Southern Road, Morrow, Géorgie 30260, (678) 466-1300 ou appelé (888) 295-8134, si en dehors de L'Etat Unis. Si, à cause de la taille du produit ou de la nature du défaut, il n'est pas possible de renvoyer le produit à TOTO, la réception par TOTO d'un avis écrit du défaut avec preuve d'achat (reçu de caisse original) constitue livraison. Dans un tel cas, TOTO peut choisir de réparer le produit chez l'acheteur ou de payer le transport du produit à un centre de réparation.

CETTE GARANTIE ÉCRITE EST LA SEULE GARANTIE FAITE PAR TOTO. LA RÉPARATION, LE REMPLACEMENT OU TOUT AUTRE AJUSTEMENT APPROPRIÉ SELON LES TERMES DE CETTE GARANTIE EST LE SEUL RECOURS DE L'ACHETEUR INITIAL. TOTO N'EST PAS RESPONSABLE DE LA PERTE DU PRODUIT OU DE TOUT AUTRE DOMMAGE INDIRECT, SPÉCIAL OU SECONDAIRE OU DES DÉPENSES ENCOURUES PAR L'ACHETEUR INITIAL NI DE LA MAIN-D'OEUVRE OU AUTRES FRAIS ASSOCIÉS À L'INSTALLATION OU LA MANIPULATION, OU LES FRAIS DE RÉPARATION PAR DES TIERS, NI POUR TOUS AUTRES FRAIS PAS SPÉCIFIQUEMENT MENTIONNÉS. EN AUCUN CAS, LA RESPONSABILITÉ DE TOTO NE PEUT DÉPASSER LE PRIX D'ACHAT DU PRODUIT. SAUF QUAND INTERDITE PAR UNE LOI APPLICABLE, TOUTE GARANTIE SOUS-ENTENDUE, Y COMPRIS CELLE DE VENDABILITÉ OU D'APPLICATION POUR UN USAGE PARTICULIER, EST EXPRESSÉMENT REJETÉ. CERTAINES PAYS NE PERMETTENT PAS LA LIMITATION DE LA LONGUEUR D'UNE GARANTIE SOUS-ENTENDUE, OU L'EXCLUSION OU LA LIMITATION DES DOMMAGES INDIRECTS OU SECONDAIRES, IL EST DONC POSSIBLE QUE CETTE LIMITATION ET EXCLUSION NE S'APPLIQUE PAS À VOTRE CAS.

ATTENTION ! TOTO décline toute responsabilité quant aux panes ou aux dommages causés sur ce produit de plomberie ou composant du produit par la chloramine contenue dans le traitement de l'alimentation en eau publique ou dans les produits d'entretien pour réservoirs des toilettes contenant du chlore (hypochlorite de calcium). Remarque : l'utilisation d'une forte concentration de chlore ou de produits à base de chlore risque d'endommager sérieusement la tuyauterie. Ces dommages peuvent provoquer des fuites et des dégâts des eaux. Pour plus d'informations, contactez-nous au (888) 295-8134.

**ROUGH-IN DIMENSIONS / BOSQUEJO /
ROBINETTERIE BRUTE**



TOTO

TOTO® U.S.A., Inc. 1155 Southern Road,
Morrow, Georgia 30260
Tel: 888-295-8134 Fax: 800-699-4889
www.totousa.com

0GU188-1
Rev Date: 6/21



Warranty Registration and Inquiry

For product warranty registration, TOTO U.S.A. Inc. recommends online warranty registration. Please visit our web site <http://www.totousa.com>. If you have questions regarding warranty policy or coverage, please contact TOTO U.S.A. Inc., Customer Service Department, 1155 Southern Road, Morrow, GA 30260 (888) 295-8134 or (678) 466-1300 when calling from outside of U.S.A.