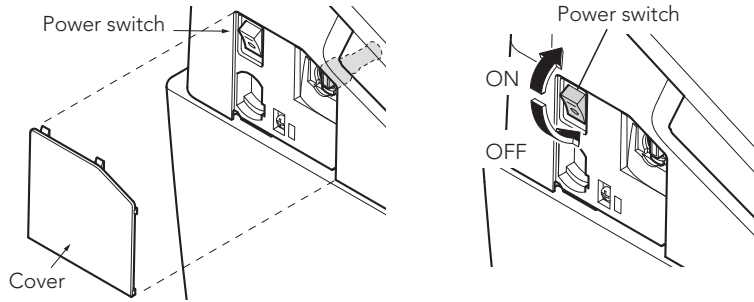


DEODORIZER CARTRIDGE

NOTE: BEFORE YOU PERFORM ANY MAINTENANCE

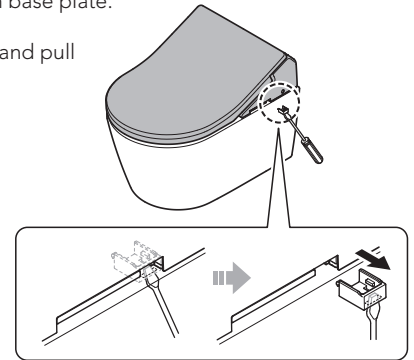
For safety, flip the power switch to OFF before any maintenance.



STEP 1

To release from base plate.

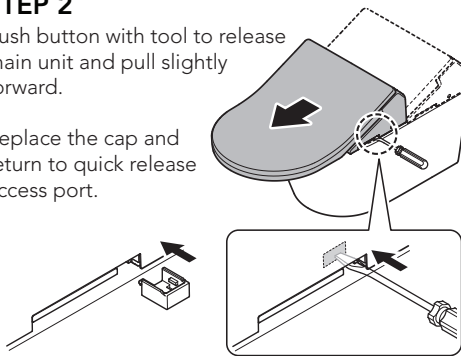
- Hold the cap and pull outward.



STEP 2

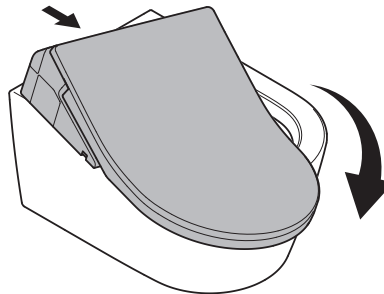
Push button with tool to release main unit and pull slightly forward.

Replace the cap and return to quick release access port.



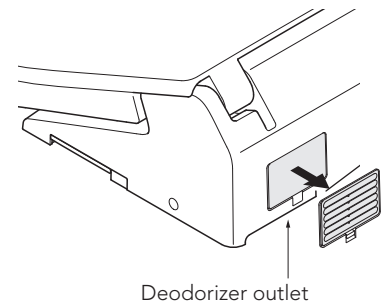
STEP 3

Pull the WASHLET slightly forward and turn left to access the deodorizer cover on the rear of the main unit.



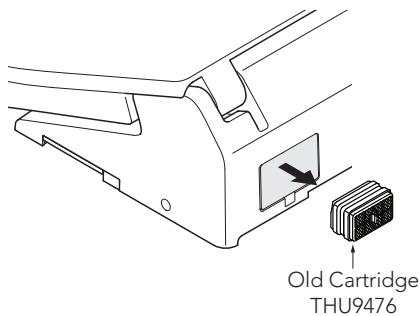
STEP 4

Remove the deodorizer cover.



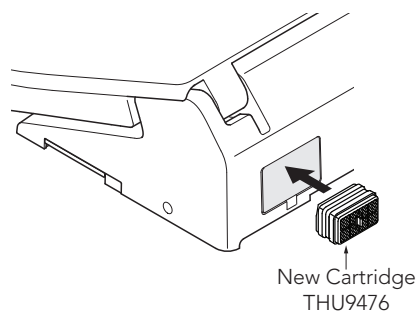
STEP 5

Remove the used deodorizer cartridge.



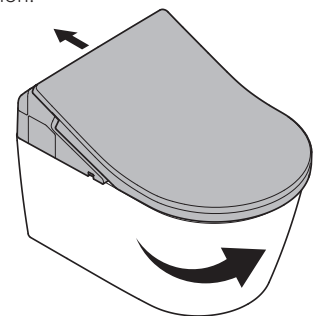
STEP 6

Insert the new deodorizer cartridge.



STEP 7

Move the WASHLET back to its original position.



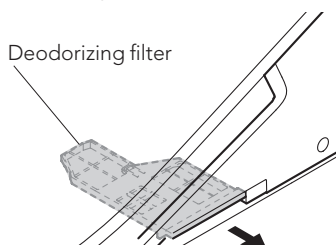
DEODORIZER FILTER MAINTENANCE

While performing cartridge maintenance, it is recommended to also clean the deodorizing filter.

STEP 1

Locate deodorizing filter next to release cap on main unit.

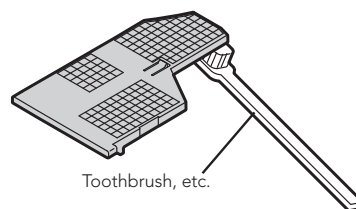
Do not pull out with undue force for it may cause damage or malfunction of the unit.



STEP 2

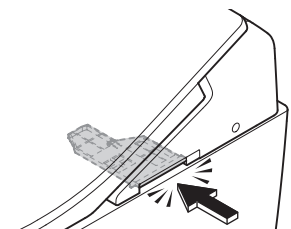
Clean deodorizer filter with a toothbrush or similar tool.

- When washing with water, dry off before mounting.



STEP 3

Mount back the deodorizing filter.



Push firmly until a clicking sound is heard.