

# TOTO®

# TS300A55 & TS300A65

## Traditional Collection Series A Multi-Spray Showerhead

### FEATURES

- Maximum flow rate of 2.5 gpm (9.5 lpm)
- Multifunction showerhead with 5 spray modes
  - Spray
  - Spray & Massage Combo
  - Massage
  - Mist
  - Pause
- Easy to clean rubber nozzles reduce scale buildup
- G 1/2" connection

### MODELS

- TS300A55  
4-1/2" showerhead  
4" diameter spray face
- TS300A65  
5-1/2" showerhead  
5" diameter spray face

### COLORS/FINISHES

- #CP Polished Chrome
- #BN Brushed Nickel
- #PN Polished Nickel

### CODES/STANDARDS

- Meets or exceeds ASME A112.18.1/CSA B125.1
- Certifications: IAPMO(cUPC), State of Massachusetts and others
- Code Compliance: UPC, IPC, NSPC, NPC Canada, and others



### PRODUCT SPECIFICATION

The multi-spray showerhead shall have a maximum flow rate of 2.5 gpm (9.5 lpm). TS300A55 shall have a 4-1/2" showerhead and a 4" diameter spray face. TS300A65 shall have a 5-1/2" showerhead and a 5" diameter spray face. Product shall have 5 multifunction spray modes. Spray modes shall be spray, spray and massage combo, massage, mist and pause. Product shall have rubber nozzles to prevent limescale build up. Product shall be TOTO Model TS300A\_\_\_\_ #\_\_\_\_.



TS300A55: Traditional Collection Series A Multi-Spray Showerhead 4-1/2"



TS300A65: Traditional Collection Series A Multi-Spray Showerhead 5-1/2"

**Please note the following component is sold separately:**



TS300N6: Shower Arm 6"

# TS300A55 & TS300A65

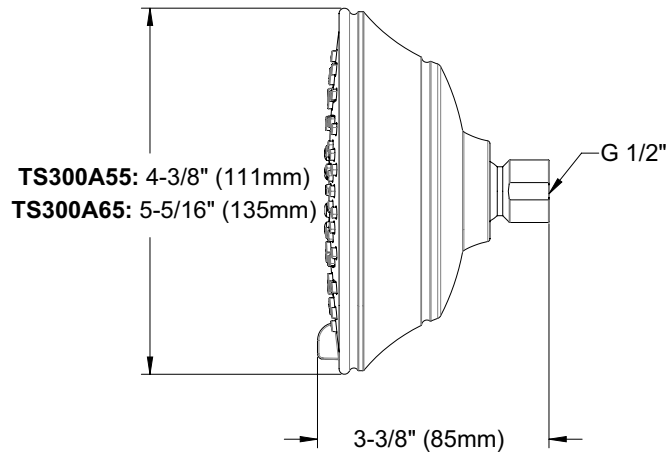
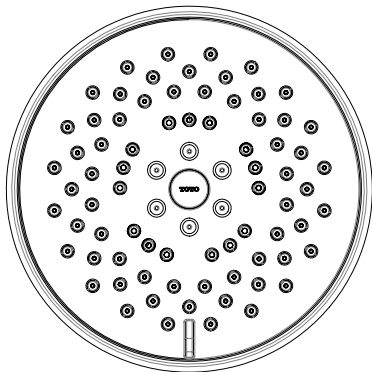
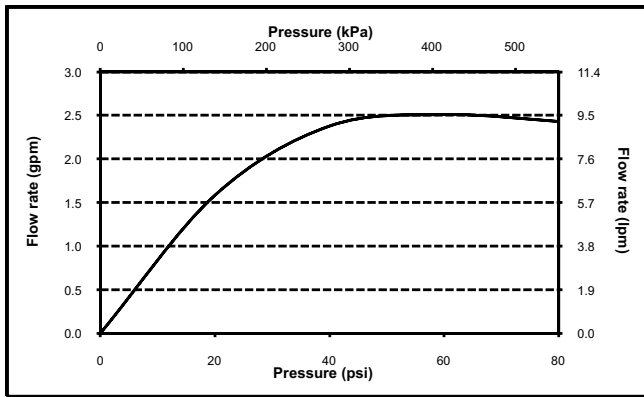
## Traditional Collection Series A Multi-Spray Showerhead

### SPECIFICATIONS

- Warranty Lifetime Limited Warranty (Residential Use)  
One Year (Commercial Use)
- Material Brass / Plastics
- Shipping Weight TS300A55: 0.9 lbs.  
TS300A65: 1.1 lbs.
- Shipping Dimensions TS300A55 & TS300A65:  
3-1/2" L x 5-3/4" W x 6-3/4" H
- Maximum Flow Rate 2.5 gpm (9.5 lpm)

### INSTALLATION NOTES

OPTIONAL SHOWERHEAD COMPONENT:  
TS300N6: Shower Arm 6" sold separately.



**TOTO®**

*These dimensions and specifications are subject to change without notice*