

TOTO®

TS300F41 & TS300F51

Traditional Collection Series A Single-Spray Handshower

FEATURES

- Maximum flow rate of 2.5 gpm (9.5 lpm)
- Single-spray handshower
- Easy to clean rubber nozzles reduce scale buildup
- G 1/2" connection

MODELS

- TS300F41
3-1/2" handshower
3" diameter spray face
- TS300F51
4-1/2" handshower
4" diameter spray face

COLORS/FINISHES

- #CP Polished Chrome
- #BN Brushed Nickel
- #PN Polished Nickel

CODES/STANDARDS

- Meets or exceeds ASME A112.18.1/CSA B125.1
- Certifications: IAPMO(cUPC), State of Massachusetts and others
- Code Compliance: UPC, IPC, NSPC, NPC Canada, and others



PRODUCT SPECIFICATION

The single-spray handshower shall have a maximum flow rate of 2.5 gpm (9.5 lpm). TS300F41 shall have a 3-1/2" handshower and a 3" diameter spray face. TS300F51 shall have a 4-1/2" handshower and a 4" diameter spray face. Product shall have a single spray. Product shall have rubber nozzles to prevent limescale build up. Product shall be TOTO Model TS300F ____ # ____.



TS300F41: Traditional Collection Series A Single-Spray Handshower 3-1/2"



TS300F51: Traditional Collection Series A Single-Spray Handshower 4-1/2"

Please note the following components are sold separately:



TS101R
Wall Outlet



TS101S
Shower Arm Mount



TS101V
Handshower Wall-Mount



TS101W60
Shower Hose 60"

TS300F41 & TS300F51

Traditional Collection Series A Single-Spray Handshower

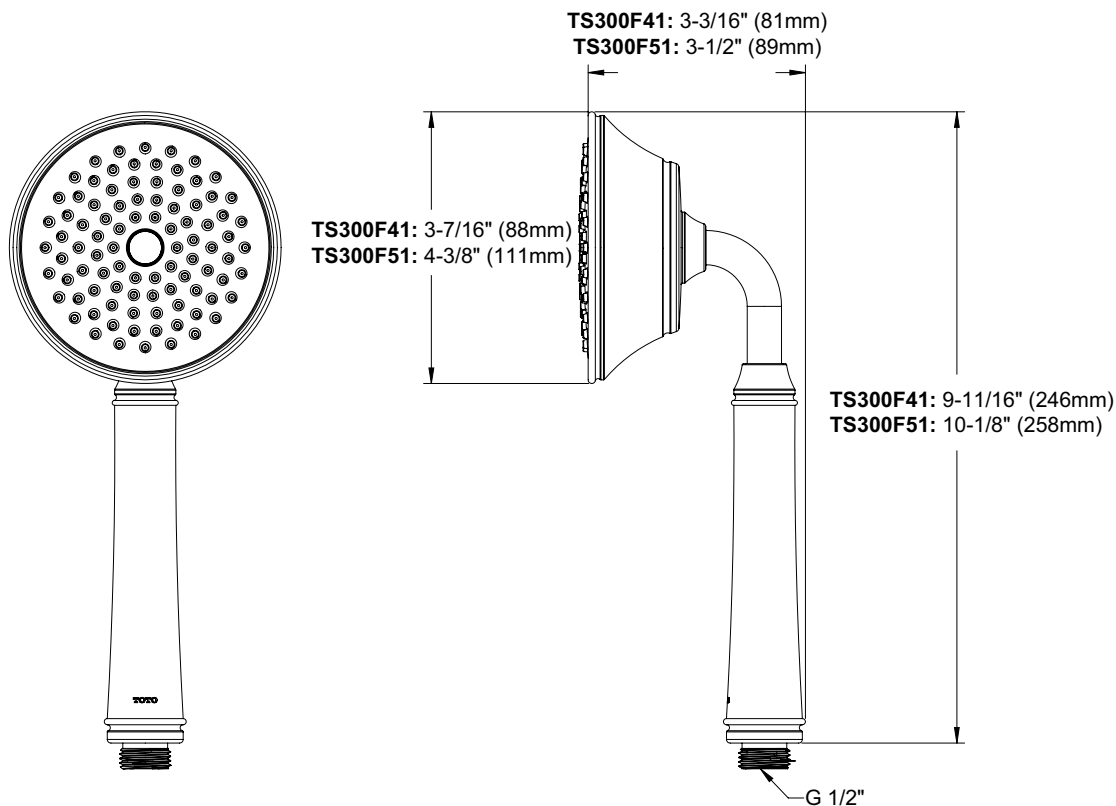
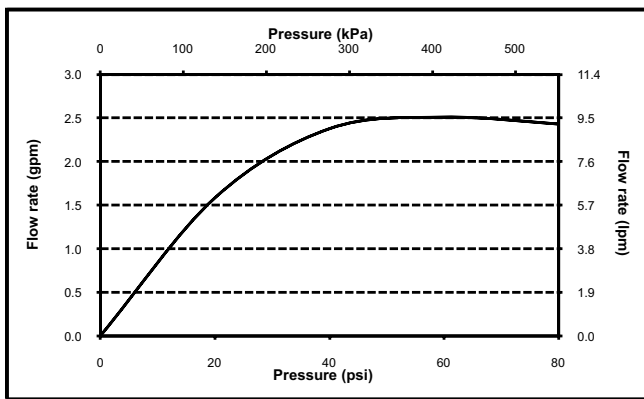
SPECIFICATIONS

- Warranty: Lifetime Limited Warranty (Residential Use)
One Year (Commercial Use)
- Material: Plastics
- Shipping Weight: TS300F41: 1.1 lbs.
TS300F51: 1.2 lbs.
- Shipping Dimensions: TS300F41 & TS300F51:
4" L x 4-1/4" W x 11-1/4" H
- Maximum Flow Rate: 2.5 gpm (9.5 lpm)

INSTALLATION NOTES

OPTIONAL HANDSHOWER COMPONENTS:

- TS101R: Wall Outlet
- TS101S: Shower Arm Mount
- TS101V: Handshower Wall-Mount
- TS101W60: Shower Hose 60"



TOTO

These dimensions and specifications are subject to change without notice