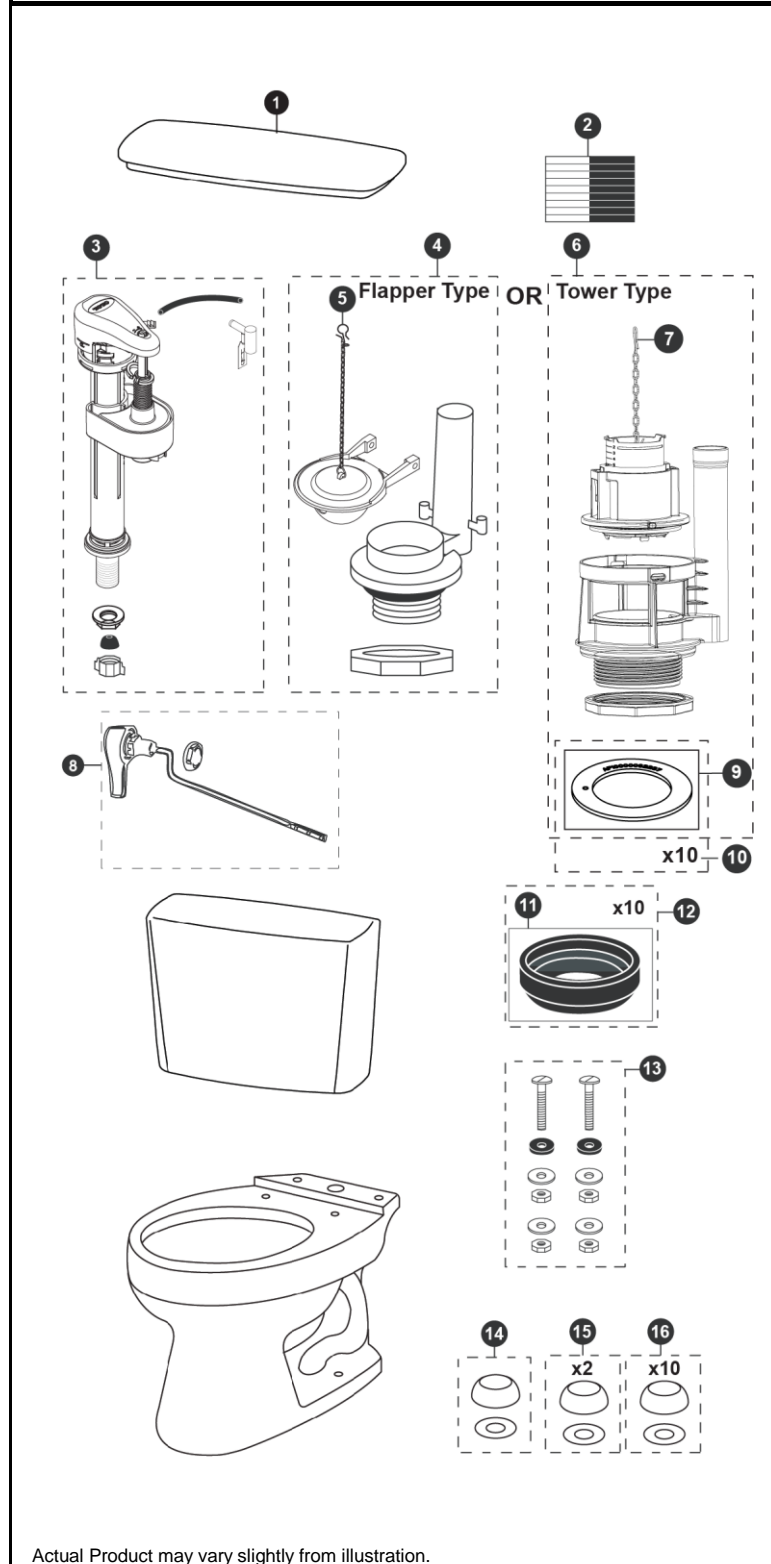


CST744EFN.10 & CST744EFRN.10

CST744EFN.10
C744EF.10
ST744E

CST744EFRN.10
C744EF.10
ST744ER

EcoDrake® Transitional 1.28 Gpf Toilet, Elongated, E-Max®, 10" Rough-In Universal Height



Item	Part	Description
1	TCU744CRE#01	Tank Lid w/ Velcro Tape
2	THU107	Velcro Tape
3	TSU53A	Fill Valve
4	THU252P-A	Flush Valve
5	THU500S	Flapper w/ Chain
6	THU443.10B-A	Drain Valve for Tower Type
7	THU440-A	Flush Tower
8	THU398#01	Trip Lever - Cotton
	THU398#CP	Trip Lever - Chrome Plated
	THU398#BN	Trip Lever - Brushed Nickel
	THU398#PN	Trip Lever - Polished Nickel
	THU399#CP	Trip Lever, Right Hand - Chrome Plated
9	THU407	Seal Gasket (1 piece)
10	THU370	Seal Gasket (10 pieces)
11	9BU024E	3" Tank to Bowl Gasket
12	THU131	Tank to Bowl Gaskets (10 pieces)
13	TSU01D	Tank Mounting Kit
14	THU044#01	Bolt Cap Set - Cotton (1 set)
	THU044#03	Bolt Cap Set - Bone (1 set)
	THU044#11	Bolt Cap Set - Colonial White (1 set)
	THU044#12	Bolt Cap Set - Sedona Beige
	THU044#51	Bolt Cap Set - Ebony
15	THU044S#01	Bolt Cap Sets - Cotton (2 pieces)
	THU044S#03	Bolt Cap Sets - Bone (2 pieces)
	THU044S#11	Bolt Cap Sets - Colonial White (2 pieces)
	THU044S#12	Bolt Cap Sets - Sedona Beige (2 pieces)
	THU044S#51	Bolt Cap Sets - Ebony (2 pieces)
16	THU098#01	Bolt Cap Sets - Cotton (20 pieces)
	THU098#03	Bolt Cap Sets - Bone (20 pieces)
	THU098#11	Bolt Cap Sets - Colonial White (20 pieces)
	THU098#12	Bolt Cap Sets - Sedona Beige (20 pieces)
	THU098#51	Bolt Cap Sets - Ebony (20 pieces)

Note:

Product Number Explanations

Two-Piece Toilet

(CST) Gravity Type Toilet
(744) Model #
(E) E-Max®
(L) ADA Compliant
(R) Right Hand Option
(N) Model Letter

Tank

(ST) Tank
(744) Model #
(E) E-Max®
(R) Right Hand Option

Bowl

(C) Bowl
(744) Model #
(E) E-Max®
(L) ADA Compliant