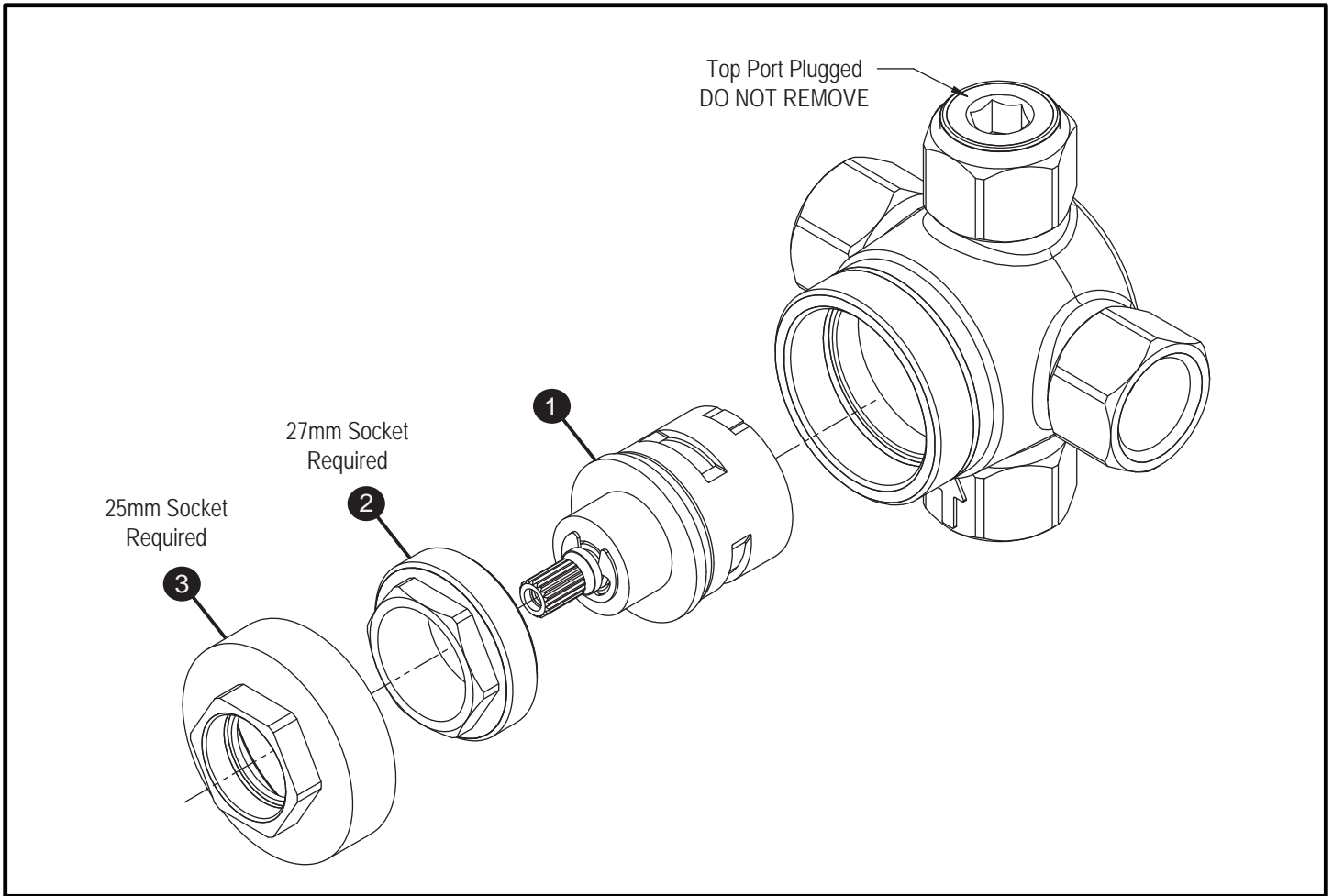


Two-Way Diverter Valve with Off



Item	Part	Description
1	THP4800	Cartridge, Two-Way with Off
2	THP4801	Nut
3	THP4802	Cover