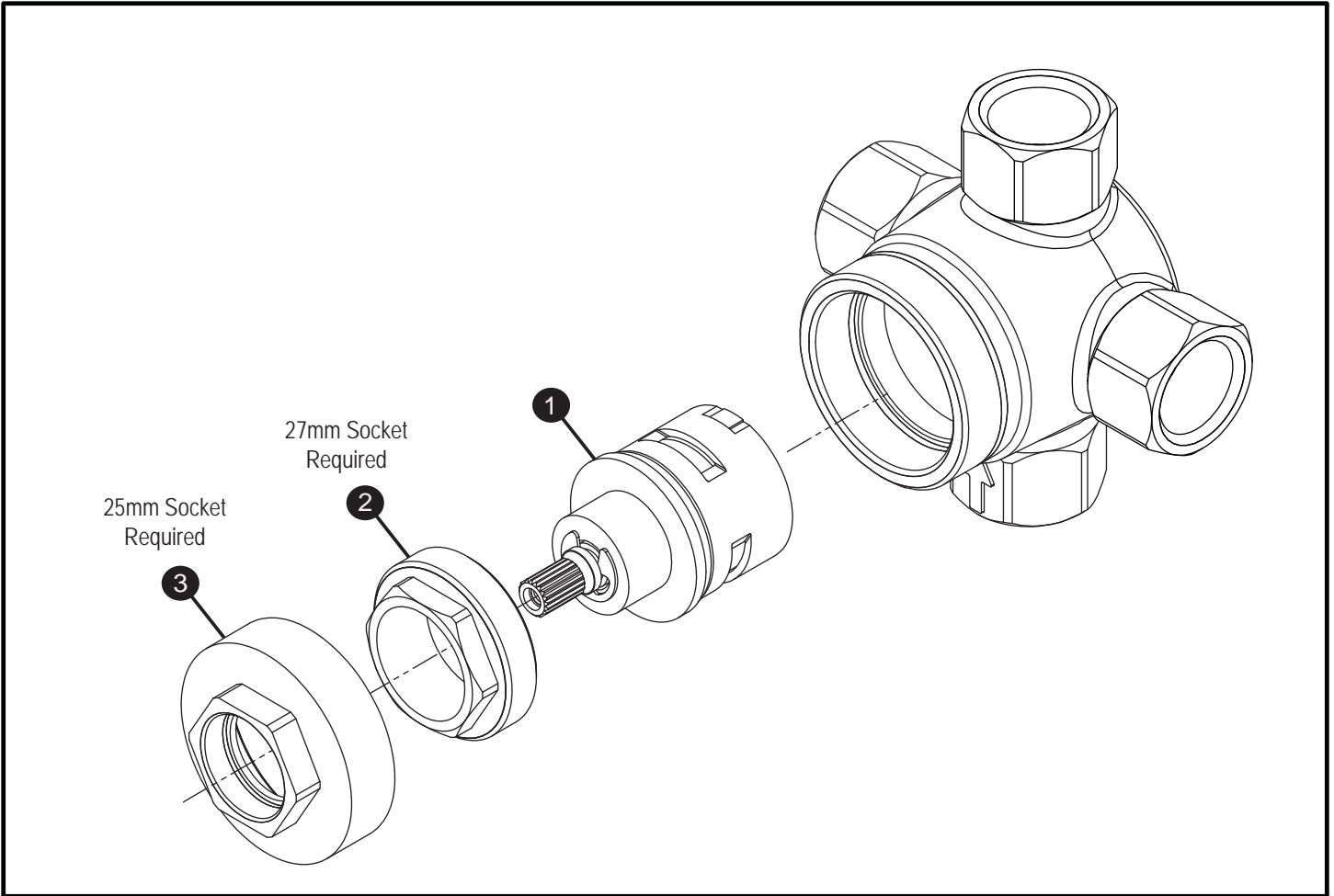


Three-Way Diverter Valve with Off



| Item | Part | Description |
|------|---------|-------------------------------|
| 1 | THP4899 | Cartridge, Three-Way with Off |
| 2 | THP4801 | Nut |
| 3 | THP4802 | Cover |