

Aimes® Freestanding Bathtub

FEATURES

- 71-1/2" x 36-3/16" x 23-11/16"
- Luxuriously deep bathing well
- Cast-acrylic construction provides high durability
- Slip-resistant surface
- Drain with various finishes
- 2 Pillows

COLORS/FINISHES

- Shell Color
#01 Cotton
- Drain
#CP Polished Chrome
#BN Brushed Nickel
#PN Polished Nickel
- Pillows
Neutral White



PRODUCT SPECIFICATION

The Aimes Freestanding Bathtub shall be 71-1/2" in length, 36-3/16" in width and 23-11/16" in height. Bath shall be free standing with drain. Bath shall have a slip-resistant surface and acrylic construction. Bath shall be TOTO Model ABF626N____.

CODES/STANDARDS

- Meets and exceeds ANSI Z124.1.2, CSA B45
- Certifications: IAPMO(cUPC), State of Massachusetts, City of Los Angeles and others
- Code Compliance: UPC, IPC, NSPC, NPC Canada, and others
- Complies with CA Prop 65 warning requirements



ABF626N

Aimes® Freestanding Bathtub

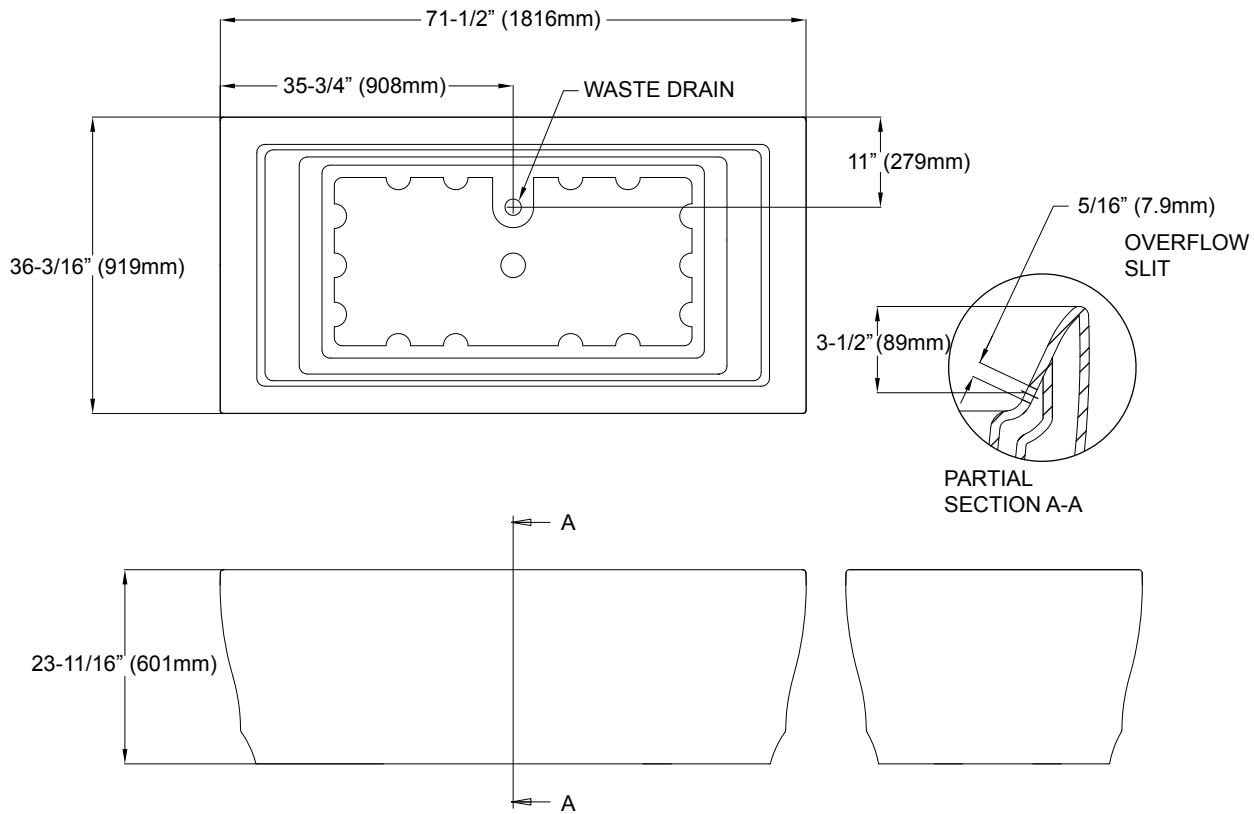
SPECIFICATIONS

- **Size** 71-1/2" L x 36-3/16" W x 23-11/16" H
- **Depth** 19"
- **Water Depth** 15.3"
- **Warranty** 1 Year Limited Warranty on acrylic tub
1 Year Limited Warranty on components and parts
- **Material** Cast Acrylic construction
- **Shipping Weight** 395 lbs.
- **Shipping Dimensions** 78" L x 48" W x 31" H
- **Gallons** 88 to overflow

INSTALLATION NOTES

Floor support under bath must provide a minimum of 75 lbs/square foot (366 kg/square meter) loading.

Check local codes for requirements on installing an ASSE 1070/ASME A112. 1070/CSA B125.70 compliant device in series with the tub faucet.



TOTO®

These dimensions and specifications are subject to change without notice