

Maris™ Semi-Recessed Vessel Lavatory

FEATURES

- 19-1/2" x 15-5/32"
- Vitreous china
- CEFIONTECT® ceramic glaze - prevents debris and mold from sticking to ceramic surfaces, leading to fewer chemicals and less water in cleaning
- Rear overflow
- Installation template included

MODELS

- LT480G
Lavatory with CEFIONTECT (#01, #03, #11, #12)
- LT480
Lavatory (#51)

COLORS/FINISHES

- Standard
 - #01 Cotton
 - #03 Bone
 - #11 Colonial White
 - #12 Sedona Beige
 - #51 Ebony

CODES/STANDARDS

- Meets and exceeds ASME A112.19.2/CSA B45.1
- Certifications: IAPMO(cUPC), State of Massachusetts, City of Los Angeles, and others
- Code compliance: UPC, IPC, NSPC, NPC Canada, and others
- ADA compliant
- Complies with CA Prop 65 warning requirements



PRODUCT SPECIFICATION

This semi-recessed vessel lavatory shall be made of vitreous china. Lavatory shall be 19-1/2" x 15-5/32". Product shall be with rear overflow. Lavatory shall have CEFIONTECT ceramic glaze (except #51 Ebony). Lavatory shall be ADA compliant. Lavatory shall be TOTO Model LT480_____.

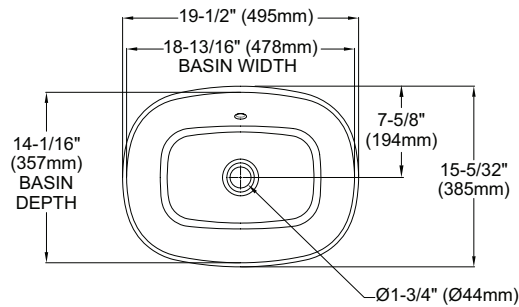
LT480(G)

Maris™ Semi-Recessed Vessel Lavatory

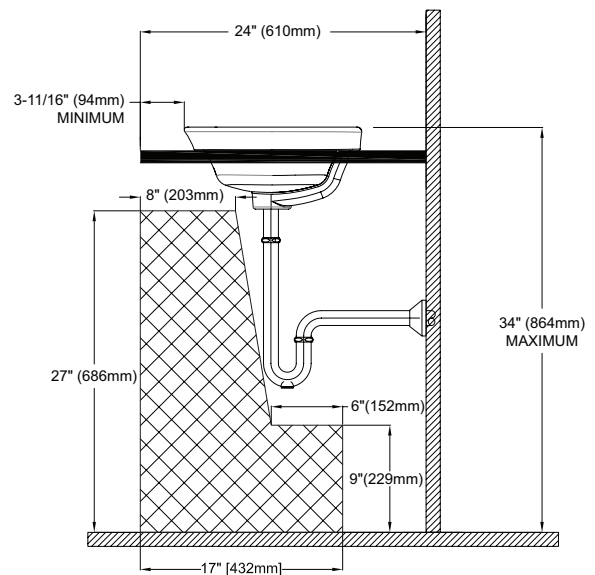
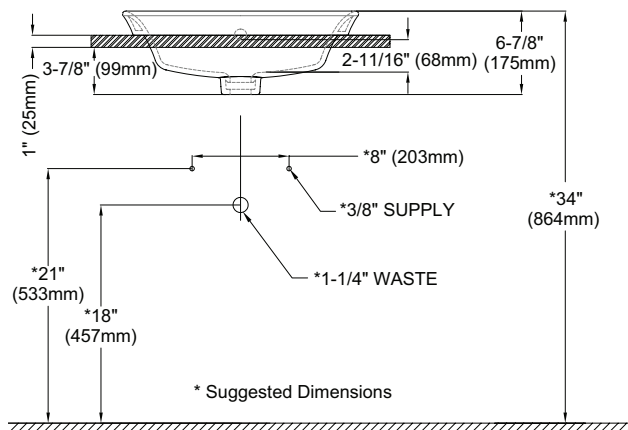
SPECIFICATIONS

- Waste 1-1/4" O.D.
- Size 19-1/2"W x 15-5/32"D
- Basin 18-13/16"W x 14-1/16"D
- Warranty One Year Limited Warranty
- Material Vitreous china
- Shipping Weight 22.6 lbs.
- Shipping Dimensions 22-1/4" x 18-3/4" x 9-3/4"

INSTALLATION NOTES



ADA Compliance



TOTO

These dimensions and specifications are subject to change without notice