

Thermostatic Mixing Valve 2-Function Trim

FEATURES

- For use with MiniUnit™ (TBN01001U)
- Temperature control trim with anti-scald safety stop
- Unobtrusive twist assist for a clean aesthetic
- ASSE certified Safety Thermo™ (SMA) Thermostatic Mixing Valve
- Push button to easily switch between showers

COLORS/FINISHES

- #CP Polished Chrome
- #PN Polished Nickel
- #BN Brushed Nickel

OPTIONAL ACCESSORY

- THP5466#(CP, PN, BN)
Thermostatic Mixing Valve ADA Handle -
Polished Chrome, Polished Nickel, Brushed Nickel

PRODUCT SPECIFICATION

Pressure balance valve trim shall have a lever handle. Product shall be TOTO Model TBV02406U#____. Product shall require TBN01001U MiniUnit (sold separately). Product shall be a temperature control valve and trim with anti-scald safety stop. Product shall be ASSE certified. Not intended for use in new construction or permitted remodel where compliance to the CALGreen Code is necessary.



Safety Thermo™ (SMA)

CODES/STANDARDS

- Meets or exceeds ASSE 1016/ASME A112.1016/CSA B125.16, ASME A112.18.1/CSA B125.1
- Certifications: IAPMO(cUPC), State of Massachusetts, City of Los Angeles, and others
- Code Compliance: UPC, IPC, NSPC, NPC Canada, and others
- Complies with CA Prop 65 warning requirements



TBV02406U

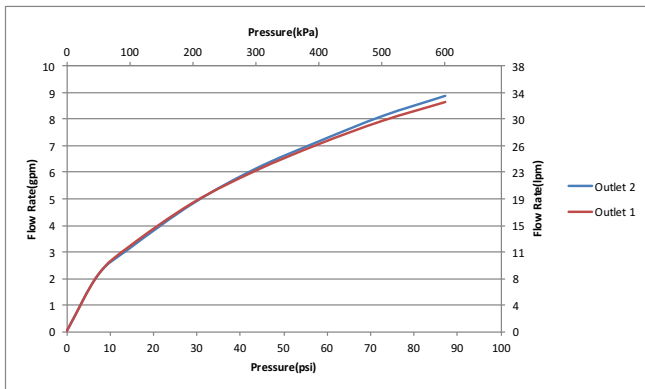
Thermostatic Mixing Valve 2-Function Trim

SPECIFICATIONS

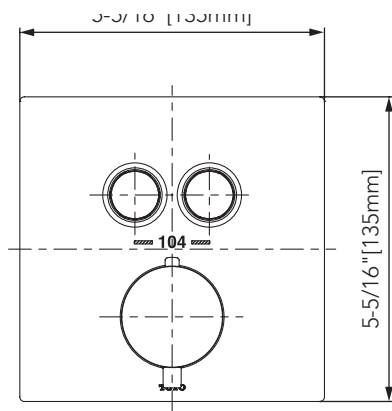
Material	Brass
Warranty	Limited Lifetime (Residential Use) One Year (Commercial Use)
Shipping Weight	5.6 lbs
Shipping Dimensions	9-1/4" x 7-5/8" x 6"

INSTALLATION NOTES

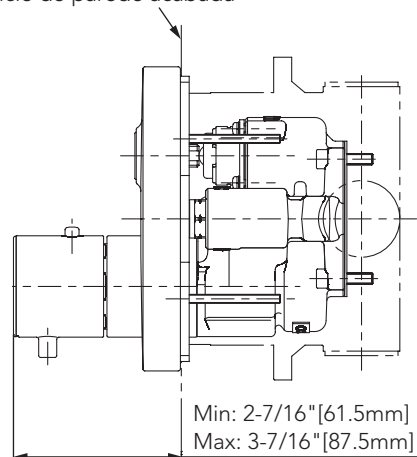
Requires TBN01001U MiniUnit (sold separately).



DIMENSIONS



shed wall surface /
superficie de la pared acabada /
face de muf finie /
superficie de parede acabada



TOTO

Ph: (888) 295-8134 | Fax: (800) 699-4889 | www.totousa.com | © TOTO USA

These dimensions and specifications are subject to change without notice

#SS-01308 v.02