

IoT-Enabled ECOPOWER® High-Efficiency Urinal Flush Valve 0.5 GPF

FEATURES

- 0.5 GPF
- Wireless Communication
- Connects seamlessly with Georgia-Pacific's (GP) KOLO™ Smart Monitoring System and through an API to facilities monitoring platforms
- Service agreement with GP required to enable IoT or Smart Features
- ECOPOWER flush valve's operation is independent of its IoT capability
- Some of the IoT-enabled Smart Features include: failure detection, usage, water consumption, and battery/capacitor charge
- Self-powered hydroelectric flush valve system
- No minimum daily usage requirement
- 4" x 4" brushed stainless steel cover plate with solid bronze valve body
- Neutral rough-in and adjustable tail piece connection
- Self-cleaning piston valve with 360° filter screen
- Manual flush override
- Smart sensor with self-adjusting detection range
- 6-second detection time to prevent ghost flushing
- Protects trap seal with a maintenance flush if not used in a 12 hour period
- *Additional product benefits and features are available by contacting TOTO IoT/Smart Products Experts (or Division) or a TOTO sales representative*

MODELS

- TEU3LAI211#SS
 - TEU3LAI2#SS (0.5 GPF flush valve)
 - VB1311#RB (3/4" vacuum breaker tube, 3/4" angle stop, back spud)
- TEU3LAI212#SS
 - TEU3LAI2#SS (0.5 GPF flush valve)
 - VB0912#RB (3/4" vacuum breaker tube, 3/4" angle stop, top spud)
- TEU3LAI221#SS
 - TEU3LAI2#SS (0.5 GPF flush valve)
 - VB1321#RB (1-1/4" vacuum breaker tube, 3/4" angle stop, back spud)

COLORS/FINISHES

- #SS Stainless Steel

OPTIONAL ACCESSORIES

- Z-4000-J - Adapter for ground joint angle stops

CODES/STANDARDS

- Meets or exceeds ASSE 1037/ASME A112.1037/CSA B125.37
- FCC compliant to Part 15
- Certifications: IAPMO(cUPC), EPA WaterSense, State of Massachusetts, and others
- Code Compliance: UPC, IPC, NSPC, NPC Canada, and others
- ADA compliant
- Complies with CA Prop 65 warning requirements



 **ECOPOWER**

 **Auto Flush**



Piston Valve

PRODUCT SPECIFICATION

TOTO® Model No. _____
 Product shall be 0.5 GPF. Product shall be an automatic infrared sensor-activated, urinal flush valve. Product shall use hydropower, ECOPOWER flush valve system. Product shall have 4" x 4" cover plate with brushed stainless steel finish. Product shall have adjustable tail piece connection. Product shall have neutral rough. Product shall have smart sensor with self-adjusting detection range. Product shall have manual flush override. Product shall have 6-second detection time to prevent ghost flushing. Product shall have piston with debris screen and solenoid with self-cleaning mechanism. Product shall be ADA compliant.

TEU3LAI2

IoT-Enabled ECOPOWER® High-Efficiency Urinal Flush Valve, 0.5 GPF

SPECIFICATIONS

- Material: Bronze casting
- Power supply: ECOPOWER
- Sensor detection time: Factory setting at six (6) seconds minimum
- Sensor detection range: Self-adjusting to environment
- Discharge quantity: Preset to 0.5 GPF
- Operating temperature: 32°-104°F (0°-40°C)
- Water Source: Tap water (Municipal Supply only)
- Water supply pressure: 15 psi - 125 psi*
- Water supply connection: 3/4" NPT
- Warranty: Three year limited

*Water pressures over 80 psi are not recommended for most plumbing fixtures. Check your local plumbing code for details.

INSTALLATION NOTES

For commercial applications only.
Warning: Failure to properly adjust angle stop to the appropriate level can potentially cause property damage.

For detailed installation instructions, please refer to the installation manual.

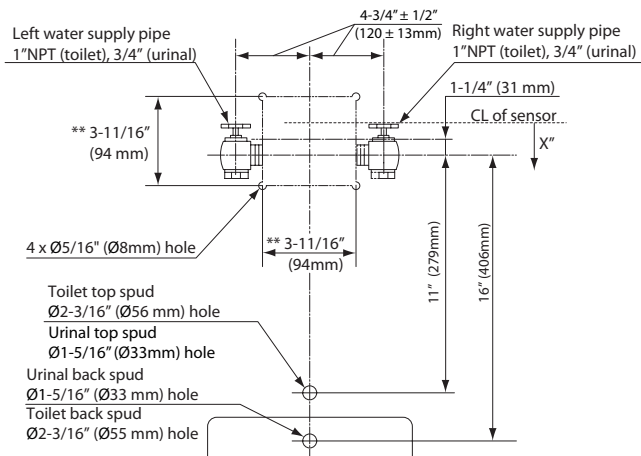
Max flow rate to be used with TEU3LAI2: 0.5 GPF

Confirm with local codes and standards for floor drain requirement. Adjust control stop for proper flow rate to the fixture.

The flush valve must remain accessible for maintenance and service purposes. An access panel at least 12" x 12" or a walk-in chase is required. Do not position ADA grab bars in front of the sensor. The flush valve requires a minimum of 7" (178mm) depth in the wall.

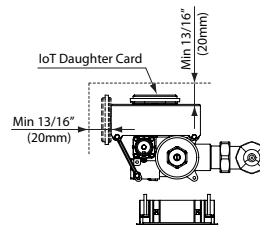
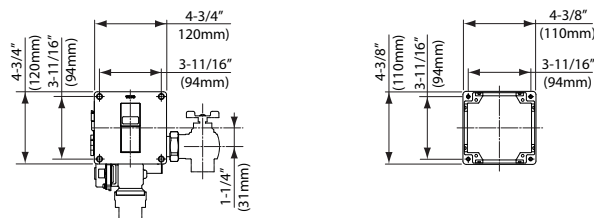
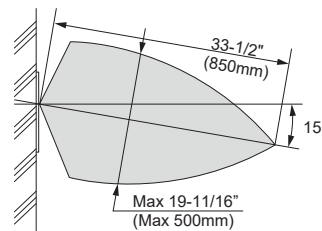
A minimum of 13/16" (20mm) clearance around the controller case is required for IoT daughter card installation. Please refer to the diagram below.

DIAGRAM



* X, ± = At least 5" clearance from sensor to tip of toilet seat up position or to top of grab bar is required to avoid false detection.

** Opening in wall



TOTO

These dimensions and specifications are subject to change without notice