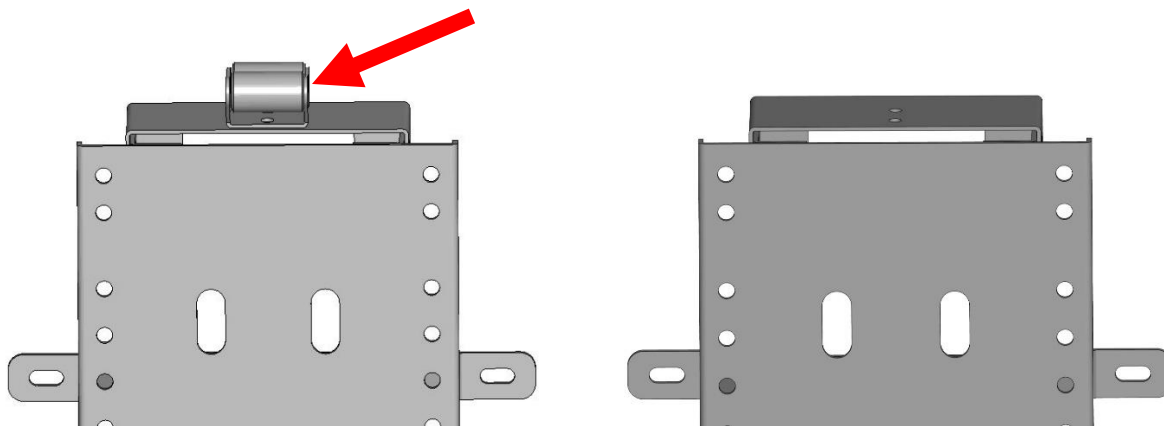


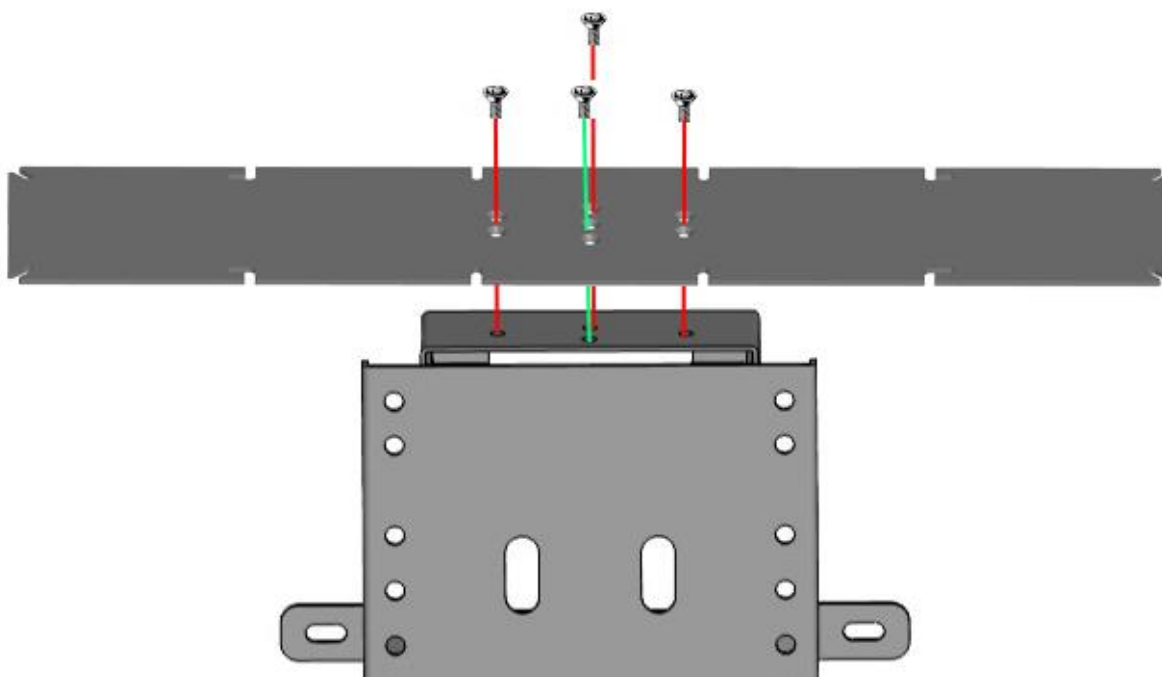
Installing Flat Top Lid Mount – Whisper Lift II and Whisper Lift II PRO

Instructions

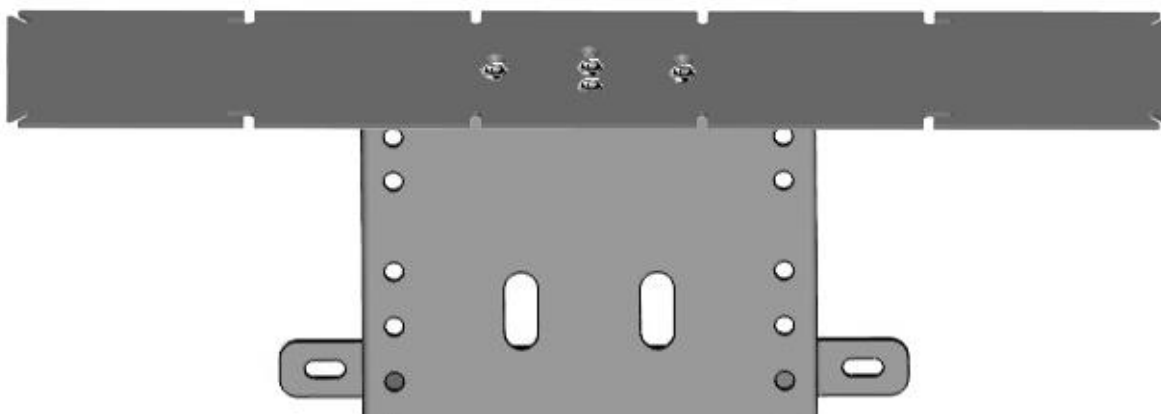
1. Remove the roller from the top of the lift.



2. Once the roller is removed, install the flat top lid mount to the adjustable top bracket with the screws provided with the lid mount.



3. Once the lid mount is installed, attach your lid to the lid mount.



****If you have any questions, contact the technical support department at Touchstone Home Products at 800-215-1990.**