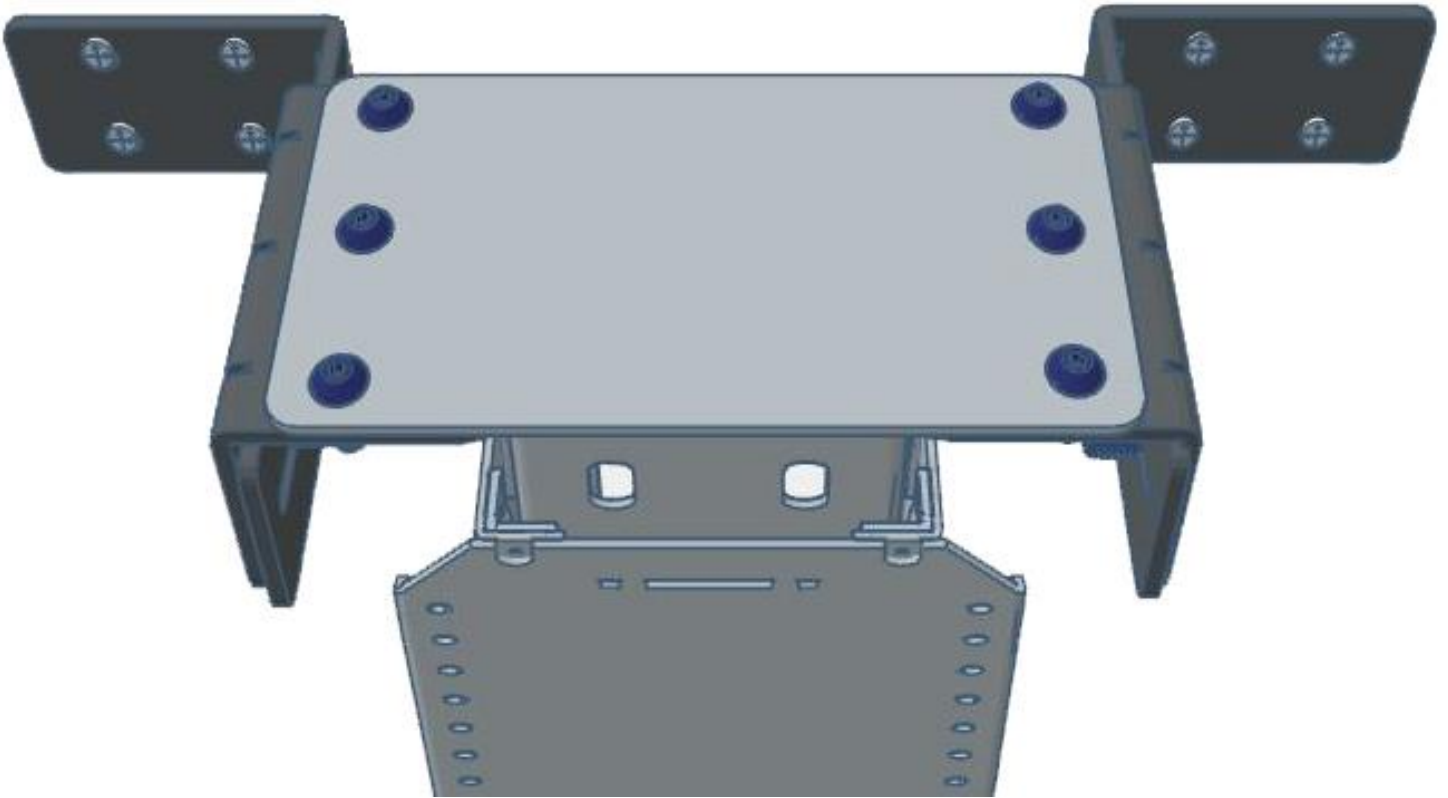


## Whisper Lift II TV Lift Drop-Down Bracket Installation Instructions



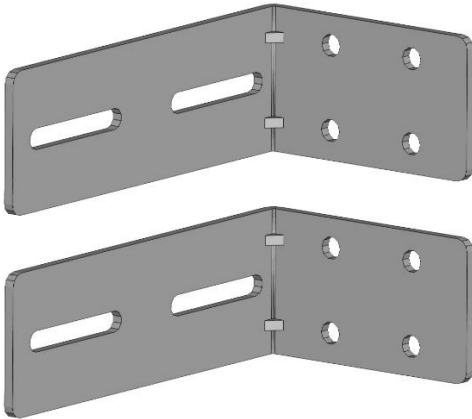
**PREMIUM  
ELECTRIC FIREPLACES  
& TV LIFTS**

Exceeding Expectations

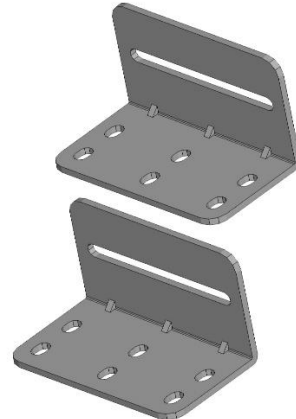
## Table of Contents

**Parts Included** ..... 3  
**Tools Required** ..... 3  
**Safety** ..... 5  
    **IMPORTANT SAFETY and PRE-INSTALLATION INSTRUCTIONS**..... 5  
**Assembling Drop Down Lift Brackets** ..... 6  
**Attaching Drop-Down Brackets to Lift**..... 8  
**Mounting Drop-Down Lift Brackets and Lift**..... 9  
**Warranty** ..... 11

## Parts Included



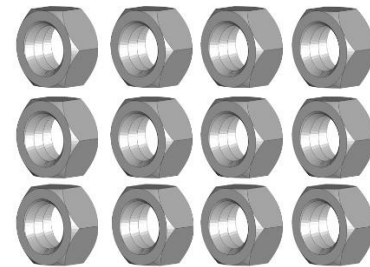
Wall-Side Brackets – 2



Lift Side Brackets - 2



Bolts – 12



Nuts - 12

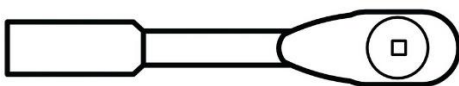
## Tools Required

The following tools are required to assemble the drop-down lift brackets:

- M5 Hex Wrench

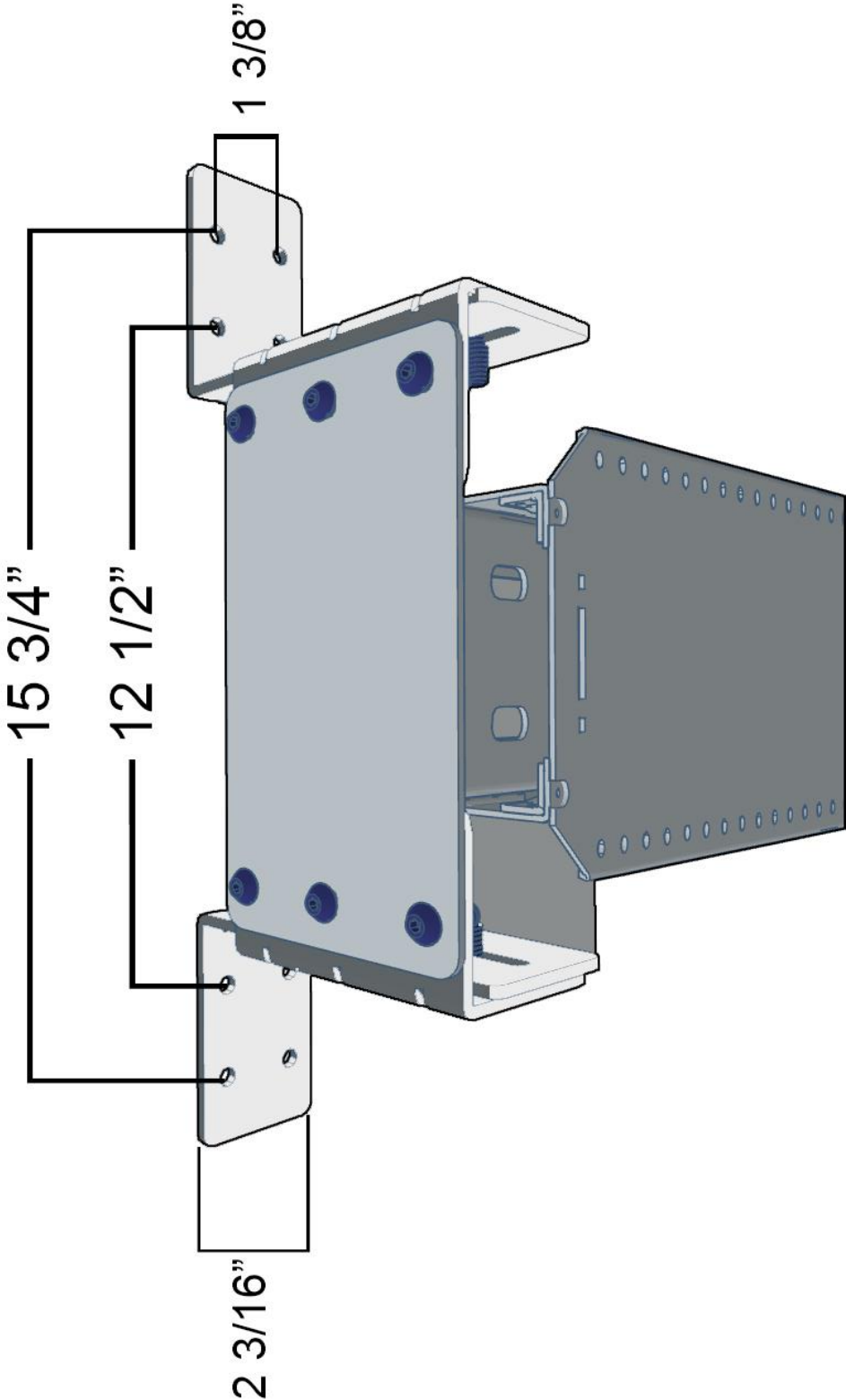


- Socket Wrench with 13mm head



 13mm

## Dimensional Diagram



## Safety

These drop-down brackets are ONLY designed for use with the following Touchstone Home Products TV Lift Mechanisms:

- 23202 – Whisper Lift II TV Lift
- 23401 – Whisper Lift II PRO TV Lift
- 23501 – Whisper Lift II PRO Swivel TV Lift
- 23601 – Whisper Lift XL PRO TV Lift

The brackets are NOT designed to work with any other Touchstone Home Products TV Lift Mechanism or any other brand of TV lift. Touchstone Home Products is not responsible for damages caused by misuse of these drop down TV lift brackets or use with any other TV Lift Mechanism other than those mentioned above.

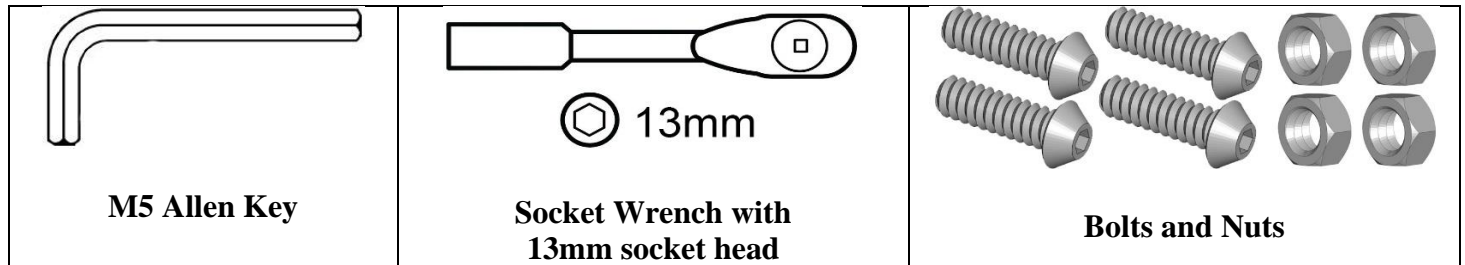
## IMPORTANT SAFETY and PRE-INSTALLATION INSTRUCTIONS

1. Please adhere to the proper installation procedure as detailed in the installation instructions.
2. Safety precaution measures must be practiced at all times during installation of this product.
3. The entire installation instructions should be fully read and understood before beginning installation.
4. At least two people should be available to mount the lift and assembled brackets.. Please take care when mounting the brackets and lift, as injury and/or damage can result from dropping or mishandling of the TV lift.
5. Carefully measure all dimensions before proceeding. Please consult your TV Lift manual for TV opening dimension requirements.
6. All cords connecting components to the TV should be a minimum of 72” (6 feet) in length when installing components inside of a cabinet or a minimum of 144” (12 feet) in length when installing components outside of cabinet (length of cable will depend on placement of your component).

Contact Touchstone Customer Service at 1-800-215-1990 with any questions regarding the operation installation of the Drop-Down Lift Brackets. We are also available on the web at [www.touchstonehomeproducts.com](http://www.touchstonehomeproducts.com)

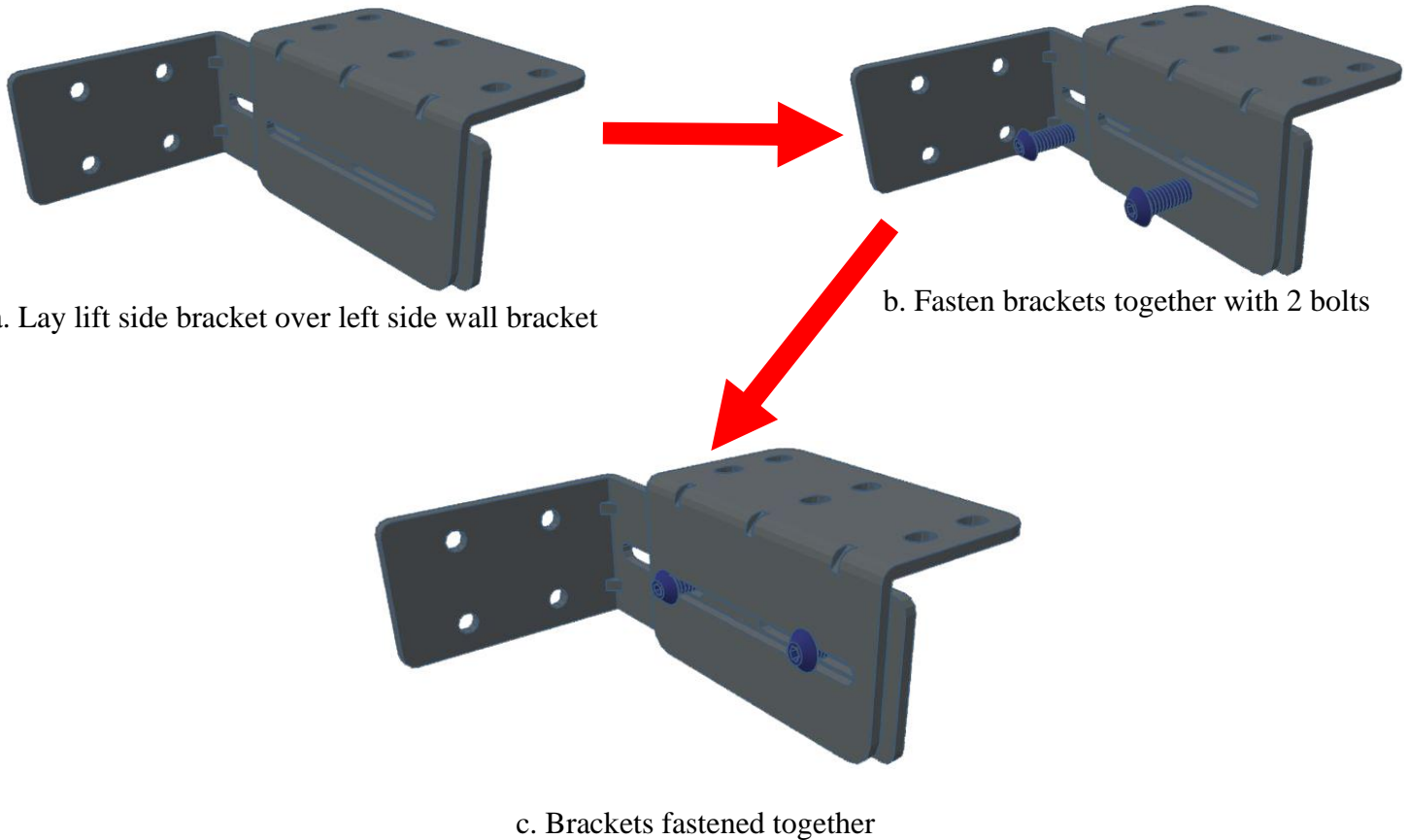
## Assembling Drop Down Lift Brackets

### Tools Needed:



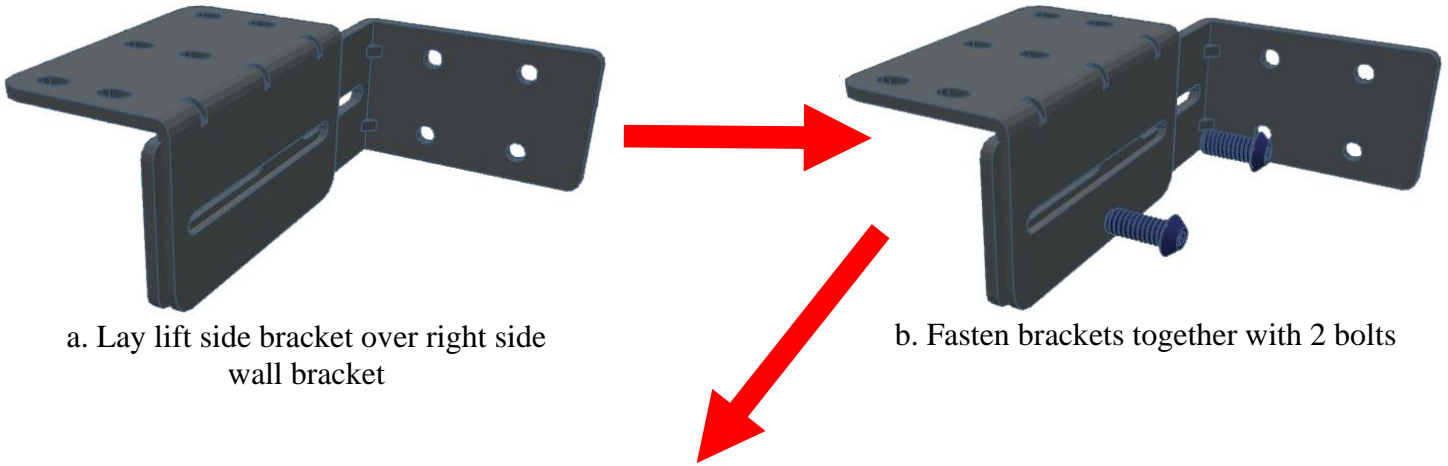
### Instructions:

1. Separate all parts as shown in Parts Section on p. of this manual.
2. Attach the lift side bracket to the left wall side bracket as shown below. Fasten the lift side bracket to the left wall side bracket using 2 of the bolts and nuts provide.



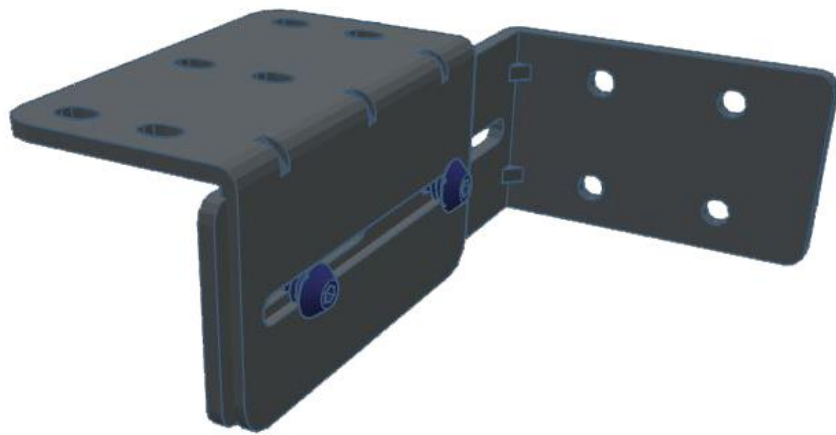
## Drop-Down Lift Bracket Assembly – cont.

3. Attach the lift side bracket to the right wall side bracket as shown below.



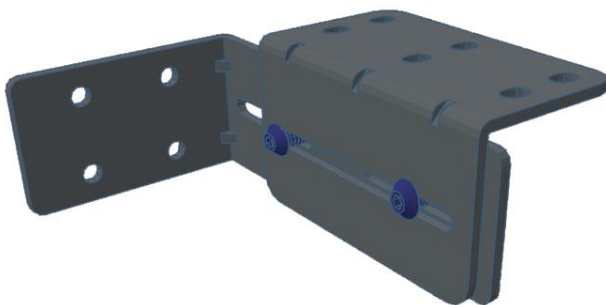
a. Lay lift side bracket over right side wall bracket

b. Fasten brackets together with 2 bolts

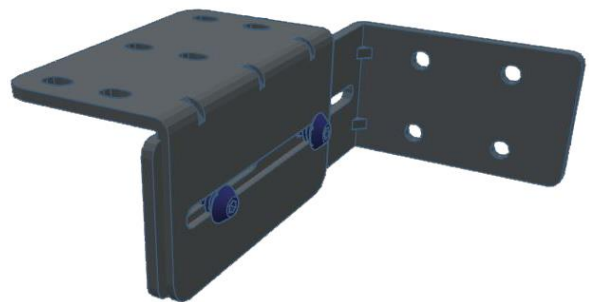


c. Brackets fastened together

- Both brackets fully assembled



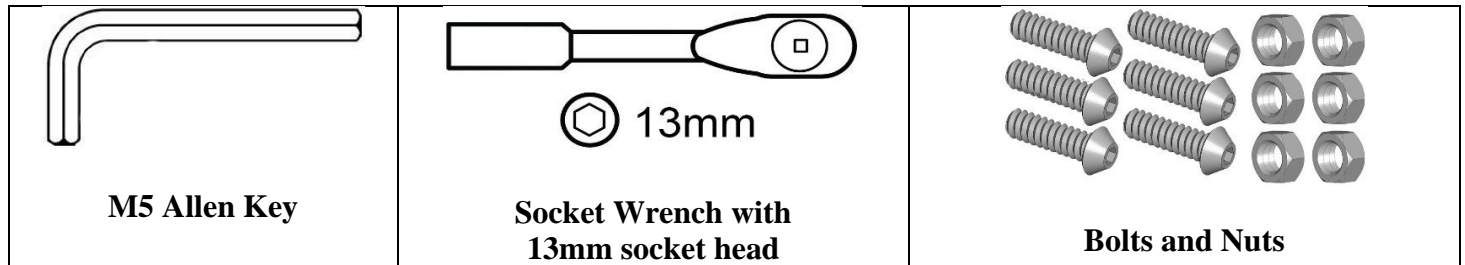
Left Bracket Assembled



Right Bracket Assembled

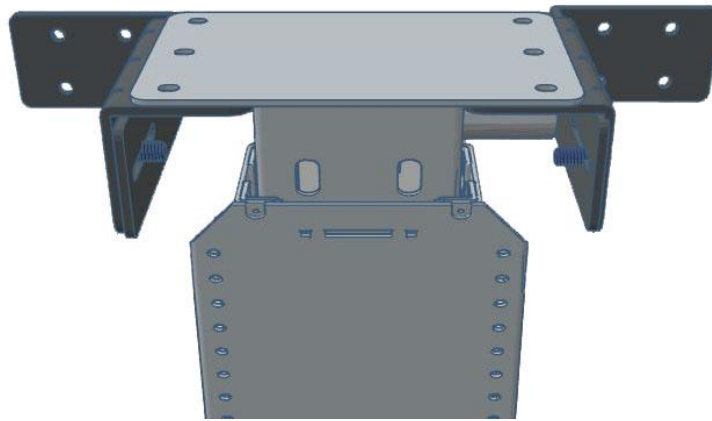
## Attaching Drop-Down Brackets to Lift

### Tools Needed:

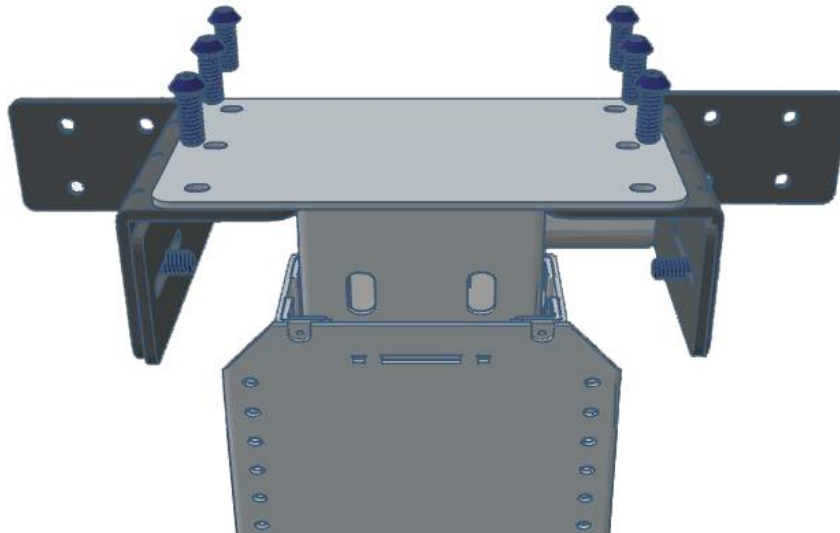


### Instructions:

1. Turn the lift upside-down and attach both the left side brackets and right side brackets to the lift. Place drop down brackets under base of lift so base of lift is on top of the brackets.



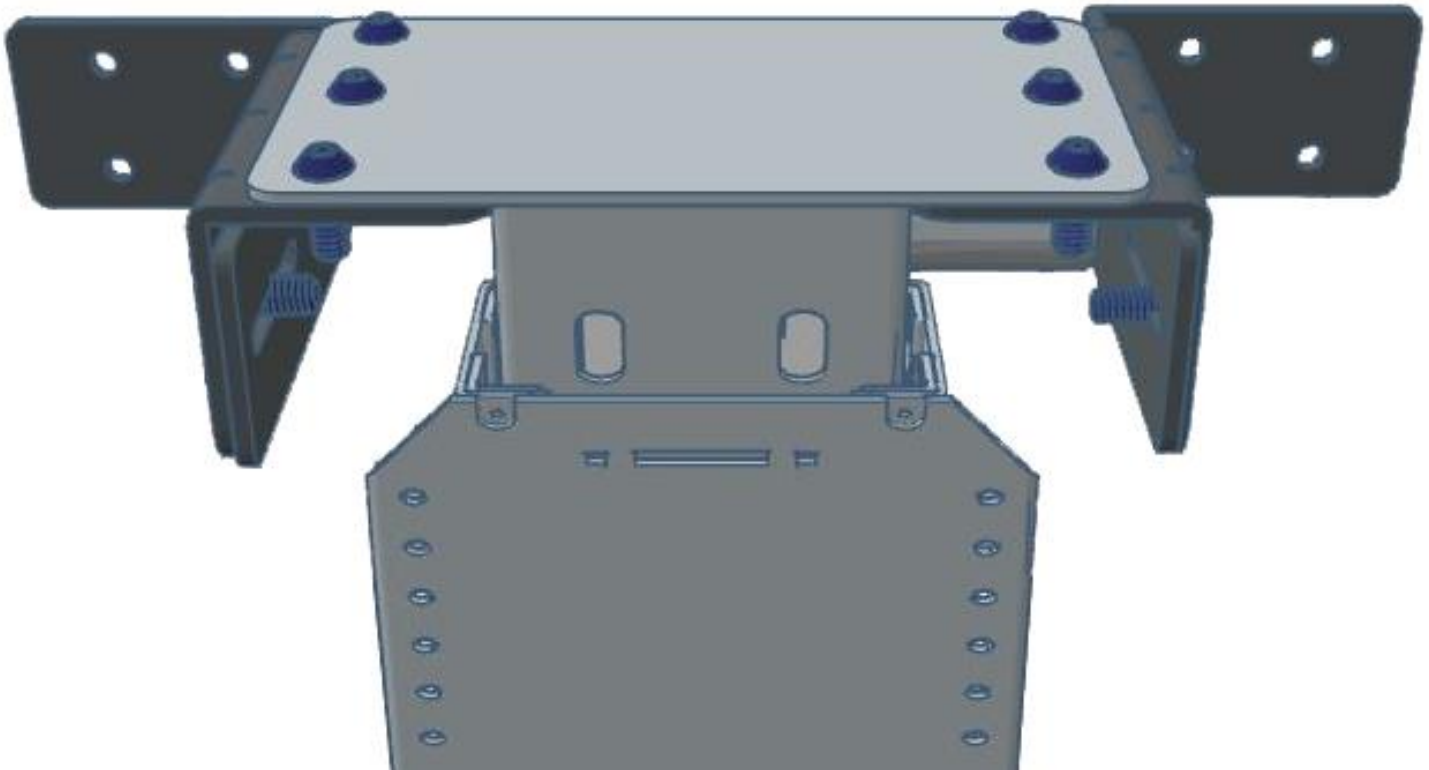
2. Using 6 bolts and nuts, attach the bolts and nuts through the lift base and into the drop down brackets.






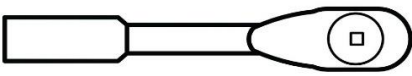
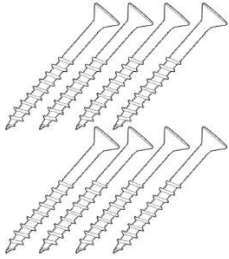
## Attaching Drop Down Brackets to Lift – cont.

3. Once the brackets are attached to the lift, the lift is ready for mounting.



## Mounting Drop-Down Lift Brackets and Lift

*Tools Needed:*

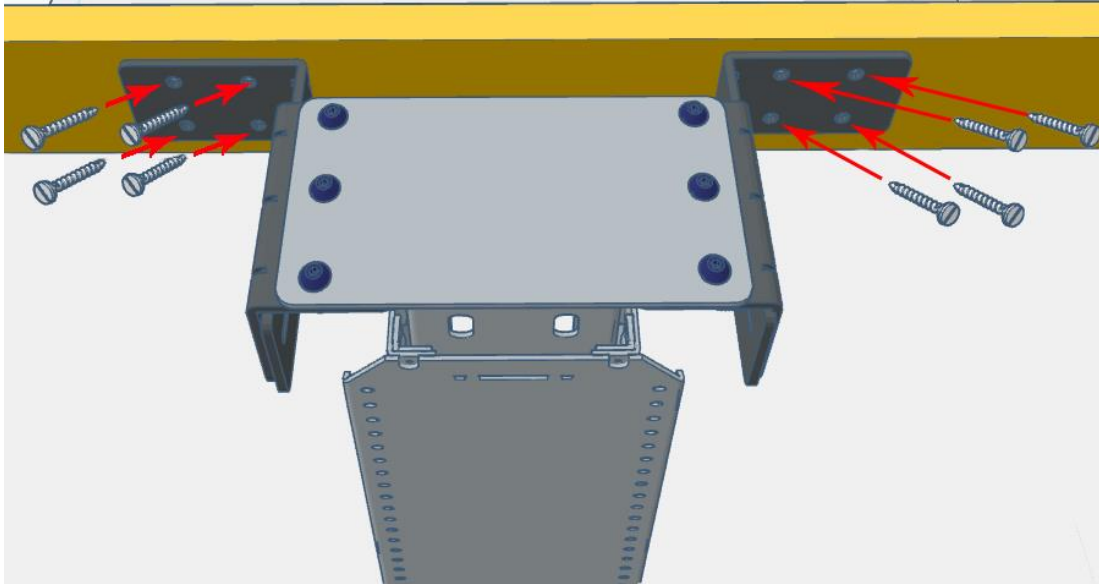
 <p>M5 Allen Key</p>	 <p>13mm</p> <p>Socket Wrench with 13mm socket head</p>	 <p>Screws or Bolts - 8 (not provided)</p>
---	--	---

**\*\*Note:** As the brackets can be mounted to many different surfaces, screws or bolts for fastening the Drop-Down brackets and lift to your wall surface are not provided. Please use a type of screw or bolt that supports the weight of the brackets, lift, and your TV and components combined.

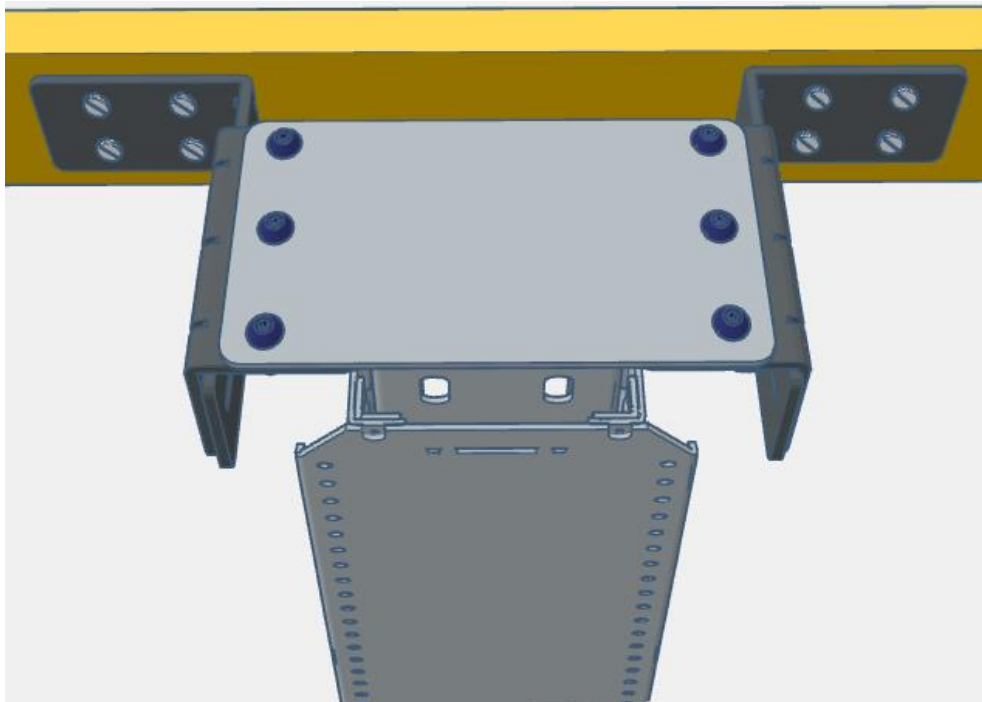
## Mounting Drop-Down Lift Brackets and Lift – cont.

### *Instructions:*

1. With the help of the 2<sup>nd</sup> person, have 1 person hold the lift in the position that you want to mount the lift and secure the lift to that spot that you will be mounting the lift using 8 screws or bolts that you have provided.



2. Once the lift is secured to your mounting spot, the lift is now ready for use.



---

## Technical Support

Should you have any problems with your Touchstone Home Products Drop-Down TV Lift Brackets, our technical support staff is here to help. Our technical support reps are available for phone assistance at 1-800-215-1990 Monday to Friday, from 8:00am to 5:00pm EST. We also can be reached via email at [support@touchstonehomeproducts.com](mailto:support@touchstonehomeproducts.com)

## Warranty

Touchstone Home Products warrants the Drop-Down TV Lift Brackets to be free from defects in material and workmanship for two years from date of purchase. The warranty includes all parts, motorized components, electronics, and metal. If the Drop-Down TV Lift Brackets proves to be defective in material or workmanship during the warranty period, Touchstone Home Products will replace the defective part free of charge. The replacement part will then be covered by the balance of the time remaining on the customer's original warranty.

Touchstone Home Products' warranty does NOT cover: any product on which the serial number has been defaced, modified or removed; damage, deterioration or malfunction resulting from accident, misuse, neglect, power surges, fire, water, lighting, or other acts of nature, unauthorized product modification, failure to follow instructions supplied with the product, repair or attempted repair by anyone not authorized by Touchstone Home Products, causes external to the product such as electric power fluctuations or failure, use of supplies or parts not meeting Touchstone Home Products specifications, or any other cause which does not relate to a product defect.

 **CALL US FIRST!**   
**DO NOT RETURN TO STORE.**

For immediate help with assembly, product information,  
or if your product arrives damaged, call our toll-free number at

**800-215-1990**

or email:

[customerservice@thpus.com](mailto:customerservice@thpus.com)

**Our staff is ready to provide assistance.**