

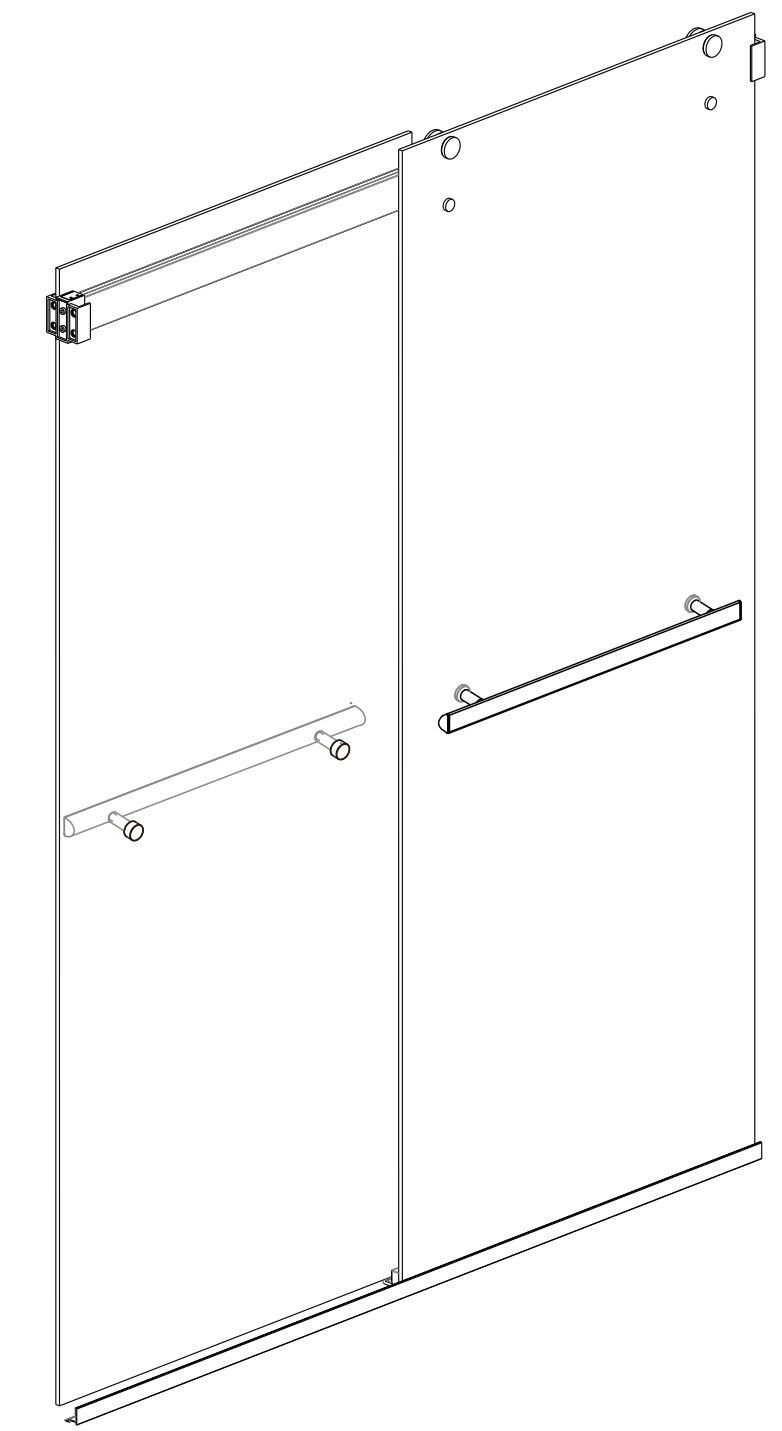


Vinnova Inc.

INSTALLATION SPECIFICATION

Item No.	301048-BP-MB
Description	By-pass
Overall Dimensions	48"x76"
Installation Size Range	44"-48"
Profile Color	Matt Black
Glass Thickness	8/25"
Glass Color	Transparent&Easy clean
Gross Weight	119 LBS
Certifications	ANSI Z97.1-2015

All measurements are approximate. Measurements may vary +/- 1/25".



Spezia
By-pass

